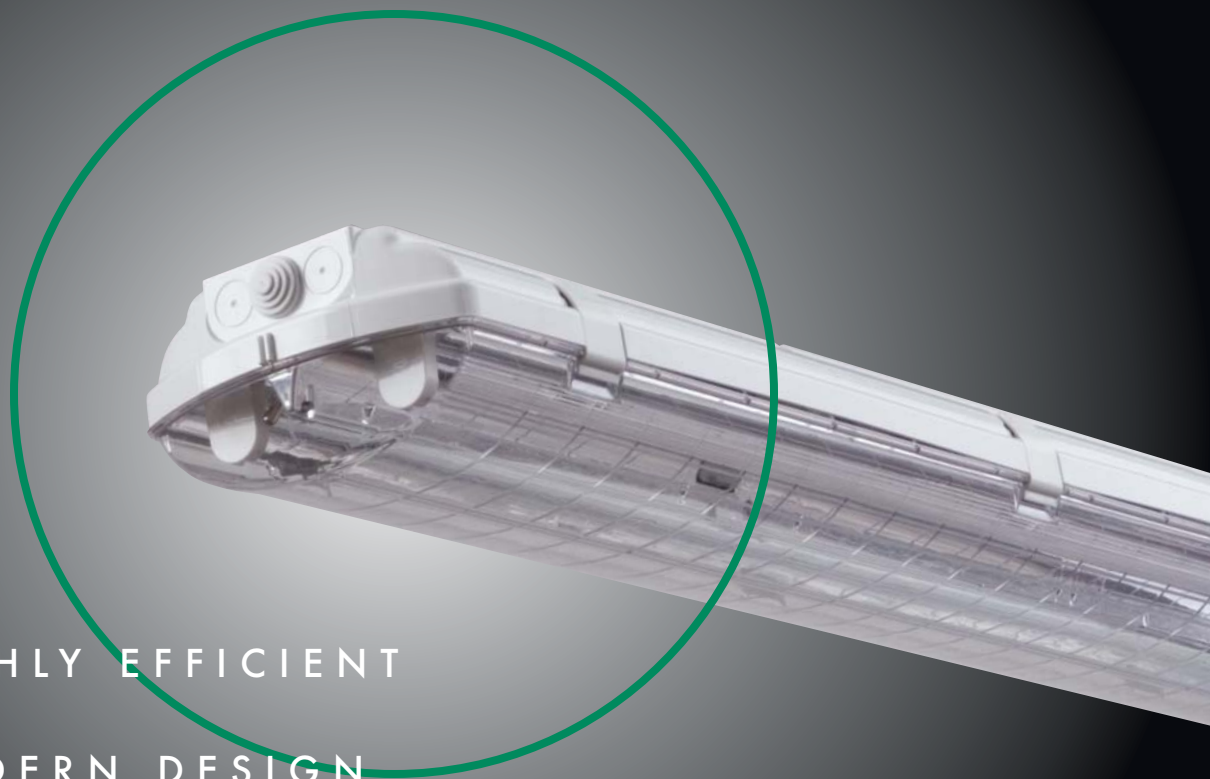


CONTROLUME

Performance Plus!



- HIGHLY EFFICIENT
- MODERN DESIGN
- EASY INSTALLATION
- ENERGY SAVING

CONTROLUME

The Controlume Series is ideal for harsh or wet environments where materials such as steel and aluminum may deteriorate. Applications requiring emergency power, impact resistance, battery backup, instant-on starting or hot-restrike such as storage areas, water treatment plants, industrial spaces, parking garages, waste-water treatment facilities or locker rooms will find this luminaire to be the fixture of choice.



Features

- Self extinguishing, lightweight and durable polycarbonate housing construction with a poured silicon gasket that is "hot-bonded" to the housing during manufacturing provides excellent moisture and dust penetration resistance.
- Innovative C.L.E. (complete light emission) UV stabilized clear diffuser made of 100% polycarbonate material with clean architectural styling incorporates excellent impact resistance.
- Dual concave parabolic reflector with a vacuum metalized finish.
- Available in 2' and 4' nominal lengths in T8, T5 or T5HO lamp sources.
- Flush fitting, integral and captive non-corrosive fiberglass reinforced clips are not prone to rust.
- The Controlume Series is configurable with multiple modes of operation: AC only mode, Emergency only mode or AC and Emergency mode.
- UL listed in the U.S. and Canada for wet locations in environments up to 60°C. IP66 rated.

Ordering Data

How to Construct a Catalog Number

Example:

CTL	4	HT	0	254	12	F1
1	2	3	4	5	6	7
LUMINAIRE	NOMINAL LENGTH	OPERATION	EMERGENCY LAMP QTY.	LAMP CONFIGURATION	VOLTAGE	OPTIONS
CTL	2 4	HT SE SA	0 1 2	217 214 224 232 228 254	12 27 34 U	F1

Catalog number information

STEP 1: LUMINAIRE
CTL Controlume  

STEP 2: NOMINAL LENGTH
2 2 feet 4 4 feet
STEP 3: OPERATION
HT AC operation only SE Emergency operation only SA AC and emergency operation only

STEP 4: EMERGENCY LAMP QTY.
0 2 lamp AC 1 1 lamp Emergency 2 2 lamp Emergency
STEP 5: LAMP CONFIGURATION
217 2 lamp, T8, 17W 214 2 lamp, T5, 14W 224 2 lamp, T5HO, 24W 232 2 lamp, T8, 32W 228 2 lamp, T5, 28W 254 2 lamp, T5HO, 54W

STEP 6: VOLTAGE
12 120V C/U/L/U/S 27 277V C/U/L/U/S 34 347V C/U/L/U/S U Dual voltage 120V and 277V
STEP 7: OPTIONS
F1 Single fusing

Not all photometric configurations are available with every lamp configuration
 Not all ballast types and quantities are available with every lamp configuration
 Contact your sales representative for more information

Specifications

Housing: Lightweight and durable polycarbonate construction with a poured silicon gasket that is "hot-bonded" to the housing during manufacturing. Anti-aging, expanded polyurethane gasketing and fiberglass reinforced closure clips. 1/2" conduit knockouts are provided on each end.

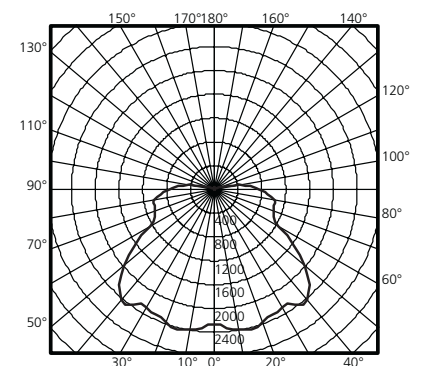
Optics: Computer designed, dual concave high efficiency reflector with a vacuum metalized finish.

Lamps: (2) T8, (2) T5 or (2) T5HO lamps are secured with rotary locking lampholders.

Electrical: UL/CUL labeled for wet location. IP66 rated. Fixture is suitable for ambient temperatures up to 60°C. Fully wired with universal voltage, 60Hz AC, thermally protected, Class P, high power factor, non-PCB, Sound rated A, programmed start, electronic T5 or T5HO ballast or electronic universal voltage T8 ballasts. Emergency ballasts and protective fusing are optional.

Mounting: The Controlume Series is designed to be ceiling, wall, rail, pendant or chain mounted. Suitable for wet locations.

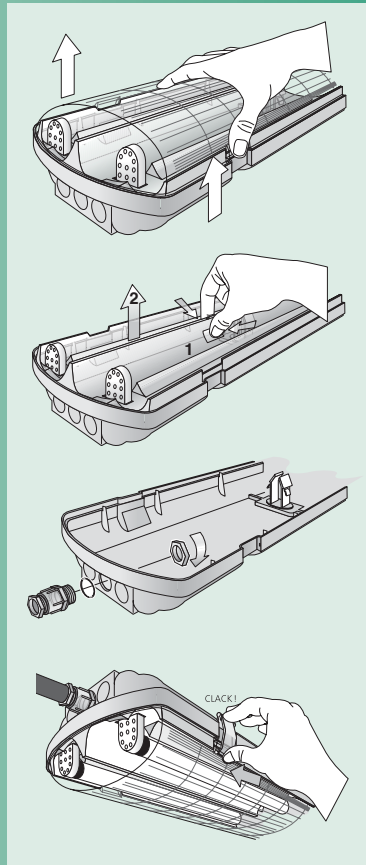
Finish: The Controlume Series is available with off-white polycarbonate housing and clear polycarbonate lens.



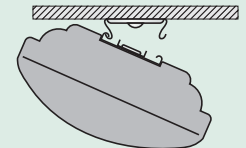
CTL4HT0254
 SC Across: 1.6, SC Along: 1.3

Fixture Detail

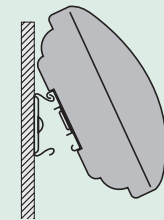
The Controlume is easy to install and maintain. The three-piece design (lens, reflector, housing) fit together to form a weather-proof seal and durable luminaire. The no tool design allows for the industry's easiest installation. (See drawing at right.) Simply remove the high-output lens by opening the flush polycarbonate clips (2ft = 4 clips / 4ft = 8 clips). Remove the high-efficiency reflector from the housing by pinching the two (2) pressure clips together and lifting the reflector away from the housing. (Note: the reflector can be hung from the housing using the incorporated service bracket.) Wiring of the electronic ballast can now be accomplished. 1/2" conduit knockouts are provided on each end of the housing. Other housing entry points can be used for mounting variations. Finally, snap the reflector back in place, secure the high-output lens and lock down the closure clips.



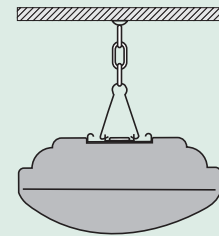
Mounting Configurations



Ceiling



Wall



Suspension



An AcuityBrands Company

Acuity Lighting Group, Inc.

214 Oakwood Ave., Newark, OH 43055 /
Holophane Canada, Inc. 9040 Leslie Street, Suite
208, Richmond Hill, ON L4B 3M4 / Holophane
Europe Limited, Bond Ave., Milton Keynes MK1
1JG, England / Holophane, S.A. de C.V., Apartado
Postal No. 986, Naucalpan de Juarez, 53000 Edo.
de Mexico

Visit our web site at www.holophane.com