

GR1664

AFTER INSTALLATION DELIVER THIS MANUAL TO OWNER

IMPORTANT SAFETY INSTRUCTIONS

WARNING – READ THESE INSTRUCTIONS CAREFULLY BEFORE ATTEMPTING TO INSTALL OR MAINTAIN THIS FIXTURE. WORK MUST BE DONE BY QUALIFIED PERSONNEL.

WARNING – BE CERTAIN THAT ALL ELECTRICAL POWER IS DISCONNECTED FROM THE FIXTURE BEFORE INSTALLING OR MAINTAINING THE FIXTURE.

WARNING – FOLLOW LAMP MANUFACTURER'S OPERATING AND MAINTENANCE INSTRUCTIONS.

**FAILURE TO FOLLOW THESE WARNINGS MAY RESULT
IN DEATH, INJURY OR SIGNIFICANT PROPERTY
DAMAGE.**

1 INTRODUCTION

1.1 Product Description.

- The GranVille Micro is a wall mount light fixture that allows the use of a 75W max incandescent lamp or a self ballasted CFL 20 max.
- The glass optics can be removed without tools.
- The mounting plate is designed to mount directly to either a 4 X 2 or 4 X 4 electrical outlet box.
- The glass optics is provided with two decorative Finials with the option of three different appearances.

1.2 Alternate Information Sources.

Holophane
Field Service Department
P.O. Box 3004
Newark, OH 43058-3004
(740) 345-9631

2 INSTALLATION

2.1 Tools and Materials Required.

TABLE 1. Installation Tools and Materials

| DESCRIPTION | USE |
|----------------------|----------------------|
| Flathead Screwdriver | Screws |
| Phillips Screwdriver | Screws |
| Wire Nuts | Twist wires together |

2.2 Electrical Assembly Installation

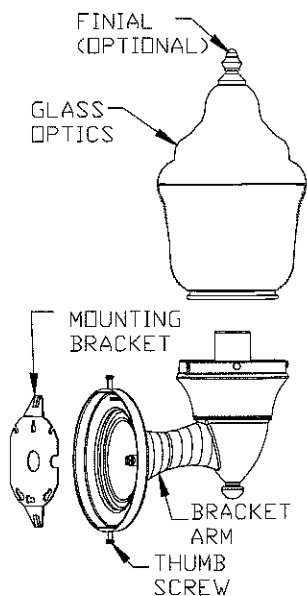
2.2.1 Feed electrical supply wire through center hole of mounting bracket. Attach mounting bracket to electrical outlet box with screws provided with the outlet box. Fasten securely. See Figure 1

2.2.2 Connect electrical wires together with suitable connectors. Connect the supply wires to the fixture wires. Green supply wire to green fixture wire. White supply wire to white fixture wire. Black supply wire to black fixture wire.

2.2.3 Position bracket arm onto the mounting bracket. Ensure no wires are in any pinch points and tighten securely to engage mounting bracket with two thumb screws provided. See Figure 2

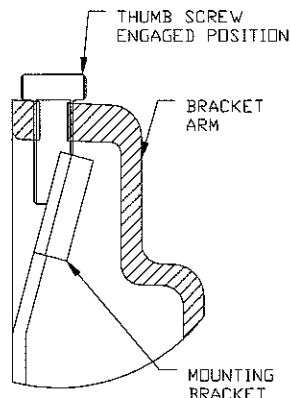
2.2.4 Install appropriate lamp.

Figure 1



GR1683

Figure 2



GR1684

4 Limited Warranty and Limitation of Liability

The Holophane limited warranty and limitation of liability is published in the Holophane Buyers Guide and is available from your local Holophane sales representative.

2.3 Optical Assembly Installation. Two Decorative Finials are provided.

- 2.3.1 If a decorative Finial is desired, install by removing liner from double sided tape disc attached to bottom of Finial.
- 2.3.2 Center Finial over top of glass optic and press onto glass.
- 2.3.3 Position glass optics onto bracket arm. Center and tighten the three thumb screws evenly to secure glass. **HAND TIGHTEN ONLY.** Verify screws engage lip of glass optics. See Figure 1.
- 2.3.4 Electrically energize fixture and ensure proper operation.

3 MAINTENANCE

3.1. Relamping and cleaning.

- 3.1.1 Wipe off exterior dirt from glass.
- 3.1.2 Loosen thumb screws.
- 3.1.3 Remove glass optics and set aside.
- 3.1.4 Re-install proper lamp.
- 3.1.5 Position glass optics onto bracket arm. Center and tighten the three thumb screws evenly to secure glass. **HAND TIGHTEN ONLY.**

