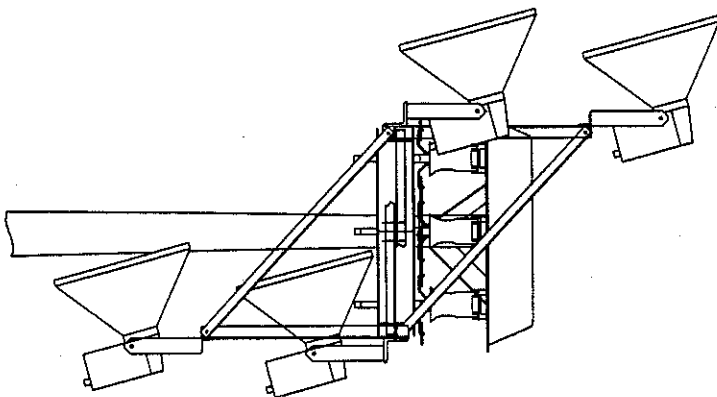
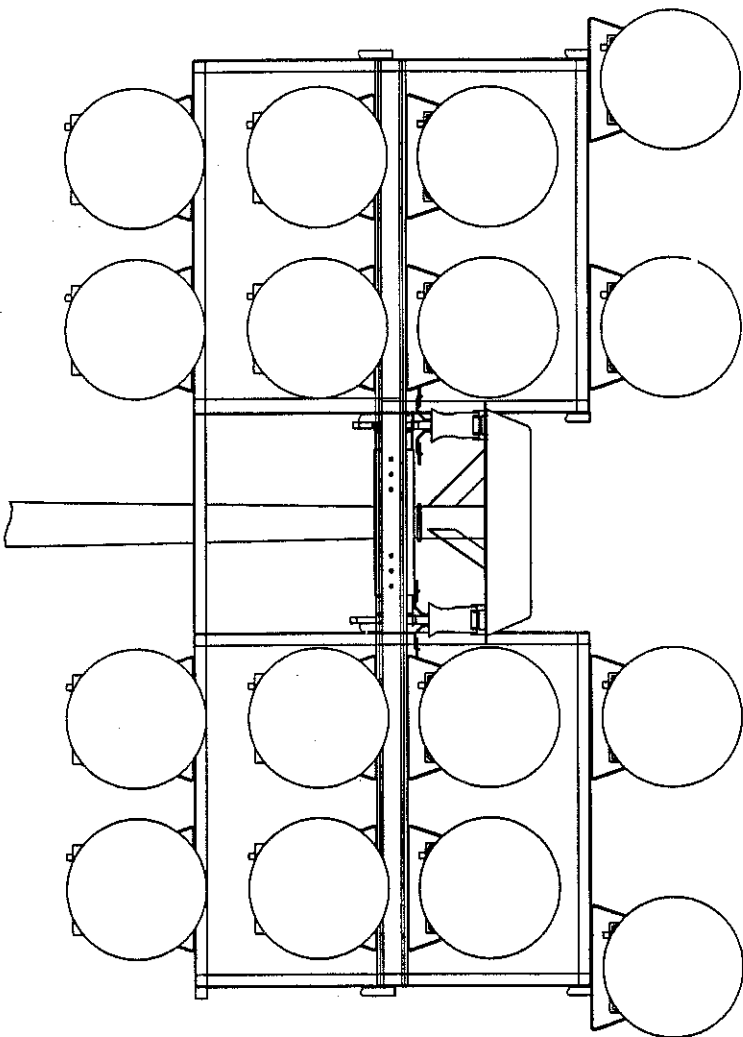


**HOLOPHANE®**

SPORTCAGE



THIS PRINT IS THE CONFIDENTIAL PROPERTY OF  
HOLOPHANE AND IS LOANED SUBJECT TO RETURN  
UPON DEMAND AND UPON EXPRESS CONDITION THAT  
IT WILL NOT BE DISCLOSED TO ANY THIRD PARTY  
WITHOUT THE PRIOR WRITTEN PERMISSION OF  
HOLOPHANE OR USED DIRECTLY OR INDIRECTLY IN  
ANY WAY DETRIMENTAL TO THE INTEREST OF  
HOLOPHANE A DIVISION OF NATIONAL SERVICE  
INDUSTRIES, INC.



**HOLOPHANE**

LEADER IN LIGHTING SOLUTIONS

214 OAKWOOD AVE  
NEWARK, OH 43055

ORDER NO: \_\_\_\_\_

TYPE: \_\_\_\_\_

DRAWING NO: \_\_\_\_\_

CAD MODEL: \_\_\_\_\_

DATE: \_\_\_\_\_

SPORTCAGE.DWG

3/18/02

1 OF 1

