



FEATURES & SPECIFICATIONS

INTENDED USE — The HES series parking garage luminaire provides uniformity illuminated space while creating comfort by directing light away from the driving lane. The non-metallic housing desing incorporates added durability and corrosion resistance. **Certain airborne contaminants can diminish integrity of acrylic.** [Click here for Acrylic Environmental Compatibility table, for suitable uses.](#)

CONSTRUCTION — Housing is gasketed fiberglass enclosure that is dust and moisture resistant. Standard shatter-resistant polycarbonate lens is held in place by latches that secure a continuous seal. Internal channel, ends and socket brackets are manufactured from 22-gauge cold rolled steel. Riveted and screwed assembly. Tool-less ballast and wiring access.

Fully gasketed housings with nylon latches is IP65 rated and wet location UL listed, optional stainless steel latches are available. Standard clear lens is high-impact acrylic material. Luminaire desing are engineered for heat management and tested in an in-house thermal chamber for environments up to 40°C ambient temperature. Fixtures are available with normal beam optics for increasing lighting levels at entrances, elevator lobbies pedestrian waiting areas and stairwells.

Standard finish for metal parts are high gloss white baked enamel, pretreated with a five-stage iron phosphate system.

High-impact acrylic lens, 50% DR.

OPTICS — Precision-formed, high-performance, 95% total reflectance, segmented optics utilizing Alanod MIRO® 4 specular aluminum warranted for 25 years.

Factory-installed lamps are available in various CRI ratings, temperature colors and rated life.

ELECTRICAL — UL listed wire, rated for required temperatures, used throughout. Lamps are secured with rotary locking lamp sockets for ease of relamping and to reduce lamps disconnecting due to vibration or incidental contact. Luminaire is bi-national listed (UL 1598 and CSA C22.2 No. 250.0-00) and is suitable for wet locations.

All standard ballasts are electronic, energy saving, thermally protected, Class-P,

Catalog Number	
Notes	Type



HES

Enclosed and Gasketed Industrial
T5HO and T8 Lamps

HPF, non-PCB, Sound Rated A, UL/CSA certified where applicable and comply with Federal Ballast Law (Public Law 100-357, 1988). Default ballast configuration is for two-lamp ballasts except for one-lamp fixtures.

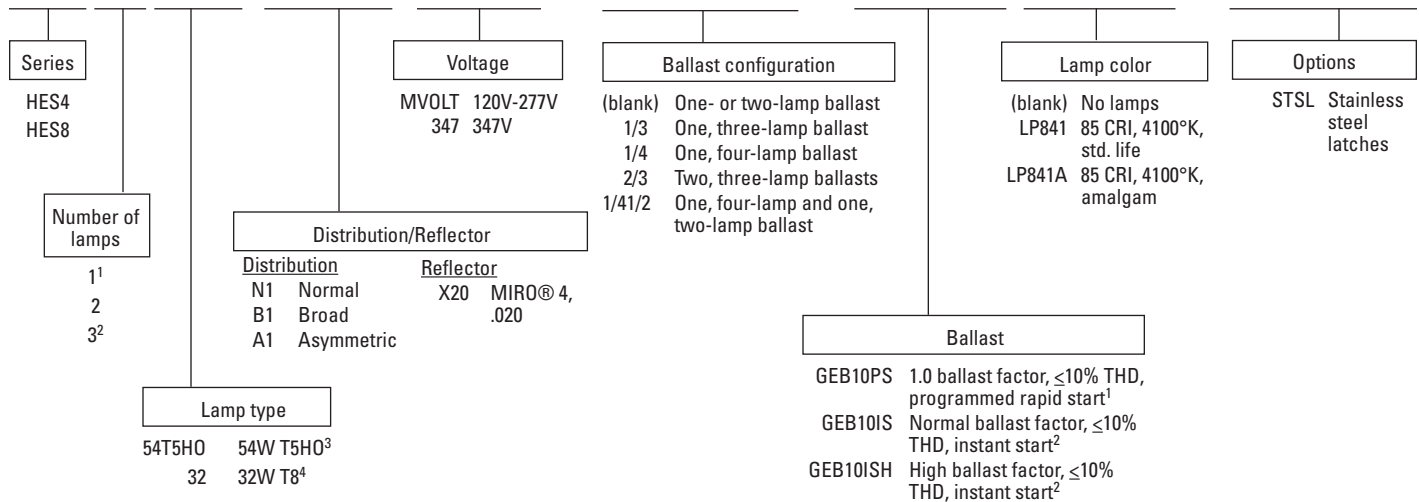
INSTALLATION — The luminaire may be surface mounted or may be suspended by chain or cable.

WARRANTY — Standard one-year warranty for the fixture. Ballasts carry manufacturer warranties of three to five years, depending on the application. are warranted for five years when operated at ambient temperatures up to 40°C.

ORDERING INFORMATION

Lead times will vary depending on options selected. Consult with your sales representative.

Example: HES4 2 54T5HO N1 MVOLT GEB10PS



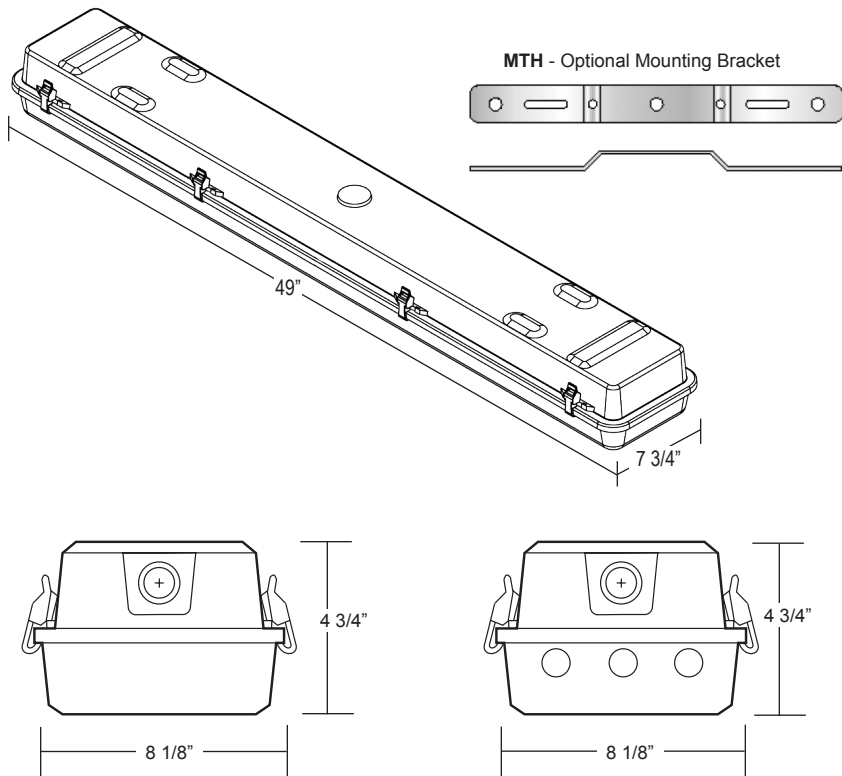
NOTES:

- 1 Available with T5HO only.
- 2 Available with T8 only.
- 3 Available with one or two lamps only.
- 4 Available with two or three lamps only.

HES Enclosed Gasketed Industrial

DIMENSIONS

All dimensions are in inches (millimeters).



PHOTOMETRICS

SC Across Definitions:

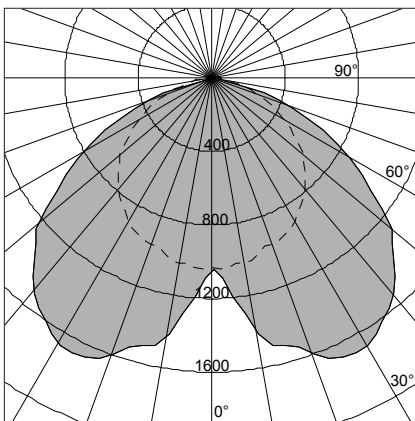
Focus ($SC < 0.9$), i.e. F1X20

Task ($0.9 \leq SC < 1.2$), i.e. T1X20

Normal ($1.2 \leq SC \leq 1.4$), i.e. N1X20, N1D20

Spread ($1.4 < SC \leq 1.8$), i.e. S1X20

Broad ($1.8 < SC$), i.e. B1X20



HES4 2 32 B1X20
Test #47943_S
Fixture Efficiency: 81.4%
SC Across: 1.9, SC Along: 1.3