



# TRAC-MASTER®

Tube Trac System

## TRAC SECTIONS, MOUNTINGS & JOINERS

TT Series

Project: \_\_\_\_\_

Fixture Type: \_\_\_\_\_

Location: \_\_\_\_\_

Contact/Phone: \_\_\_\_\_

### PRODUCT DESCRIPTION

Single-circuit trac sections mounted in a 2-1/2" diameter decorative tubular profile for surface or pendant mounting. Compatible with straight, right angle and flexible corner connectors to create straight runs or patterns. Accepts all Trac-Master and Trac-Lites trac fixtures.

### PRODUCT SPECIFICATIONS

**Construction** Extruded aluminum "1" beam channel mounted into 2-1/2" extruded aluminum housing • One-piece thermoplastic insulator • Assembly includes trac section, tubular housing, die-formed end-caps and end-feed/joiner at each end.

**Electrical** Two 12 gauge solid copper conductors • Rated 20 amps at 120 volts • Aluminum channel used as system ground • One-piece insulator insures consistent conductor spacing for reliable electrical contact • Insulating bushings supplied at mounting hole locations to prevent shorts to ground.

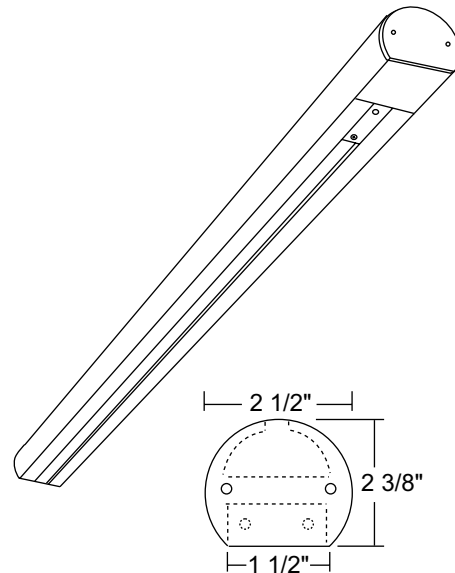
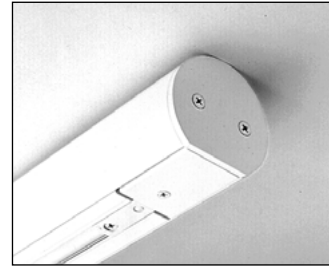
**Labels** UL listed, CSA certified.

### INSTALLATION

Embossed polarity line provides visual cue to proper trac, trac connector and fixture alignment • Integral raceway in top of tube accommodates surface mount bracket, wall outrigger bracket or pendant mounting hardware • Field-cutting to length is not recommended.

Specifications subject to change without notice.

### DIMENSIONS



### ORDERING INFORMATION

Example: TT 8FT WH

Series	Length	Finish
TT Trac-Master 1-Circuit Trac Tube	<b>4FT</b> 4-foot track section; actual length 48-3/8"	<b>BL</b> Black
	<b>8FT</b> 8-foot track section; actual length 96-3/8"	<b>WH</b> White

# TRAC-MASTER®

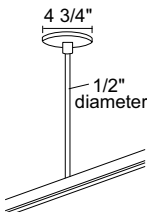
Tube Trac System

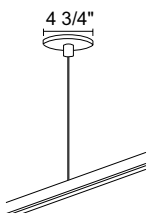
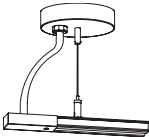
## TRAC SECTIONS, MOUNTINGS & JOINERS

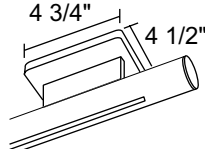
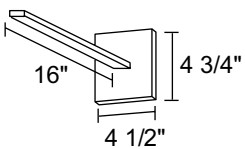


TT Series

### Mounting

Example: TT590 12IN BL

TT590	TT591
12IN, 18IN, 24IN, 36IN, 48IN	12IN, 18IN, 24IN, 36IN, 48IN
BL, WH	BL, WH
<p><b>T-Bar Pendant Stem Kit</b></p> <p>Mechanically suspends and electrically feeds trac tube. Feed wires for trac tubes can be routed through stem. Use two for every 4' and 8' Trac Tube. Continuous runs require one every 4'.</p> 	<p><b>Rigid Ceiling Pendant Stem Kit</b></p> <p>Similar to <b>TT590</b> but for rigid ceiling. Use two for every 4' and 8' Trac Tube. Continuous runs require one every 4'.</p>

TT595	TT597	TT596	TT598
BL, WH	BL, WH	BL, WH	BL, WH
<p><b>T-Bar Ceiling Pendant Cable</b></p> <p>Mechanical only suspension for trac tubes. Adjustable 48" flexible cable. Continuous runs require one cable every 4'.</p> 	<p><b>Rigid Ceiling Pendant Cable</b></p> <p>Mechanical only suspension for tubes. Adjustable 48" flexible cable. Continuous runs require one cable every 4'.</p>	<p><b>T-Bar Ceiling Pendant Cable</b></p> <p>T-bar ceiling Pendant cable with electrical feed. Similar to <b>TT595</b> but with 48" electrical feed flexible wireways and wires.</p> 	<p><b>Rigid Ceiling Pendant Cable</b></p> <p>Rigid ceiling Pendant cable with electrical feed. Similar to <b>TT597</b> but with 48" electrical feed flexible wireways and wires.</p>

TT528	TT529	T94	T96
BL, WH	BL, WH	BL, WH	BL, WH
<p><b>Surface Mount Bracket</b></p> <p>For mounting on T-bar or rigid ceiling. Supports trac housing 1-1/2" from ceiling. Use two for each trac tube section.</p> 	<p><b>Wall Mount Bracket</b></p> <p>For mounting trac tube from wall. Trac tube extends 17-1/4" from wall. Use two for each trac tube section.</p> 	<p><b>Sloped Ceiling Adapter</b></p> <p>Allows <b>TT590</b> or <b>TT591</b> pendant to hang straight down from sloped ceilings. Can be used to feed electrical wires to Trac at up to 60° angle.</p> 	<p><b>Pendant Stem Threaded Coupling</b></p> <p>Enables multiple pendant stems to be joined for higher ceiling applications.</p> 

# TRAC-MASTER®

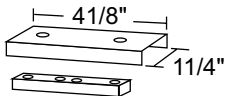
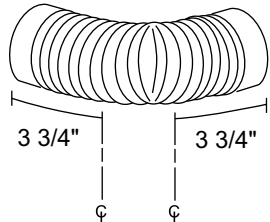
Tube Trac System

## TRAC SECTIONS, MOUNTINGS & JOINERS

TT Series

### Joiner Kits

Example: TT503 BL

TT503	TT520	TT524
BL, WH	BL, WH	BL, WH
<p><b>Straight Joiner Kit</b></p> <p>Joins two trac tube sections in a straight run. Includes electrical jumpers, joiner bracket and joiner cover.</p> 	<p><b>Flexible Accordion Joiner</b></p> <p>Joins two trac tube sections. Adjusts from 60° to 300°. Includes electrical jumpers and joiner brackets.</p> 	<p><b>90° Right Angle Corner</b></p> <p>Joins two trac tube sections. Includes electrical jumpers and joiner brackets.</p> 