



TRAC-MASTER®

Mounting Accessories

MONOPOINTS and SPECIAL MOUNTINGS

Project: _____

Fixture Type: _____

Location: _____

Contact/Phone: _____



PRODUCT DESCRIPTION

Special adapters permit the flexibility of mounting trac lights in various ways to meet special requirements.

PRODUCT SPECIFICATIONS

Government Procurement

BAA – Buy America(n) Act: Product qualifies as a domestic end product under the Buy American Act as implemented in the FAR and DFARS. Product also qualifies as manufactured in the United States under DOT Buy America regulations.

BABA – Build America Buy America: Product qualifies as produced in the United States under the definitions of the Build America, Buy America Act.

Please refer to www.acuitybrands.com/buy-american for additional information.

Line Voltage Monopoint Adapters

Example: T40N BL

T40N BL, SL, WH	T40F BL, WH	T41N BL, WH	T42N BL, WH
<p>Monopoint Adapter</p> <p>Mounts directly to outlet box. Accepts one 120V Juno trac fixture.</p>	<p>Flush Monopoint Adapter</p> <p>Mounts directly to 4" outlet box only. Accepts one 120V Juno trac fixture with <u>standard size</u> trac adapter.</p>	<p>Duo-Point Adapter</p> <p>Mounts directly to an outlet box. Accepts two 120V Juno trac fixtures.</p>	<p>Weighted Base</p> <p>For portable use. Supplied with 8' cord and plug. Accepts one 120V Juno trac fixture.</p>

Line Voltage Coil – Cord Clamp-Ons

Example: T132 WH

T132 BL, WH	T133 BL, WH
<p>120V Monopoint with Trac Adapter</p> <p>120V Monopoint with trac adapter for electrical connection to Trac. Accepts one 120V Juno trac fixture with <u>standard size</u> trac adapter.</p>	<p>120V Monopoint with Male Plug</p> <p>120V Monopoint with male plug (120V) attaches to receptacle. Accepts one 120V Juno trac fixture with <u>standard size</u> trac adapter.</p>
<p>2' Coil Cord extends to 5'. 1-3/4" Clamp opening.</p>	

TRAC-MASTER®

Mounting Accessories

MONOPOINTS and SPECIAL MOUNTINGS

Line Voltage Extension Wands

Examples: TEW 12IN BL

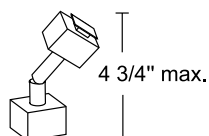
TEW	TEWS
12IN, 18IN, 24IN, 36IN, 48IN	
BL, WH	BL, WH
<p>Line Voltage Extension Wands</p> <p>For use with one or two circuit trac and line voltage monopoints. Accepts one 120V Juno trac fixture with <u>standard size</u> trac adapter.</p>	<p>24" Wand Slope Adapter</p> <p>Accepts one 120V Juno trac fixture with <u>standard size</u> trac adapter.</p>



Line Voltage Slope Ceiling Adapter

Examples: T95 BL

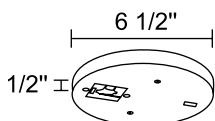
T95
BL, WH
<p>Slope Ceiling Adapter</p> <p>Attaches to trac, permitting Trac-Master or Trac-Lites Trac fixtures with <u>standard size</u> trac adapter to be hung vertically from sloped ceiling. 90° maximum adjustable</p>



T252L, R Series Low Voltage Monopoint Adapters

Example: T58 BL

T58
BL, WH
<p>Monopoint Adapter</p> <p>For T252L or Trac-Lites R Series Low-Voltage Power Packs. Mounts directly to outlet box. Adapter is offset to accept compatible styles. Power Pack latch locks in detent.</p>



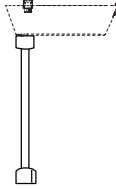
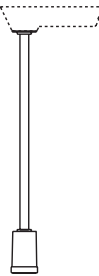
TRAC-MASTER®

Mounting Accessories

MONOPOINTS and SPECIAL MOUNTINGS

Low Voltage Extension Wands

Examples: TWL 12IN BL, TWLED 18IN WH

TWL12	TWLED
12IN, 18IN, 24IN, 36IN, 48IN	12IN, 18IN, 24IN, 36IN, 48IN
BL, WH	BL, SL, WH
<p>Low Voltage Extension Wands</p> <p>Accepts one Juno 12V low voltage spotlight. Attaches to T537 Power Pack.</p> 	<p>T252L Extension Wands</p> <p>Attaches between T252L fixture housing and LED driver housing to move the light source closer to illumination point without lowering the trac mounting height.</p> 

Steel Safety Cable (Lanyard) Example: TSSC 18IN

TSSC
18IN
<p>Steel Safety Cable (Lanyard)</p> <p>18" steel safety cable (lanyard) may be used to secure trac fixture to trac, to protect it against falling into space if fixture accidentally becomes disengaged from trac.</p> 