



5" UNIVERSAL IC HOUSING

INCANDESCENT LAMPS

IC20 SERIES

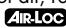
Project: _____

Fixture Type: _____

Location: _____

Contact/Phone: _____

PRODUCT DESCRIPTION

IC Air-Loc® Housing • Energy efficient, sealed housing • Can be completely covered with insulation • When used with Air-Loc Gasket accessory or pre-installed gasket, stops infiltration and exfiltration of air, reducing heating and cooling costs • Trims shown with Air-Loc symbol  do not require a gasket.

PRODUCT SPECIFICATIONS

Lamp Lamp ratings based on trim selected—see page 2.

Socket Medium base porcelain with nickel-plated copper screw shell • Drop socket with spring to accommodate certain trim installation.

Trims Trim selection shown on reverse.

Labels UL listed for through-branch wiring, damp locations and IP • Product thermally protected against improper use of lamps • Union made • UL listed/CSA certified • Trims 210N and 212N are wet location approved for covered ceiling applications • Trims 215 and 216 are wet location approved for covered ceiling applications, **when used with outdoor rated lamps.**

Testing All reports are based on published industry procedures; field performance may differ from laboratory performance.

INSTALLATION

Real Nail® Bar Hangers Telescoping, Patented (US Patent D552,969) Real Nail 3 and Real Nail 2 systems permits quick placement of housing anywhere within 24" O.C. joists or suspended ceilings • Bars scored in two locations for fast, clean breaking, allowing housing installation in tight applications • Bars captive to mounting frame • Edge-mounted for extra strength • Quick-Loc slot (location identified on the mounting frame) and oversized locking set screw lock fixture in position • May be installed either perpendicular or parallel to junction box.

Real Nail 3 Bar Hanger Integral T-bar notch and clip secures housing in suspended ceiling grid – no accessory clips required • 24" expansion stop allows quick placement of fixture in standard grid spacing • Captive bugle-headed ring shank nail for quick one-step installation and easy removal with claw hammer for fixture relocation • Bar hanger foot contoured to align to bottom of construction joist • Alternate mounting holes included.

Real Nail 2 Bar Hanger (S options) Small bar hanger foot designed to install directly on strapping construction material • Features Real Nail captive nail system for quick one-step installation • G2405 accessory clips required for suspended ceiling installation.

Junction Box Pre-wired junction box provided with (5) ½" and (1) ¾" knockouts, (4) Non-metallic sheathed cable connectors and ground wire, UL listed/CSA certified for through-branch wiring, maximum 8 No. 12 AWG 90° C branch circuit conductors (4 in, 4 out) • Junction box provided with removable access plates • Knockouts equipped with pryout slots • **W options** are supplied with **push-in electrical connectors** for fast installation.

Mounting Frame 22-gauge die-formed galvanized steel mounting frame • Rough-in section (junction box, mounting frame, housing and bar hangers) fully assembled for ease of installation • Sight lines embossed on mounting frame to allow for easy viewing when aligning fixtures • Pre-installed Air-Loc gasket for **G options.**

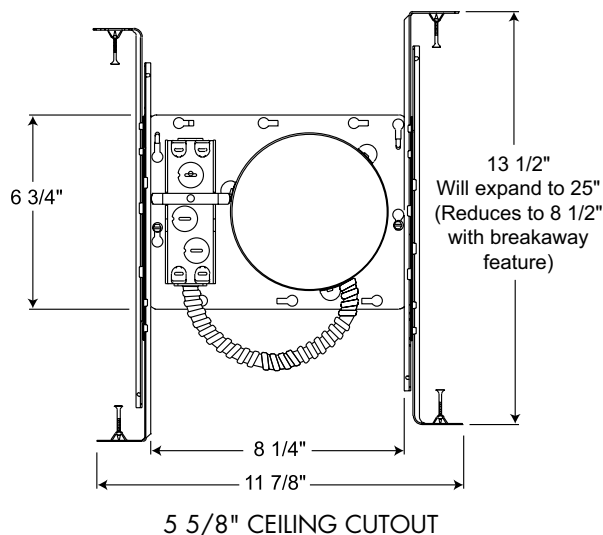
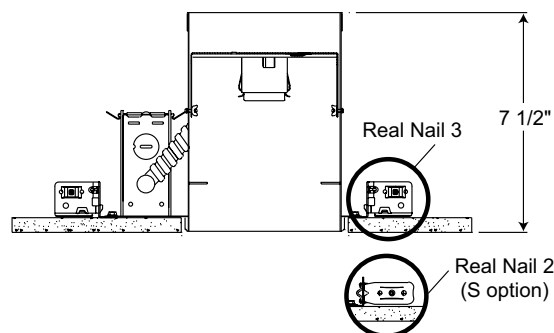
Housing IC housing, .032" aluminum sealed for Air-Loc Compliance • Housing is vertically adjustable to accommodate up to a 1" ceiling thickness.

PRODUCT CODES

Catalog Number	Input Voltage	Lamp Rating
IC20	5" Incandescent New Construction IC Housing	120V A19/BR30/PAR20/PAR30/PAR30L/R20/R30 (See page 2 for max. trim rating)
IC20 G	5" Incandescent New Construction IC Housing with pre-installed Air-Loc gasket	120V A19/BR30/PAR20/PAR30/PAR30L/R20/R30 (See page 2 for max. trim rating)
IC20 S	5" Incandescent New Construction IC Housing with smaller footprint bar hanger (Real Nail 2)	120V A19/BR30/PAR20/PAR30/PAR30L/R20/R30 (See page 2 for max. trim rating)
IC20 S G	5" Incandescent New Construction IC Housing with smaller footprint bar hanger (Real Nail 2) and pre-installed Air-Loc gasket	120V A19/BR30/PAR20/PAR30/PAR30L/R20/R30 (See page 2 for max. trim rating)
IC20 W	5" Incandescent New Construction IC Housing with push-in electrical connectors for fast, secure installation	120V A19/BR30/PAR20/PAR30/PAR30L/R20/R30 (See page 2 for max. trim rating)
IC20 W G	5" Incandescent New Construction IC Housing with push-in electrical connectors and pre-installed Air-Loc gasket	120V A19/BR30/PAR20/PAR30/PAR30L/R20/R30 (See page 2 for max. trim rating)

Housing and trim can be ordered together or separate, but will always ship separately.

DIMENSIONS



Accessories

Catalog Number	Description
ALG5	Air-Loc Gasket
G2405	T-Bar Clips (Set of 4), for S option only

To order, specify catalog number.

Warranty 1-year limited warranty. This is the only warranty provided and no other statements in this specification sheet create any warranty of any kind. All other express and implied warranties are disclaimed. Complete warranty terms located at: www.acuitybrands.com/support/warranty/terms-and-conditions.

Note: Actual performance may differ as a result of end-user environment and application. Specifications subject to change without notice.

5" UNIVERSAL IC HOUSING

INCANDESCENT LAMPS

IC20 SERIES

TRIMS/LAMPS

	Catalog Number	Description	Max. Lamp Rating
**	205 BWH 205 WWH 205 BSC 205 BBRZ	Black Baffle, White Trim Ring White Baffle, White Trim Ring Black Baffle, Satin Chrome Trim Ring Black Baffle, Bronze Trim Ring	50W PAR30
**	204 CWH 204 GWH 204 BWH 204 HZWH 204 WWH 204 WHZWH 204 WHZBRZ	Clear Alzak® Cone, White Trim Ring Gold Alzak® Cone, White Trim Ring Black Alzak® Cone, White Trim Ring Haze Cone, White Trim Ring Gloss White Cone, White Trim Ring Wheat Haze Cone, White Trim Ring Wheat Haze Cone, Bronze Trim Ring	50W PAR30
**	206 CWH 206 BWH 206 HZWH 206 WHZWH 206 WHZBRZ	Clear Alzak® Cone, White Trim Ring Black Cone, White Trim Ring Haze Cone, White Trim Ring Wheat Haze Cone, White Trim Ring Wheat Haze Cone, Bronze Trim Ring	50W PAR30
**	207 CWH 207 BWH 207 WWH 207 HZWH	Clear Alzak® Cone, White Trim Ring Black Cone, White Trim Ring White Cone, White Trim Ring Haze Cone, White Trim Ring	50W PAR20/R20
AIR-LOC	215 BWH ◆◆ 215 WWH ◆◆	Black Baffle, White Trim Ring White Baffle, White Trim Ring	65W BR30, 75W PAR30L, 75W PAR30 w/Socket Extender
AIR-LOC	216 CWH ◆◆ 216 WWH ◆◆ 216 HZWH ◆◆ 216 WHZWH ◆◆	Clear Alzak® Cone, White Trim Ring White Cone, White Trim Ring Haze Cone, White Trim Ring Wheat Haze Cone, White Trim Ring	65W BR30, 75W PAR30L, 75W PAR30 w/Socket Extender
	688 BWH 688 WWH	Black Baffle, White Trim Ring White Baffle, White Trim Ring	50W PAR30
AIR-LOC	210N WH ◆	Lensed Flat Glass Shower Trim, White	40W A19
AIR-LOC	212N WH ◆	Frosted Lens with Clear Center Trim, White	40W A15, 50W PAR30

Trim Size: 6¼" O.D.

Alzak is a registered trademark of Alcoa Corp.

Note: In Canada when insulation is present,

Type IC fixtures must be used.

AIR-LOC JUNO IC housings meet IECC Energy Code requirements per ASTM E283.

Air-Loc® rated trims are pre-gasketed for minimum air leakage with IC housings.

◆ UL Listed for use in wet location.

◆◆ UL Listed for use in wet location with outdoor rated lamp.

** NOTE: TR5 Trim Ring compatible with 204, 205, 206, 207 trims.

Housing and trim can be ordered together or separate, but will always ship separately.