



6" SLOPE CEILING CFL IC NEW CONSTRUCTION HOUSING

Project: _____

Fixture Type: _____

Location: _____

Contact/Phone: _____

STANDARD SLOPE:

2/12 TO 6/12 PITCH (9° TO 27°)

CFL LAMPS

ICPL926 42W E

PRODUCT DESCRIPTION

ICPL, Air-Loc® sealed double-wall construction housing • No separate ALG gasket required • Can be completely covered with insulation • Fully sealed housing stops infiltration and exfiltration of air, reducing heating and air cooling costs • 2 year warranty.

PRODUCT SPECIFICATIONS

Lamp One 26W, 32W or 42W triple tube (4-pin) CFL lamp CFTR26W/GX24q-3, CFTR32W/GX24q-3 or CFTR42W/GX24q-4.

Socket Supplied with threaded barrel CFL socket. Socket mounts to an adjustable plate to accommodate various pitch ceilings • Plate includes 1/4" adjustment indicators to aid in socket alignment.

Upper Reflector Screw on type reflector mounts to threaded barrel socket and is removable to accommodate plate adjustment and coil spring trim installation • Clear Alzak® finish reflector is optimized for use with CFL lamps.

Ballast 120V HPF Rapid Start Electronic with end-of-life lamp protection • Optional dimming ballast available (Title 24 compliant) • UL listed/CSA certified.

Trims Trim selection shown on reverse.

Labels UL Listed for contact with insulation, through-branch wiring and damp locations • Meets Washington State Air Tight Requirements, IECC • Complies with FCC Part 18 consumer use limits • Product mechanically protected against improper use of lamps • Union made • Meets the high efficacy requirements of California's Title 24 energy code

Testing All reports are based on published industry procedures; field performance may differ from laboratory performance.

Specifications subject to change without notice.

INSTALLATION

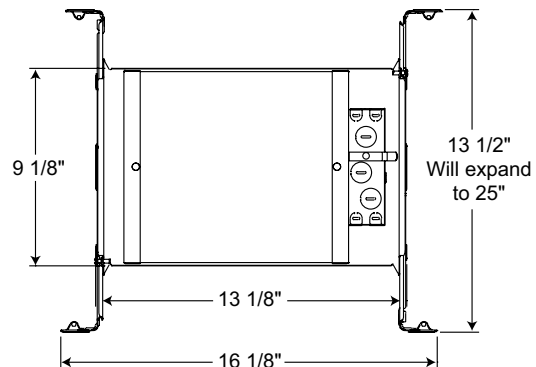
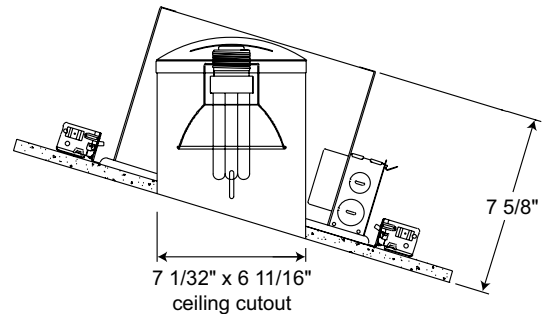
Real Nail 3 Bar Hangers Telescoping, Patented (US Patent D552,969) Real Nail 3 system permits quick placement of housing anywhere within 24" O.C. joists or suspended ceilings • Integral T-bar notch and clip secures housing in suspended ceiling grid – no accessory clips required • 24" expansion stop allows quick placement of fixture in standard grid spacing • Bars scored in two locations for fast, clean breaking, allowing housing installation in tight applications • Bars captive to mounting frame • Edge-mounted for extra strength • Captive bugle-headed ring shank nail for quick one-step installation and easy removal with claw hammer for fixture relocation • Quick-Loc slot and oversized locking set screw lock fixture in position • Bar hanger foot contoured to align to bottom of construction joist • Alternate mounting holes included.

Junction Box Pre-wired junction box provided with (6) 1/2" and (1) 3/4" knockouts, (4) Non-metallic sheathed cable connectors and ground wire, U.L. listed for through-branch wiring, maximum 8 No. 12 AWG 90° C branch circuit conductors (4 in, 4 out) • Junction box provided with removable access plates • Knockouts equipped with pryout slots.

Mounting Frame 22-gauge die-formed galvanized steel mounting frame • Rough-in section (junction box, mounting frame, housing and bar hangers) fully assembled for ease of installation.

Housing IC housing, .032" aluminum sealed for Air-Loc Compliance • Junction box accessible through outer housing • Inner housing is vertically adjustable to accommodate up to a 1" ceiling thickness • Designed to fit into 2 x 8 construction.

DIMENSIONS



PRODUCT CODES

Catalog Number	Input Voltage	Lamp Rating
ICPL926 42W E	6" CFL Slope Ceiling New Construction IC Hsg	120V, 60HZ 26W, 32W or 42W Triple Tube CFL

Housing and trim can be ordered together or separate, but will always ship separately.




ENGINEERING DATA

	ICPL926 42W E	ICPL926 42W EDB 120
	120V (HPF)	120V Dimming (HPF)
	26W/32W/42W	26W/32W/42W
Total input power	29W/36W/46W	31W/38W/49W
Operating AMPS	0.24A/0.31A/0.38A	0.26A/0.32A/0.41A
Power Factor	>.98	>.98
T.H.D.	<10%	<10%
Min. starting temperature	0°F/ -18°C	50°F/ 10°C
Crest Factor	<1.70	<1.60
Ballast Factor	1.10/0.98/0.98	0.05 min/1.00 max

6" SLOPE CEILING CFL IC NEW CONSTRUCTION HOUSING

STANDARD SLOPE: 2/12 TO 6/12 PITCH (9° TO 27°)
CFL LAMPS
ICPL926 42W E

TRIMS/ LAMPS

	Cat. No.	Description	Lamp Rating
	614 BBRZ	6" Standard Slope Downlight Baffle Trim - Black Baffle, Bronze Trim Ring	42W Triple Tube
	614 BBL	6" Standard Slope Downlight Baffle Trim - Black Baffle, Black Trim Ring	
	614 BSC	6" Standard Slope Downlight Baffle Trim - Black Baffle, Satin Chrome Trim Ring	
	614 BWH	6" Standard Slope Downlight Baffle Trim - Black Baffle, White Trim Ring	
	614 WWH	6" Standard Slope Downlight Baffle Trim - White Baffle, White Trim Ring	
	612 BWH	6" Downlight Cone Trim - Black Alzak® Cone, White Trim Ring	42W Triple Tube
	612 CWH	6" Downlight Cone Trim - Clear Alzak® Cone, White Trim Ring	
	612 GWH	6" Downlight Cone Trim - Gold Alzak® Cone, White Trim Ring	
	612 HZSC	6" Downlight Cone Trim - Haze Cone, Satin Chrome Trim Ring	
	612 HZWH	6" Downlight Cone Trim - Haze Cone, White Trim Ring	
	612 WHZBRZ	6" Downlight Cone Trim - Wheat Haze Cone, Bronze Trim Ring	
	612 WHZWH	6" Downlight Cone Trim - Wheat Haze Cone, White Trim Ring	
	612 WWH	6" Downlight Cone Trim - White Cone, White Trim Ring	
	6330 BWH ◆	6" Lensed Baffle with Regressed Frosted Dome Lens Trim - Black Baffle, White Trim Ring	32W Triple Tube
	6330 WWH ◆	6" Lensed Baffle with Regressed Frosted Dome Lens Trim - White Baffle, White Trim Ring	

Trim Size: 612 and 614-7 3/8" x 7 3/4" O.D., 6330-7 5/8" O.D.

Note: In Canada when insulation is present, Type IC fixtures must be used.

◆ UL Listed for use in wet location.

6" SLOPE CEILING CFL IC NEW CONSTRUCTION HOUSING

STANDARD SLOPE: 2/12 TO 6/12 PITCH (9° TO 27°)
CFL LAMPS
ICPL926 42W E

PHOTOMETRIC REPORT

Test Report #: PT06080402

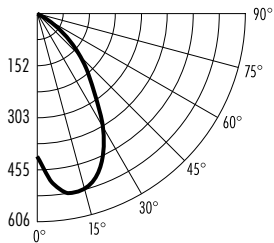
Catalog No: ICPL926 42W E 614 WWH

Total Luminaire Efficiency: 51.4%

Luminaire Spacing Criterion @ 0°: 1.30

Luminaire: 6" Slope Downlight, Clear Alzak Upper Reflector, White Baffle Trim

Lamp: One F42TBX/835/A/4P lamp rated @ 3200 lumens



CANDLEPOWER DISTRIBUTION (Candelas)

Degrees	0° Average
0	435
5	482
10	527
15	525
20	508
25	455
30	388
35	353
40	294
45	219
50	168
55	135
60	110
65	51
70	14
75	0
80	0
85	0
90	0

AVERAGE INITIAL FOOTCANDLES

Multiple Units (Square Array)
Ceiling 80% Wall 50% Floor 20%

Spacing	RCR1	RCR3	RCR5
5.0'	68	52	41
6.0'	47	36	28
7.0'	38	30	23
8.0'	30	23	18
9.0'	23	18	14
10.0'	17	13	10
12.0'	12	9	7

ZONAL LUMEN SUMMARY

Zone	Lumens	%Lamp	%Fixture
0-30°	451	14.1	27.5
0-40°	740	23.1	45.0
0-60°	1272	39.8	77.4
0-90°	1623	50.7	98.7
90-180°	21	0.7	1.3
0-180°	1644	51.4	100.0

INITIAL FOOTCANDLES (One Unit, 42W Triple Tube, 76° Beam)

Distance to Illuminated Plane (feet)	Footcandles Beam Center	Footcandles Beam Edge	Beam Diameter
6	12.1	0.9	9.4'
8	6.8	0.5	12.5'
10	4.4	0.3	15.6'
12	3.0	0.2	18.7'
14	2.2	0.2	21.8'
16	1.7	0.1	25.0'
18	1.3	0.1	28.1'
20	1.1	0.1	31.2'

(Beam Edge defined as 50% of Maximum Nadir Candelpower)

LUMINANCE (Average cd/m²)

Degrees	Average 0° Luminance
45	20216
55	15363
65	7877
75	0
85	0

COEFFICIENTS OF UTILIZATION -% (Zonal Cavity Method) Effective Floor Cavity Refl. 20% (ρfc)

RCR	ρcc	ρw															
		80			70			50			30			10			0
0		61	61	61	60	60	60	57	57	54	54	52	52	51			
1		53	51	49	52	50	48	49	46	47	45	45	43	42			
2		46	43	40	45	42	39	43	38	41	37	40	36	35			
3		41	36	33	40	36	33	38	32	37	31	35	31	30			
4		36	31	28	35	31	28	34	27	33	27	31	26	25			
5		32	28	24	32	27	24	30	24	29	23	28	23	22			
6		29	24	21	28	24	21	27	21	27	20	26	20	19			
7		26	22	19	26	22	19	25	18	24	18	23	18	17			
8		24	20	17	24	19	17	23	16	22	16	22	16	15			
9		22	18	15	22	18	15	21	15	20	15	20	15	14			
10		20	16	14	20	16	13	19	13	19	13	18	13	12			

ρcc – Ceiling Cavity Reflectance (%) ρw – Wall Reflectance (%)