



# UNDERCABINET LIGHTING

DIRECT WIRE FLUORESCENT  
8W, 14W, 21W & 28W

## UFL12, UFL34 and UFL46

Project: \_\_\_\_\_

Fixture Type: \_\_\_\_\_

Location: \_\_\_\_\_

Contact/Phone: \_\_\_\_\_

### PRODUCT DESCRIPTION

Direct Wire Fluorescent luminaires offer highly efficient illumination in a shallow, easy-to-conceal profile. Ideal for undercabinet, undershelf, and task lighting, where maximum energy efficiency, long lamp life, and cool operation are desired.

### PRODUCT SPECIFICATIONS

**Lamps** Latest generation of high-efficiency (HE), high color rendering 3000K T5 tri-phosphor fluorescent lamps • 10,000 hour rated lamp life.\*

**Ballast** State of the art 120V electronic ballast instantly starts lamp and operates without flicker or hum.

**Housing** Formed steel fixture body for maximum strength, painted appliance white or silver.

**Diffuser** Extruded non-yellowing clear UV/impact resistant acrylic lens.

**Switch** Convenient on/off switch.

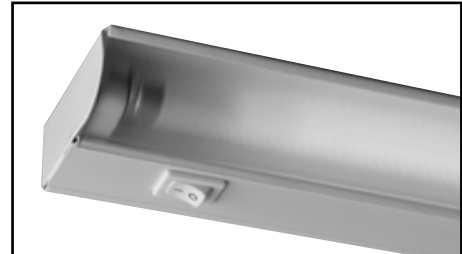
**Labels** UL Listed.

### INSTALLATION

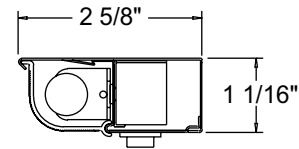
UFL fixtures may be direct-wired with non-metallic cable or flexible metal conduit using the 3/8" die cast fitting supplied with the fixture. Connect at knockouts located at rear and ends of fixture.

**Portable** To install a portable fixture, use the 3-wire grounded cord & plug (U6CP sold separately).

**Note:** Actual performance may differ as a result of end-user environment and application. Specifications subject to change without notice.



### DIMENSIONS



### ENGINEERING DATA

	UFL12	UFL34	UFL46
Total input power (watts)	8.4	22.1	30.3
Total Operating AMPS	.13	.32	.45
Power Factor	.52	.57	.56

### MAXIMUM ENERGY EFFICIENCY

**8 watts** = 40 watts halogen

**14 watts** = 75 watts halogen

**21 watts** = 100 watts halogen

**28 watts** = 150 watts halogen

### ORDERING INFORMATION (Type fixture options in the blank form fields below)

Example: UFL34 WH

Series	Finish
UFL12 Economy Fluorescent Undercabinet, 12"	SL Brushed Silver
UFL34 Economy Fluorescent Undercabinet, 34"	WH White
UFL46 Economy Fluorescent Undercabinet, 46"	

\*8W T5 tri-phosphor lamp rated at 7,500 hours

### ACCESSORIES

Catalog Numbers	Description
UCONN	3/8" Miniature Die Cast electrical Connector
U6CP BL	Juno Undercabinet 6" Cord & Plug, Black
U6CP WH	Juno Undercabinet 6" Cord & Plug, White

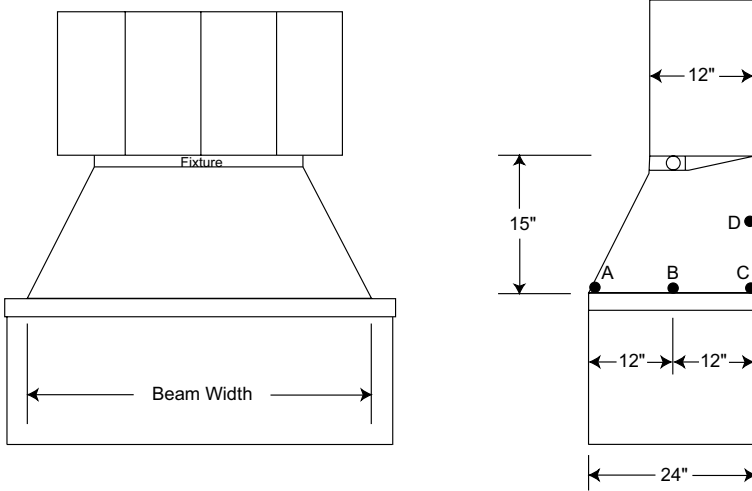
# UNDERCABINET LIGHTING

DIRECT WIRE FLUORESCENT  
8W, 14W, 21W & 28W

## UFL12, UFL34 and UFL46

### LIGHTING APPLICATION DATA

#### FOOTCANDLES ON HORIZONTAL WORK SURFACE



Catalog Numbers	Lamps	Beam Width*	Footcandles			
			A	B	C	D
UFL12	8-watt T5	24"	32	77	68	93
UFL34	21-watt T5 HE	41"	66	140	131	140
UFL46	28-watt T5 HE	50"	83	171	166	170

8 watts equivalent to 40 watts of halogen  
 14 watts equivalent to 75 watts of halogen  
 21 watts equivalent to 100 watts of halogen  
 28 watts equivalent to 150 watts of halogen

\* Beam width defined as 50% of maximum footcandles  
 Rear wall reflectance 50%  
 Counter surface reflectance 20%