

JUNO

Project: _____

Fixture Type: _____

Location: _____

Contact/Phone: _____

6" IC LED RETROFIT EYEBALL TRIM

600 LUMEN

J6RLE G4

PRODUCT DESCRIPTION

All-in-one 6" LED Retrofit eyeball trim installs into existing 6" incandescent housings with medium base sockets or Juno IC23 LEDT24 and IC23R LEDT24 quick connect recessed housings • May be used in housings completely covered with insulation • Adjustable eyeball design allows for 30° vertical adjustment, rotates 358° • Field installable optic accessories available to provide different beam spread options • Dimmable with most standard incandescent or electronic low voltage dimmers • Designed to provide 50,000 hours of life • 5 year limited warranty on LED components.

ENVIRONMENTALLY FRIENDLY, ENERGY EFFICIENT

- No harmful ultraviolet or infrared wavelengths
- No lead or mercury
- Comparable light output to 65W BR30 incandescent while consuming 11W

PRODUCT SPECIFICATIONS

LED Retrofit Eyeball Trim Aluminum eyeball trim with white finish • All-in-one design where LED light engine mounts directly to trim • Up to 30° vertical adjustment, rotates 358° • Provided with torsion springs as standard • Accessory kit available for use in housings that do not have torsion spring retaining brackets.

LED Light Engine LED array integrated to one piece high purity aluminum, thermally conductive eyeball housing provides uninterrupted heat transfer to ensure long life of the LED • Replaceable light engine mounts directly to eyeball housing and incorporates the latest generation, high lumen output LED array • LEDs are binned to standards that exceed ENERGY STAR® requirements yielding superior fixture to fixture color uniformity • 2700K, 3000K, 3500K or 4000K color temperature available • 90 CRI minimum.

LED Driver Dedicated 120 volt driver • Power factor > 0.9 at 120V input • Dimmable with the use of most incandescent, magnetic low voltage and electronic low voltage wall box dimmers • For a list of compatible dimmers, see [JUNOICLED-DIM](#) and reference dimmer list for dedicated 120V only housing.

Optical System Computer-optimized reflector design with high reflectance white finish coupled with a high transmission diffusing lens conceals the LEDs • Efficient system that can produce over 600 lumens while using 11W • Wide flood distribution shipped as standard with optional optic accessories available and sold separately.

Electrical Connections Trim features quick connect plug installed as standard for installation into IC23 LEDT24 and IC23R LEDT24 housings with mating connector • Trim ships as standard with a medium base socket adapter whip for installation into 6" incandescent housings with medium base sockets • Product shipping to California does not include medium base socket adapter (L/SKTWHIP).

Life Rated for 50,000 hours at 70% lumen maintenance.

Labels ENERGY STAR® certified • Certified to the high efficacy requirements of California T24 • Suitable for damp locations • Union made • UL and cUL classified for use with 6" incandescent medium based housings and Juno IC23 LEDT24 or IC23R LEDT24; see below for specific compatibility requirements.

Testing All reports are based on published industry procedures; field performance may differ from laboratory performance.

Specifications subject to change without notice.

COMPATIBLE HOUSINGS

The J6RLE G4 retrofit module is compatible with most 6" recessed housings measuring at least 5-1/4" high with an inside diameter between 6" and 6-3/4". Removal of the housing socket plate or socket mounting bracket may be required in order for the trim to fit properly. If housing does not have torsion spring brackets, the V6RLTRB accessory is required.

Compatible housings include, but not limited to:

Juno housings: IC2, IC22, IC23, IC21 and TC2 Series

Juno quick-connect LED housings: IC23 LEDT24 and IC23R LEDT24

VuLite housings: V6IC and V6TC Series

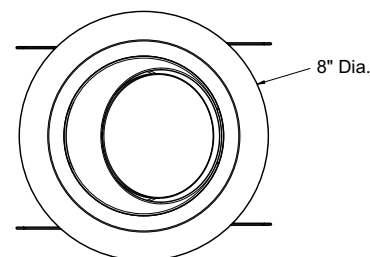
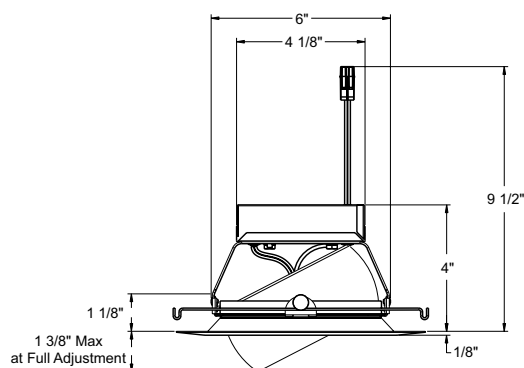
Halo housings: H7 Series, H25 Series

Thomas housings: PS1 and PS3 Series

Capri housings: CR1, PR1, QL6 Series, P9ASIC Series

Lithonia housings: L7X and LC6 Series

DIMENSIONS



ELECTRICAL DATA

120V	
Input Power	11.4W (+/-5%)
Input Current - Max	0.10A
Frequency	50/60Hz
EMI/RFI	FCC Title 47 CFR, Part 15, Class B (consumer)
Minimum starting temp	-25°C
CRI	90 min.

ACCESSORIES

Catalog Number	Description
V6RLTRB	Torsion receiver bracket kit to install trim into housings that do not have torsion receiver brackets
Replacement E26 screw base adapter for installation into incandescent housings.	
LEDRETROWHIP	Unit Pack
LEDRETROWHIP J10	Job pack 10 pcs
LEDRETROWHIP J25	Job pack 25 pcs

To order, specify catalog number.



6" IC LED RETROFIT EYEBALL TRIM

600 LUMEN

J6RLE G4

ORDERING INFORMATION

Ordering Example: J6RLE G4 06LM 27K 90CRI 120 FRPC WH

Series	Generation	Lumens	Color Temperature	Color Rendering Index
J6RLE 6" LED Retrofit Eyeball Trim Module	G4 Generation 4	06LM 600 Nominal Lumens	27K 2700K 30K 3000K 35K 3500K 40K 4000K	90CRI 90+ CRI

Voltage	Driver	Finish	Options
120 120V	FRPC Forward/Reverse Phase Cut	WH White	L/SKTWHIP ¹ Less Socket Whip (California Only) E26 screw base adapter not included

ACCESSORIES	
LEDOPTICG3 MFL	Medium Flood Optic (50°)
LEDOPTICG3 NFL	Narrow Flood Optic (37°)
LEDOPTICG3 SP	Spot Optic (10°)

Notes:

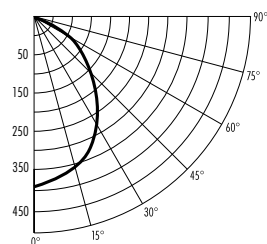
¹ Required for shipments to California.

PHOTOMETRIC REPORT

Test Report #: PT03151901R
Catalog No: J6RLE G4 06LM 27K
90CRI 120 FRPC WH
with standard
wide beam optic

Luminaire Spacing Criterion: 1.08

Luminaire LPW: 61



CANDLEPOWER DISTRIBUTION (Candelas)

Degrees Vertical	0°
0	393
5	389
15	359
25	306
35	245
45	166
55	86
65	40
75	15
85	3
90	0

Multiplier: 3K - 1.06
35K - 1.13
41K - 1.17

AVERAGE INITIAL FOOTCANDLES

Multiple Units (Square Array, 60"x60" room)
Ceiling 80% Wall 50% Floor 20%

Spacing	RCR1	RCR3	RCR5
4.0'	47	38	31
5.0'	30	24	20
6.0'	21	17	14
7.0'	17	14	11
8.0'	13	11	9
9.0'	10	8	7
10.0'	7	6	5

ZONAL LUMEN SUMMARY

Zone	Lumens	%Lamp	%Fixture
0-30°	278	N/A	39.9
0-40°	430	N/A	61.8
0-60°	636	N/A	91.4
0-90°	697	N/A	100.0

INITIAL FOOTCANDLES (One Unit, 11.4W, 82.7° Beam)

Distance to Illuminated Plane (Feet)	Footcandles Beam Center	Beam Diameter
4	24.5	7.0'
6	10.9	10.6'
8	6.1	14.1'
10	3.9	17.6'

LUMINANCE (Average cd/m²)

45	26232
55	16821
65	10473
75	6617
85	3322

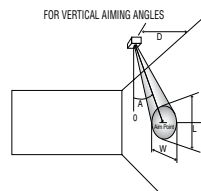
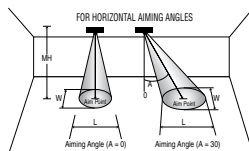
Fixtures tested to IES recommended standard for solid state lighting per LM-79-08. Photometric performance on a single unit represents a baseline of performance for the fixture. Results may vary in the field.

6" IC LED RETROFIT EYEBALL TRIM

600 LUMEN

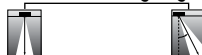
J6RLE G4

CBCP • Centerbeam candlepower
FC • Footcandles at beam center (aim point)



In vertical aiming applications, aim point (X) is determined by dividing distance from the wall (D) by the tangent of the desired aim angle (A) (0.5774 for 30°).

Horizontal Aiming Angles



Vertical Aiming Angles



Fixture	Beam Type	Beam Spread°	Rated Life	CBCP	0°			30°			30°										
					MH	FC	L	W	FC	L	W	D	FC	X	L	W					
J6RLE G4 06LM 27K 90CRI 120 FRPC WH with LEDOPTICG3 MFL Medium Flood Optic	MFL	50°	50000	689	3	77	2.8	2.8	50	4.0	3.2	1	86	1.7	10.7	1.9					
					4	43	3.7	3.7	28	5.4	4.3	2	22	3.5	21.5	3.7					
					5	28	4.7	4.7	18	6.7	5.4	3	10	5.2	32.2	5.6					
					6	19	5.6	5.6	12	8.0	6.5	4	5	6.9	42.9	7.5					
					7	14	6.5	6.5	9	9.4	7.5	5	3	8.7	53.6	9.3					
					J6RLE G4 06LM 27K 90CRI 120 FRPC WH with LEDOPTICG3 NFL Narrow Flood Optic	NFL	37°	50000	836	3	93	2.0	2.0	60	2.8	2.3	1	105	1.7	4.0	1.3
										4	52	2.7	2.7	34	3.7	3.1	2	26	3.5	8.1	2.7
5	33	3.3	3.3	22						4.6	3.9	3	12	5.2	12.1	4.0					
6	23	4.0	4.0	15						5.6	4.6	4	7	6.9	16.1	5.4					
7	17	4.7	4.7	11						6.5	5.4	5	4	8.7	20.2	6.7					
J6RLE G4 06LM 27K 90CRI 120 FRPC WH with LEDOPTICG3 SP Spot Optic	SP	10°	50000	5503						4	344	0.7	0.7	223	0.9	0.8	2	172	3.5	1.4	0.7
					5	220	0.9	0.9	143	1.2	1.0	3	76	5.2	2.1	1.0					
					6	153	1.0	1.0	99	1.4	1.2	4	43	6.9	2.9	1.4					
					7	112	1.2	1.2	73	1.6	1.4	5	28	8.7	3.6	1.7					
					8	86	1.4	1.4	56	1.9	1.6	6	19	10.4	4.3	2.1					

For 30K fixtures, use 1.06 multiplier; for 35K fixtures, use 1.13 multiplier; for 40K fixtures, use 1.17 multiplier.