

6" IC LED RETROFIT EYEBALL TRIM

Project: _____

Fixture Type: _____

Location: _____

Contact/Phone: _____

900 LUMEN

J6RLE G4



PRODUCT DESCRIPTION

All-in-one 6" LED Retrofit eyeball trim installs into existing 6" incandescent housings with medium base sockets or Juno IC23 LEDT24 and IC23R LEDT24 quick connect recessed housings • May be used in housings completely covered with insulation • Adjustable eyeball design allows for 30° vertical adjustment, rotates 358° • Field installable optic accessories available to provide different beam spread options • Dimmable with most standard incandescent or electronic low voltage dimmers • Designed to provide 50,000 hours of life • 5 year limited warranty on LED components.

ENVIRONMENTALLY FRIENDLY, ENERGY EFFICIENT

- No harmful ultraviolet or infrared wavelengths
- No lead or mercury
- Comparable light output to 75W PAR30 incandescent while consuming 16W

PRODUCT SPECIFICATIONS

LED Retrofit Eyeball Trim Aluminum eyeball trim with white finish • All-in-one design where LED light engine mounts directly to trim • Up to 30° vertical adjustment, rotates 358° • Provided with torsion springs as standard • Accessory kit available for use in housings that do not have torsion spring retaining brackets.

LED Light Engine LED array integrated to one piece high purity aluminum, thermally conductive eyeball housing provides uninterrupted heat transfer to ensure long life of the LED • Replaceable light engine mounts directly to eyeball housing and incorporates the latest generation, high lumen output LED array • LEDs are binned to standards that exceed ENERGY STAR® requirements yielding superior fixture to fixture color uniformity • 2700K, 3000K, 3500K or 4000K color temperature available • 90 CRI minimum.

LED Driver Dedicated 120 volt driver • Power factor > 0.9 at 120V input • Dimmable with the use of most incandescent, magnetic low voltage and electronic low voltage wall box dimmers • For a list of compatible dimmers, see [JUNOICLED-DIM](#) and reference dimmer list for dedicated 120V only housing.

Optical System Computer-optimized reflector design with high reflectance white finish coupled with a high transmission diffusing lens conceals the LEDs • Efficient system that can produce over 900 lumens while using 16W • Wide flood distribution shipped as standard with optional optic accessories available and sold separately.

Electrical Connections Trim features quick connect plug installed as standard for installation into IC23 LEDT24 and IC23R LEDT24 housings with mating connector • Trim ships as standard with a medium base socket adapter whip for installation into 6" incandescent housings with medium base sockets • Product shipping to California does not include medium base socket adapter (L/SKTWHIP).

Life Rated for 50,000 hours at 70% lumen maintenance.

Labels ENERGY STAR® certified • Certified to the high efficacy requirements of California T24 • Suitable for damp locations • Union made • UL and cUL classified for use with 6" incandescent medium based housings and Juno IC23 LEDT24 or IC23R LEDT24; see below for specific compatibility requirements.

Testing All reports are based on published industry procedures; field performance may differ from laboratory performance.

Specifications subject to change without notice.

COMPATIBLE HOUSINGS

The J6RLEG4 retrofit module is compatible with most 6" recessed housings measuring at least 5-1/4" high with an inside diameter between 6" and 6-3/4". Removal of the housing socket plate or socket mounting bracket may be required in order for the trim to fit properly. If housing does not have torsion spring brackets, the V6RLTRB accessory is required.

Compatible housings include, but not limited to:

Juno housings: IC2, IC22, IC23, IC21 and TC2 Series

Juno quick-connect LED housings: IC23 LEDT24 and IC23R LEDT24

VuLite housings: V6IC and V6TC Series

Halo housings: H7 Series, H25 Series

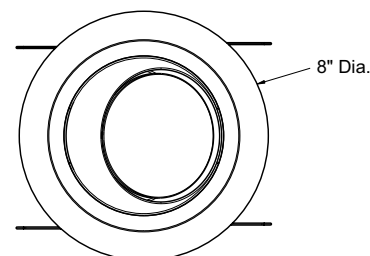
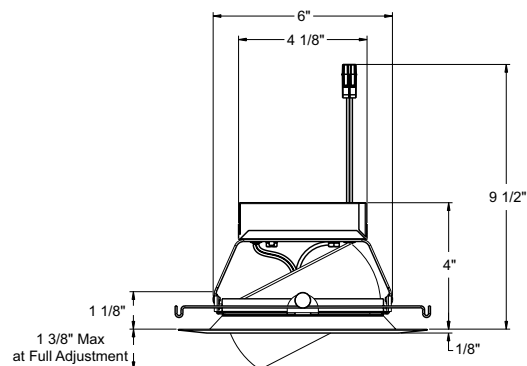
Thomas housings: PS1 and PS3 Series

Capri housings: CR1, PR1, QL6 Series, P9ASIC Series

Lithonia housings: L7X and LC6 Series



DIMENSIONS



ELECTRICAL DATA

| 120V | |
|-----------------------|---|
| Input Power | 15.8W (+/-5%) |
| Input Current - Max | 0.13A |
| Frequency | 50/60Hz |
| EMI/RFI | FCC Title 47 CFR, Part 15, Class B (consumer) |
| Minimum starting temp | -25°C |
| CRI | 90 min. |

ACCESSORIES

| Catalog Number | Description |
|---|---|
| V6RLTRB | Torsion receiver bracket kit to install trim into housings that do not have torsion receiver brackets |
| Replacement E26 screw base adapter for installation into incandescent housings. | |
| LEDRETROWHIP | Unit Pack |
| LEDRETROWHIP J10 | Job pack 10 pcs |
| LEDRETROWHIP J25 | Job pack 25 pcs |

To order, specify catalog number.



6" IC LED RETROFIT EYEBALL TRIM

900 LUMEN

J6RLE G4

ORDERING INFORMATION

Ordering Example: J6RLE G4 09LM 27K 90CRI 120 FRPC WH

| Series | Generation | Lumens | Color Temperature | Color Rendering Index |
|---|-----------------|-------------------------|--|-----------------------|
| J6RLE 6" LED Retrofit Eyeball Trim Module | G4 Generation 4 | 09LM 900 Nominal Lumens | 27K 2700K 30K 3000K 35K 3500K 40K 4000K | 90CRI 90+ CRI |

| Voltage | Driver | Finish | Options |
|----------|--------------------------------|----------|--|
| 120 120V | FRPC Forward/Reverse Phase Cut | WH White | L/SKTWHIP ¹ Less Socket Whip (California Only) E26 screw base adapter not included |

| ACCESSORIES | |
|----------------|--------------------------|
| LEDOPTICG3 MFL | Medium Flood Optic (50°) |
| LEDOPTICG3 NFL | Narrow Flood Optic (37°) |
| LEDOPTICG3 SP | Spot Optic (10°) |

Notes:

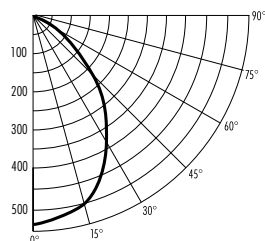
¹ Required for shipments to California.

PHOTOMETRIC REPORT

Test Report #: PT03151801R
 Catalog No: J6RLE G4 09LM 27K
 90CRI 120 FRPC WH
 with standard
 wide beam optic

Luminaire Spacing Criterion: 1.10

Luminaire LPW: 62



CANDLEPOWER DISTRIBUTION (Candelas)

| Degrees Vertical | Candelas |
|------------------|---------------------------------------|
| 0° | 544 |
| 5 | 541 |
| 15 | 508 |
| 25 | 433 |
| 35 | 346 |
| 45 | 234 |
| 55 | 123 |
| 65 | 57 |
| 75 | 22 |
| 85 | 4 |
| 90 | 0 |
| Multipliers: | 3K - 1.08 35K - 1.14 41K - 1.18 |

AVERAGE INITIAL FOOTCANDLES

Multiple Units (Square Array, 60"x60" room)

Ceiling 80% Wall 50% Floor 20%

| Spacing | RCR1 | RCR3 | RCR5 |
|---------|------|------|------|
| 4.0° | 66 | 54 | 44 |
| 5.0° | 42 | 34 | 28 |
| 6.0° | 29 | 24 | 19 |
| 7.0° | 24 | 19 | 16 |
| 8.0° | 19 | 15 | 12 |
| 9.0° | 14 | 12 | 10 |
| 10.0° | 11 | 9 | 7 |

ZONAL LUMEN SUMMARY

| Zone | Lumens | %Lamp | %Fixture |
|-------|--------|-------|----------|
| 0-30° | 393 | N/A | 39.9 |
| 0-40° | 608 | N/A | 61.7 |
| 0-60° | 900 | N/A | 91.3 |
| 0-90° | 986 | N/A | 100.0 |

INITIAL FOOTCANDLES (One Unit, 15.8W, 83.6° Beam)

| Distance to Illuminated Plane (Feet) | Footcandles Beam Center | Beam Diameter |
|--------------------------------------|-------------------------|---------------|
| 4 | 33.9 | 7.2' |
| 6 | 15.1 | 10.7' |
| 8 | 8.5 | 14.3' |
| 10 | 5.4 | 17.9' |

LUMINANCE (Average cd/m²)

| Degrees | Average Luminance |
|---------|-------------------|
| 45 | 37036 |
| 55 | 23964 |
| 65 | 15001 |
| 75 | 9482 |
| 85 | 4569 |

Fixtures tested to IES recommended standard for solid state lighting per LM-79-08. Photometric performance on a single unit represents a baseline of performance for the fixture. Results may vary in the field.

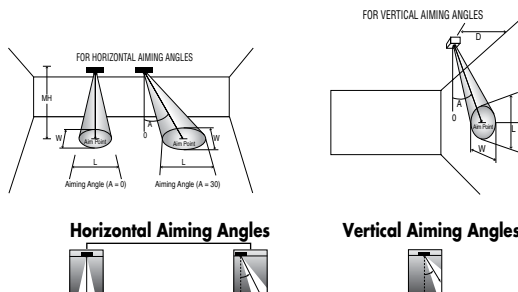
6" IC LED RETROFIT EYEBALL TRIM

900 LUMEN

J6RLE G4

CBCP • Centerbeam candlepower
FC • Footcandles at beam center (aim point)

In vertical aiming applications, aim point (X) is determined by dividing distance from the wall (D) by the tangent of the desired aim angle (A) (0.5774 for 30°).



| Fixture | Beam Type | Beam Spread° | Rated Life | CBCP | 0° | | | 30° | | | 30° | | | | | |
|--|-----------|--------------|------------|------|-----|-----|-----|-----|------|-----|-----|---|-----|-----|------|-----|
| | | | | | MH | FC | L | W | FC | L | W | D | FC | X | L | W |
| J6RLE G4 09LM 27K 90CRI 120 FRPC WH with LEDOPTICG3 MFL Medium Flood Optic | MFL | 50° | 50000 | 913 | 3 | 102 | 2.8 | 2.8 | 66 | 4.0 | 3.2 | 1 | 115 | 1.7 | 10.7 | 1.9 |
| | | | | | 4 | 57 | 3.7 | 3.7 | 37 | 5.4 | 4.3 | 2 | 29 | 3.5 | 21.5 | 3.7 |
| | | | | | 5 | 37 | 4.7 | 4.7 | 24 | 6.7 | 5.4 | 3 | 13 | 5.2 | 32.2 | 5.6 |
| | | | | | 6 | 25 | 5.6 | 5.6 | 17 | 8.0 | 6.5 | 4 | 7 | 6.9 | 42.9 | 7.5 |
| J6RLE G4 09LM 27K 90CRI 120 FRPC WH with LEDOPTICG3 NFL Narrow Flood Optic | NFL | 37° | 50000 | 1044 | 3 | 116 | 2.0 | 2.0 | 75 | 2.8 | 2.3 | 1 | 131 | 1.7 | 4.0 | 1.3 |
| | | | | | 4 | 65 | 2.7 | 2.7 | 42 | 3.7 | 3.1 | 2 | 33 | 3.5 | 8.1 | 2.7 |
| | | | | | 5 | 42 | 3.3 | 3.3 | 27 | 4.6 | 3.9 | 3 | 15 | 5.2 | 12.1 | 4.0 |
| | | | | | 6 | 29 | 4.0 | 4.0 | 19 | 5.6 | 4.6 | 4 | 8 | 6.9 | 16.1 | 5.4 |
| J6RLE G4 09LM 27K 90CRI 120 FRPC WH with LEDOPTICG3 SP Spot Optic | SP | 10° | 50000 | 5064 | 4 | 317 | 0.7 | 0.7 | 206 | 0.9 | 0.8 | 2 | 158 | 3.5 | 1.4 | 0.7 |
| | | | | | 5 | 203 | 0.9 | 0.9 | 132 | 1.2 | 1.0 | 3 | 70 | 5.2 | 2.1 | 1.0 |
| | | | | | 6 | 141 | 1.0 | 1.0 | 91 | 1.4 | 1.2 | 4 | 40 | 6.9 | 2.9 | 1.4 |
| | | | | | 7 | 103 | 1.2 | 1.2 | 67 | 1.6 | 1.4 | 5 | 25 | 8.7 | 3.6 | 1.7 |
| 8 | 79 | 1.4 | 1.4 | 51 | 1.9 | 1.6 | 6 | 18 | 10.4 | 4.3 | 2.1 | | | | | |

For 30K fixtures, use 1.08 multiplier; for 35K fixtures, use 1.14 multiplier; for 40K fixtures, use 1.18 multiplier.