

**READ AND FOLLOW ALL SAFETY INSTRUCTIONS!
SAVE THESE INSTRUCTIONS AND DELIVER TO OWNER AFTER INSTALLATION**

IMPORTANT SAFETY INSTRUCTIONS

▲WARNING

To reduce the risk of death, injury or property damage from fire, electric shock, cuts, abrasions, falling parts, and other hazards:

- Service of the equipment must be performed by qualified service personnel.
- Installation and maintenance must be performed by a person familiar with the construction and operation of this product and any hazards involved. All applicable codes and ordinances must be followed.
- Read this document before installing, servicing, or maintaining this equipment or installing a lamp. These instructions do not cover all installation, service, and maintenance situations. If your situation is not covered, or if you do not understand these instructions or additional information is required, contact *Lithonia Lighting* or your local *Lithonia Lighting* Distributor.
- Read and follow all warnings and instructions provided by the lamp manufacturer.

▲WARNING

Before installing, servicing, or maintaining this equipment, follow these general precautions.

To reduce the risk of electrocution:

- Make sure the equipment is properly grounded.
- Always de-energize the circuit and/or equipment before connecting to, disconnecting from, or servicing the equipment.

To reduce the risk of fire:

- Keep material away that can burn from hot lamp.
- Make sure lamps are correctly installed.
- Use supply conductors with a minimum installation temperature rating as specified on equipment.

To reduce the risk of personal injury from cuts, abrasions, or falling parts:

- Wear gloves to prevent cuts or abrasions from sharp edges when removing from carton, handling and maintaining this equipment.
- Do not use abrasive materials, glass cleaners or other solvents on reflector or lens. These substances may damage equipment and cause parts to eventually break and fall.
- Do not install a damaged fixture.

▲CAUTION: Observe lamp manufacturer's recommendations and restrictions on lamp operation, including but not limited to ballast type, burning position, replacement and cycling. Use only lamps that comply with applicable ANSI standards.

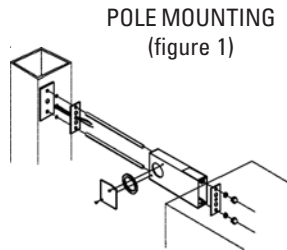
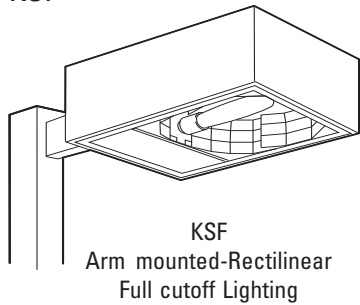
NOTICE: If lamp is marked  it contains mercury. Follow disposal laws. See www.lamprecycle.org

Lithonia Lighting, a division of *Acuity Brands Lighting*, Inc., assumes no responsibility for claims arising out of improper or careless installation or handling of this product.

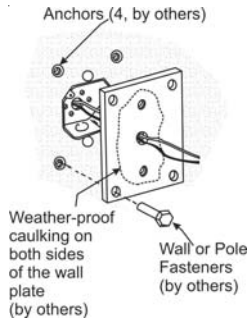
SAVE THESE INSTRUCTIONS

Installation Instructions KSF

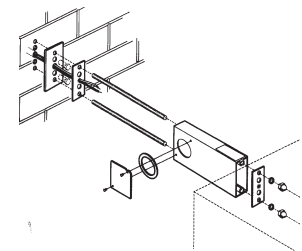
Tools Required: Straight blade screwdriver and 3/4" open-end wrench (for wall or wood pole: also need a drill with 5/8" bit).



WALL BRACKET (WB) (figure 2)



WALL OR WOOD POLE MOUNTING (WW) (figure 3)



DELIVERY: Upon receipt of fixture and accessories (packed separately), thoroughly inspect for any freight damage. All damage should be reported to the delivery carrier. Compare the catalog description listed on the packing slip with the fixture label on the inside of the housing to be sure you have received the correct merchandise.

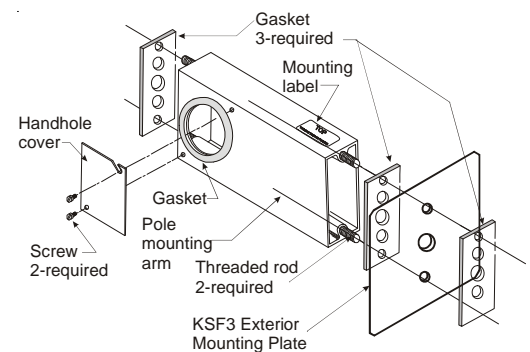
1. **POLE:** (see Figure 1) Insert the mounting plate inside pole or tenon adapter, aligning the three (3) mounting holes in plate with the three (3) mounting holes provided on pole. Slide threaded rods through top and bottom mounting holes in poles and start to thread the rods into the matching holes in the mounting plate. A few turns is all that is needed. Place one of the enclosed gaskets over threaded rods and against pole.

WALL and WOOD: **CAUTION:** APPLY A CONTINUOUS BEAD OF WEATHER-PROOF CAULKING BETWEEN MOUNTING PLATE AND WALL TO ENSURE WEATHER-TIGHT INTEGRITY OF ELECTRICAL COMPONENTS. **Wall or Wood Pole Mounting -** Place mounting plate on mounting surface. For WB (see Figure 2), secure the mounting plate to the wall with four (4) (minimum) 1/2" to (maximum) 5/8" fasteners (by others). For WW (see Figure 3): mark first and fifth holes of plate; remove mounting plate and drill 5/8" hole at marked locations (minimum of 3/4" to accept fixture mounting rods); secure mounting plate to mounting surface (fasteners not provided) using second and fourth holes. Insert the two threaded fixture mounting rods into mounting plate and turn to secure.

2. The mounting arm is cut with a 2° angle on one end to pitch fixture slightly upward. In order to mount arm properly, follow the instructions on the label that is on the arm. To mount arm, slide arm over threaded rod using the bolt guides inside arm. Again, check to see that label is in the correct place. Place remaining gasket over threaded rods and against mounting arm. **NOTE:** KSF3 requires an additional external mounting plate and gasket (parts in fixture carton) to be placed onto the threaded rods between the mounting arm gasket and the fixture housing (as shown in Figure 4).

3. To simplify installation, remove lens frame from fixture. To mount fixture, align the gasket to mounting holes between fixture housing and mounting bracket. Insert threaded rods into fixture, being careful to align gasketing between fixture housing and mounting arm. Install split lockwashers and cap nuts (furnished) on threaded rod and tighten securely. During this process, be sure the fixture is mounted straight on pole or wall.

4. Pull both supply and fixture leads into mounting arm or pole top. Complete the wiring through the hand-hole access cover or in the pole top following instruction listed under wiring fixture. Lamp the fixture following lamping instructions and install lens frame. Swing hand-hole cover into closed position and secure (when applicable).



(figure 4)

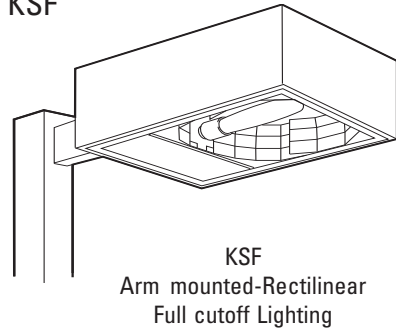
LAMP INSTALLATION AND RE-INSTALLATION: Verify the lamp is the correct source and wattage. Screw the lamp securely into the socket; back it out one or two turns, then screw lamp back in, making sure it is secure and properly seats lamp in the socket. Lamp at end of life should be promptly replaced. Failure to do so may cause damage to components.

OPTICAL ROTATION — WARNING: Burn Risk - Ensure lamp cools before performing maintenance. Open door assembly. Remove lamp. Gently pull reflector away from reflector skirt. Rotate optical assembly in 90 degree increments to desired light output as indicated by light distribution arrow on reflector. Insert reflector assembly back into opening by lining up the four ball studs and their receptacles and gently pushing down until all four ball studs click into place (you will hear an audible click). Reinstall lamp (see above). Close door assembly.

Multi-tap Ballast (TB) The multi-tap ballast will be prewired for 277V at the factory. This option offers multi voltage capability. First determine the correct line voltage. Then select the corresponding fixture voltage lead, remove the crimped cap and connect to the supply voltage lead. The fixture lead marked COM should be connected to the neutral supply lead for 120 or 277. For 208 or 240, connect the other incoming hot leg to the fixture lead marked "COM". Be sure to cap off all unused fixture leads individually.

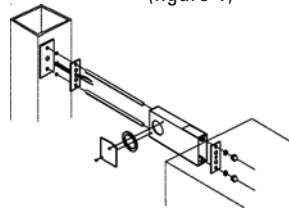
TROUBLESHOOTING - If this fixture fails to operate properly, check to make sure: •The correct lamp is properly installed. •The fixture is wired correctly. •The lamp is not faulty. •The fixture is grounded correctly. •The line voltage at the fixture is correct.

Installation Instructions KSF

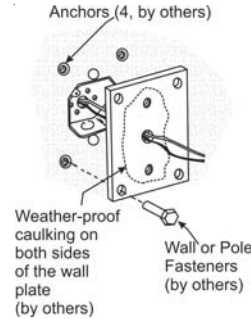


Outils requis : Tournevis (à pointe cruciforme ou lame droite), clé de 9/16 po

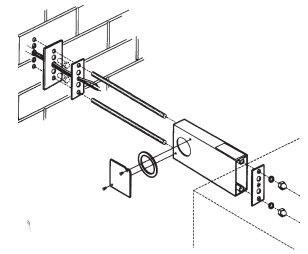
POLE MOUNTING (figure 1)



WALL BRACKET (WB) (figure 2)



WALL OR WOOD POLE MOUNTING (WW) (figure 3)



INSTALLATION

MONTAGE DE L'APPAREIL

S'assurer qu'aucune pièce ne reste dans la boîte avant de la jeter.

- POTEAU :** Insérer la plaque de montage dans le poteau ou l'adaptateur de tenon, aligner les trois (3) trous de la plaque aux trois (3) trous du poteau. Glisser les tiges filetées au travers les trous du haut et du bas et commencer à visser les tiges dans les trous correspondants de la plaque de montage. Quelques tours suffiront. Placer un des joints d'étanchéité fournis sur les tiges.
Fixer la plaque de montage au mur ou au poteau en bois à l'aide d'une fixation d'un diamètre de 1/2 po min. à 5/8 po max. (par d'autres). Percer des trous de passage d'au moins 9/16 po dia. et 1/2 po de profondeur pour les tiges filetées à installer au travers les trous de la plaque de montage. Visser partiellement les tiges dans les trous correspondants de la plaque, quelques tours seront suffisants. Placer un des joints fournis sur les tiges filetées et contre la plaque de montage.
- Le bras de montage est coupé à angle de 2° à une extrémité, afin d'orienter le luminaire vers le haut. Suivre les directives de l'étiquette à cet effet. Pour le montage, glisser le bras sur la tige filetée à l'aide des guides à l'intérieur du bras. S'assurer que l'étiquette est au bon endroit. Poser le joint d'étanchéité restant sur les tiges filetées et le bras.
- Enlever le cadre de lentille du luminaire pour faciliter l'installation. Pour monter l'appareil, aligner le joint d'étanchéité sur les trous entre le boîtier et le support de montage. Insérer les tiges filetées dans l'appareil, s'assurer d'aligner le joint entre le boîtier et le bras de montage. Installer les rondelles freins et les écrous borgnes (fournis) sur la tige filetée et bien serrer. S'assurer que le luminaire est droit et bien ajusté au poteau ou au mur.
- Acheminer les fils d'alimentation et les conducteurs de l'appareil dans le bras de montage ou le dessus du poteau. Compléter le câblage par le couvercle de la trappe d'accès ou le dessus du poteau en suivant les directives de câblage. Poser la lampe selon les directives et remettre le cadre de lentille. Fermer le couvercle de la trappe d'accès et fixer (s'il y a lieu).

INSTALLATION DE LA LAMPE

Avant d'installer la lampe dans l'appareil, s'assurer que le type de lampe et la puissance sont appropriés. Dégager le fermoir du cadre de porte de la lentille en le tournant dans le sens inverse des aiguilles d'une montre au moyen d'un tournevis. Soulever le cadre en soutenant l'unité en position ouverte. Visser solidement la lampe dans la douille, la dévisser d'un ou deux tours, puis revisser pour assurer une bonne installation. Fixer le fermoir du cadre en le tournant dans le sens horaire jusqu'à ce que bien serré.

ROTATION DES COMPOSANTS OPTIQUES

Dégager les vis de fermeture du boîtier pour ouvrir le montage lentille. Retirer le plateau du réflecteur de son support. La rotation du bloc optique s'effectue en segments de 90 degrés afin d'obtenir l'effet d'éclairage voulu. Une fois la nouvelle orientation choisie, repousser le plateau sur son support. S'assurer que tous les pivots à rotule situés sur le plateau du réflecteur s'engagent au support de montage. Fermer le montage lentille.

BALLAST MULTIPRISES - TB

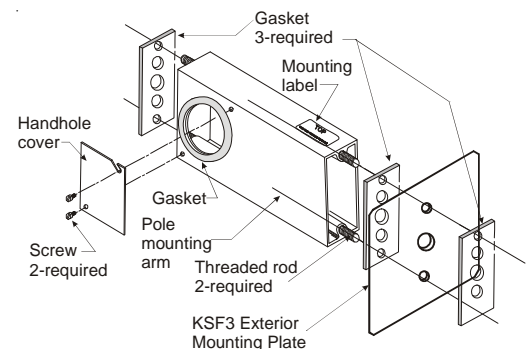
Permet le choix de tension. Pour câbler ce ballast, d'abord identifier la tension de secteur. Puis sélectionner le conducteur adéquat du luminaire, enlever le sertissage et connecter au conducteur de l'alimentation. Connecter le fil COM de l'appareil au fil neutre de l'alimentation, pour tous les appareils avec ballast multiprièses. Protéger individuellement chaque conducteur inutilisé de l'appareil.

GUIDE DE DÉPANNAGE :

Dans le cas d'un fonctionnement inadéquat de l'appareil, vérifier d'abord ce qui suit :

- La lampe installée est adéquate.
- L'appareil est câblé correctement.
- La lampe n'est pas grillée ou défectueuse.
- L'appareil est correctement mis à la terre.
- La tension de secteur (l'alimentation à l'unité) est adéquate.

Si, après avoir effectué toutes ces vérifications, l'appareil ne fonctionne pas adéquatement, veuillez contacter votre représentant Lithonia Lighting.



(figure 4)