

## FEATURES & SPECIFICATIONS

### INTENDED USE

Small, attractive remote head utilizing MR11 lamps. Ideal for use outside of doorways to meet exit discharge requirement of the Life Safety Code. To be powered by 6- or 12-volt battery equipment as part of an emergency lighting system providing light for the path of egress.

### CONSTRUCTION

Die-cast aluminum body with cast bronze knuckle. Cylinder standard with black finish. Tempered glass lens.

### INSTALLATION

1/2" NPT adjustable knuckle. Single mounting plate - round die-cast 4-0 box cover.

Twin mounting plate dimensions (rectangle): 4-1/2"L x 2-7/8"W.

### OPTICS

Variety of MR11 lamp wattages and voltages available.

### LISTING

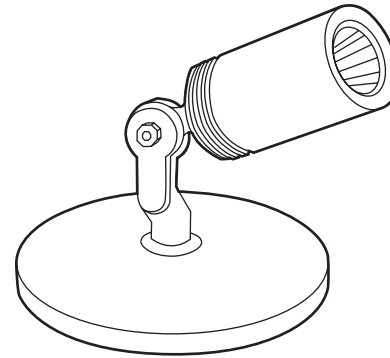
UL Listed. IP rating: 65. UL Listed for wet locations.

Note: Specifications subject to change without notice.

Actual performance may differ as a result of end-user environment and application.

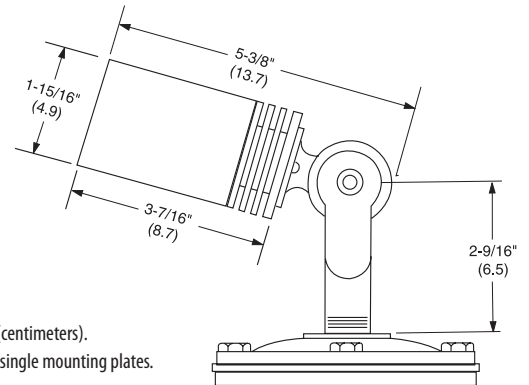
Catalog Number
Notes
Type

### Unit Accessories



# ELA OMC

## Outdoor Mini Cylinder



All dimensions are inches (centimeters).  
Dimensions shown are for single mounting plates.

ORDERING INFORMATION		For shortest led times, configure product using <b>standard options (shown in bold)</b> .			Example: ELA OMC H0506	
ELA			OMC			
Series	Housing color	Number of heads	Fixture	Lamp type		
<b>ELA</b>	<b>(blank)</b> Black DNA Natural aluminum DDB Dark bronze	<b>(blank)</b> Single T Twin	<b>OMC</b> Outdoor mini-cylinder	H0506 5W/6V MR11 lamp H1006 10W/6V MR11 lamp H2006 20W/6V MR11 lamp H1012 10W/12V MR11 lamp H2012 20W/12V MR11 lamp		

# ELA OMC-ELA AFNR Unit Accessories

## FEATURES & SPECIFICATIONS

### INTENDED USE

For applications requiring low-profile, attractive emergency lighting.

To be powered by 6V battery equipment as part of an emergency lighting system, providing light for the path of egress. Ideal for damp and wet location areas requiring remote lighting.

### CONSTRUCTION

Compact, low-profile, architectural design with die-cast aluminum housing. Available finishes are texturized polyester powder coat paint in brushed nickel, white, black and dark bronze. All finishes can be painted in the field to match the wall color of choice.

### U.S. Patent No. D468,046.

Two 6-watt, 6-volt, wedge-base xenon lamps offer 55 percent more light output than standard incandescent lamps. Meets requirements for NEC 700.16.

Forward throw (FWD) option optics provided with two high-brightness white LEDs, projecting an NFPA-101 compliant path 3' wide and 28' forward, when mounted 8-1/2' AFF. The typical life of the LED lamp is 10 years.

Patent-pending reflector/refractor design features superior vac-metalized, die-casted reflectors; and multi-faceted, highly transmissive refractor that significantly improve photometrics.

Universal J-box mounting pattern.

Rigid conduit entry provision on top of the unit.

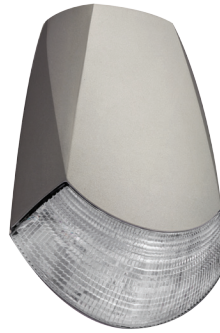
### LISTING

UL Listed for wet locations in accordance with UL 924. Cold weather listed -40°F to 122°F (-40°C to 50°C).

Note: Specifications subject to change without notice.

Actual performance may differ as a result of end-user environment and application.

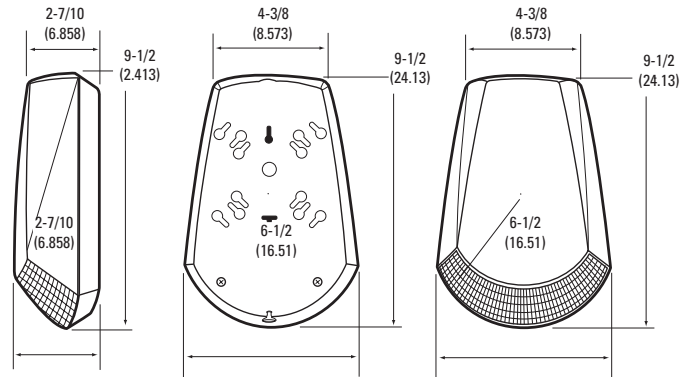
Catalog Number
Notes
Type



**AFFINITY®**  
Unit Accessories

# ELA AFNR

**Remote Fixture**



All dimensions are inches (centimeters).

Shipping weight: 2.3 lbs. (1.59 kgs.)

### ORDERING INFORMATION

For shortest led times, configure product using **standard options (shown in bold)**.

**Example: ELA AFNR DB**

ELA	AFNR		
Series	Fixture	Finish	Options
ELA <sup>1</sup>	<b>AFNR</b> Remote Affinity fixture	<b>W</b> White <b>B</b> Black <b>BN</b> Brushed nickel <b>DB</b> Dark Bronze	<b>FWD</b> Forward throw optics with LED light source

NOTE:

<sup>1</sup> Refer to [AFN](#) specification sheet for photometric and dimensional data.