

FEATURES & SPECIFICATIONS

CONSTRUCTION

Dual-voltage input capability (120V or 277V).
 All-metal housing and gimbal assembly.
 Matte white baked enamel finish.
 High-output 8-watt halogen lamp.
 Lamp adjusts in two planes to 26°.
 Low-profile pilot light and test switch.
 Approved for use in air handling plenums.
 Provided standard with bar hangers.

ELECTRICAL

Sealed, maintenance-free lead calcium battery provides 10 watts rated capacity.
 24-hour recharge after 90-minute discharge.
 Low-voltage disconnect prevents excessively deep discharge that permanently damages the battery.
 Current limiting charger maximizes battery life and minimizes energy consumption.
 Short-circuit protection. Current limiting charger circuitry protects printed circuit board from shorts.
 Thermal protection senses circuit, temperature and adjusts charge current to prevent overheating and charger failure.
 Regulated charge voltage maintains constant charge voltage over a wide range of line voltages. Prevents over/under charging that shortens battery life and reduces capacity.
 Brownout protection.
 AC/LVD allows battery connection before AC power is applied and prevents battery damage from deep discharge. Unit should not be left in reset mode for more than 72 hours.

LISTINGS

UL listed. Non-IC recessed mounting. Meets UL924, NFPA 101 (current Life Safety Code) and NFPA 70-NEC.

WARRANTY

Three-year warranty.

Catalog Number
Notes
Type

Emergency Recessed Gimbal

ELRG

Emergency Operation



ORDERING INFORMATION

All configurations of this product are considered "standard" and have short lead times.

Example: ELRG

ELRG	
Family	
ELRG	Emergency lighting recessed gimbal

ELRG Emergency Recessed Gimbal

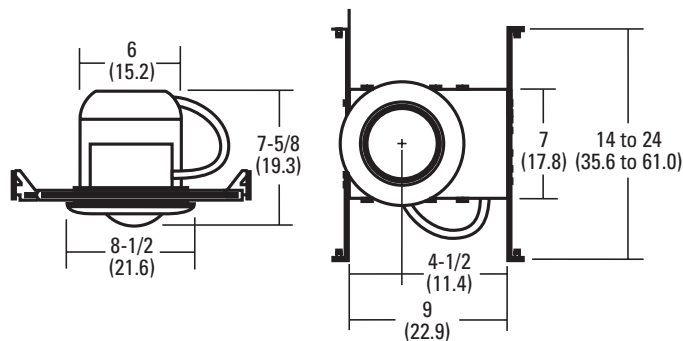
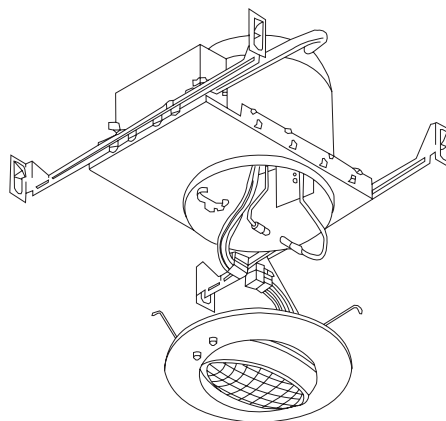
SPECIFICATIONS

ELECTRICAL			
Primary Circuit			
Supply voltage	AC input watts	Max. amps	VA
120	5.8	.052	6.2
277	5.9	.023	6.4

BATTERY				
Sealed Lead-Calcium				
Voltage	Shelf life ¹	Expected life ¹	Maintenance ²	Optimum temperature ³
6	12 Months	5-7 years	none	60°-190°F

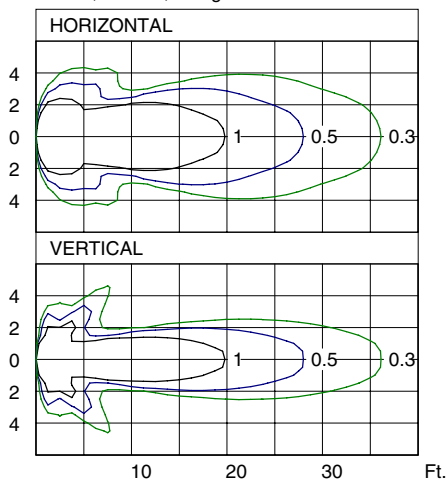
Notes

- At 77°F (25°C).
- All life safety equipment, including emergency lighting for path of egress must be maintained, serviced, and tested in accordance with all National Fire Protection Association (NFPA) and local codes. Failure to perform the required maintenance, service, or testing could jeopardize the safety of occupants and will void all warranties.
- Optimum ambient temperature range where unit will provide capacity for 90 minutes. Higher and lower temperatures affect life and capacity. Consult factory for detailed information.



PHOTOMETRICS

ELRG
6-volts, 8 watts, halogen



Replacement Lamp # 785

Specifications

Weight: 6.5 lbs (3 kg)

Ceiling opening dia.: 6 (15.2)

*All dimensions are in inches (cm).