

FEATURES & SPECIFICATIONS

INTENDED USE

An attractive and energy-efficient surface-mounted or suspended linear fluorescent luminaire, suitable for wet, damp and/or cold locations. For challenging situations where relatively low fixture mounting heights and wide fixture spacings are common — such as parking garages, industrial facilities, retail malls, multi-purpose centers and airports. **Certain airborne contaminants can diminish integrity of acrylic.** [Click here for Acrylic Environmental Compatibility table, for suitable uses.](#)

CONSTRUCTION

Shallow 4" depth overall and attractively contoured diffuser obscure lamp while maintaining high transmission of light. One-piece fiberglass housing with integral perimeter channel utilizing continuous poured-in-place closed cell gasket. Tool-less ballast and wiring access. Stainless steel latches are standard.

Power connection is easily accommodated through pre-drilled holes at each end, with wet location fittings provided for maximum flexibility. Easily mounted to ceilings and structure, or suspended with chain, cable or rod, using mounting brackets (included).

OPTICS

Precision-formed, high-performance, 95% total reflectance optics utilizing premium specular aluminum warranted for 25 years. White ballast cover has 93+% total reflectance and is finished with an in-house polyester powder coating system.

Factory-installed lamps are available in various CRI ratings, temperature colors and rated life. Lamps are secured with rotary locking lamp sockets for ease of relamping and to reduce lamps disconnecting due to vibration or incidental contact.

ELECTRICAL

All standard ballasts are electronic, energy saving, thermally protected, Class-P, HPF, non-PCB, Sound Rated A, UL/CSA certified where applicable and comply with 4 Federal Ballast Law (Public Law 100-357, 1988). Default ballast configuration is for two-lamp ballasts except for one-lamp fixtures.

UL listed wire, rated for required temperatures, used throughout.

INSTALLATION

May be surface mounted or suspended by chain or cable. Stainless steel mounting brackets included (two per luminaire), pre-punched for easy field-attachment of bolts, screws and other mounting hardware.

LISTINGS

UL Listed for wet locations up to 40°C ambient temperature. IP65, IP66 and IP67 rated.

WARRANTY

Standard one-year warranty for the fixture. Ballasts carry manufacturer warranties of three to five years, depending on the application.

Catalog Number
Notes
Type

Low-Profile Enclosed and Gasketed Industrial

FEN

T5, T5HO or T8 Lamp



CONFIGURATIONS					
All dimensions are shown in inches (centimeters) unless otherwise noted.					
SERIES	# OF LAMPS	LAMP TYPE	WIDTH	DEPTH	LENGTH
FEN2	1	17, 14T5, 24T5HO	4 (10.2)	4 (10.2)	25-7/8 (65.7)
FEN4	1	32, 28T5, 54T5HO	4 (10.2)	4 (10.2)	51-3/4 (131.4)

ORDERING INFORMATION

For shortest lead times, configure product using **bolded options**.

Example: FEN4 1 54T5HO BMPCL MVOLT GEB10PS90 LP841

Series	Number of lamps	Lamp type ¹	Distribution/Reflector	Shielding
FEN2 4" x 2" FEN4 4" x 4"	1	17 17W T8 (24") 14T5 14W T5 (22") 24T5HO 24W T5HO (22") 32 32W T8 (48") 28T5 28W T5 (46") 54T5HO 54W T5HO (46")	Distribution (blank) Flat ballast cover Reflector (blank) White ballast cover X32 MIRO [®] 4, ballast cover	BMPCL Polycarbonate, lineal ribbed lens
Voltage	Ballast configuration	Ballast	Lamp color	Options
MVOLT 120-277V, 60 Hz	(blank) 1-lamp ballast	GEB10ISH T8 electronic ballast, ≤10% THD, instant start, high BF GEB10IS T8 electronic ballast, ≤10% THD, instant start, normal BF GEB10ISL T8 electronic ballast, ≤10% THD, instant start, low BF GEB10PS T5 electronic ballast, ≤10% THD, programmed rapid start GEB10PS90 T5HO 90° electronic ballast, ≤10% THD, instant start, normal BF	(blank) No lamps LP830 85 CRI, 3000°K, standard life LP835 85 CRI, 3500°K, standard life LP841 85 CRI, 4100°K, standard life LP850 85 CRI, 5000°K, standard life	GLR Internal fast-blow fuse ²

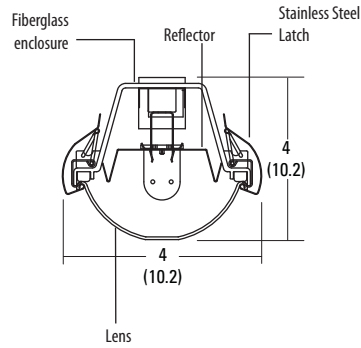
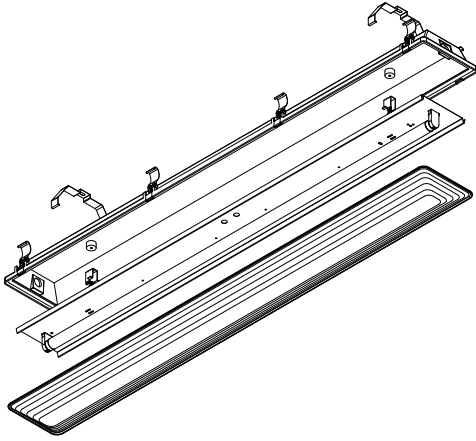
Notes

- See Configurations table for lamp compatibility.
- Must specify voltage.

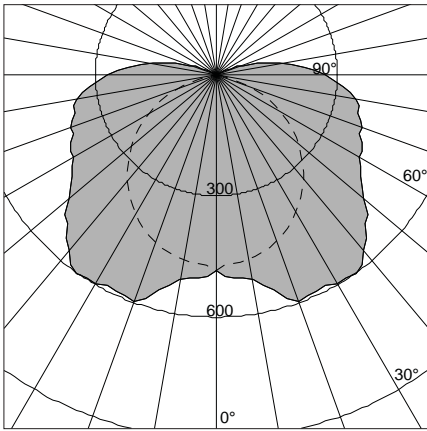
FEN Low-Profile Enclosed and Gasketed Specular

DIMENSIONS

All dimensions are shown in inches (centimeters) unless otherwise noted.
Specifications subject to change without notice.



PHOTOMETRICS



FEN4 1 32 X32
Test #ALP200504_S
Fixture Efficiency: 81.9%
SC Across: 1.7, SC Along: 1.2



An Acuity Brands Company

INDUSTRIAL: One Lithonia Way Conyers, GA 30012 Phone: 800.315.4963 Fax: 770-981-8191 www.lithonia.com

© 2009-2011 Acuity Brands Lighting, Inc. All rights reserved, Rev. 06/14/11

FEN