

FEATURES & SPECIFICATIONS

INTENDED USE

The perfect replacement for HID high bay luminaires. Typically located in retail, warehouse, industrial, commercial and manufacturing areas. Designed for large area lighting applications (5,000 - 1,000,000+ sq. ft.) and may be mounted at heights of 15' to 25'. **Certain airborne contaminants can diminish integrity of acrylic.** [Click here for Acrylic Environmental Compatibility table for suitable uses.](#)

CONSTRUCTION

Channel, ends and socket brackets are manufactured from 22-gauge cold rolled steel. Riveted and screwed assembly. Tool-less ballast and wiring access. Optional heavy-gauge steel or all-aluminum construction are available.

Lamp shielding options are provided with a 22ga., premium polyester powder coat finish door frame with two painted hinges and two painted opposing rotary cam latches. Lenses are held in place with lens clips. Optional double gasketing around door frame and lens is available.

Finish – Standard premium polyester powder coat finish, utilizing a seven-stage pretreatment process of iron phosphate, a non-chromium sealer and a de-ionized water rinse to provide superior adhesion and corrosion resistance. Specify PAF (powder coat after fabrication). Required for aluminum construction.

OPTICS

Precision formed, high performance, 95% total reflectance, segmented optics utilizing premium specular aluminum warranted for 25 years. White reflectors have 93+% total reflectance and are finished with an in-house polyester powder coating system. Reflector optics are available in a wide variety of photometric distributions and spacing criteria.

Factory installed lamps are available in various CRI ratings, temperature colors and rated life. Lamps are secured with rotary locking lamp sockets for ease of relamping and to reduce lamps disconnecting due to vibration or incidental contact.

High fixture efficiency and optical control deliver the peak candlepower needed to produce desired illumination levels from high mounting heights.

ELECTRICAL

All standard ballasts are electronic, energy saving, thermally protected, Class-P, HPF.

INSTALLATION

May be offset mounted to a hard ceiling or may be suspended by chain or cable, or may be monopoint mounted with appropriate accessories. Monopoint mounting available with 4' fixtures only.

LISTINGS

CSA Certified to U.S. and Canadian safety standards (UL1598 and CSA 250.0-08) for 0°C (32°F) and 30°C (85°F) lensed. Suitable for damp locations. With IMP option, fixture CSA Certified to UL1598. Without IMP option, fixture C-UL Listed to UL1598.

WARRANTY

Standard 1-year warranty for the fixture. Ballasts carry manufacturer warranties of 3-5 years, depending on the application.

Catalog Number
Notes
Type

Full-body Fluorescent High Bay

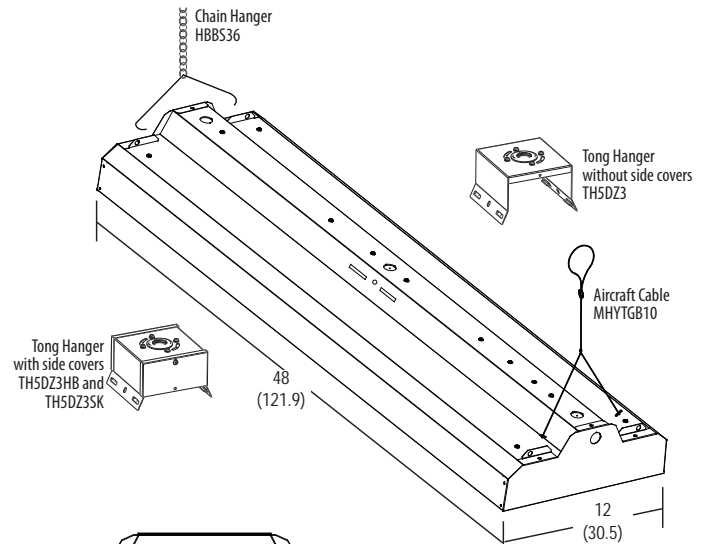
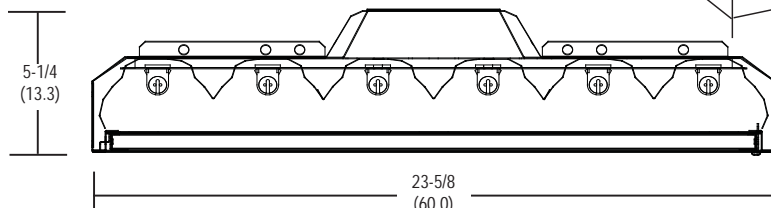
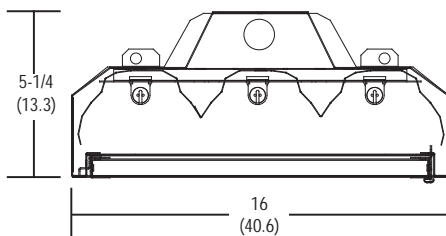
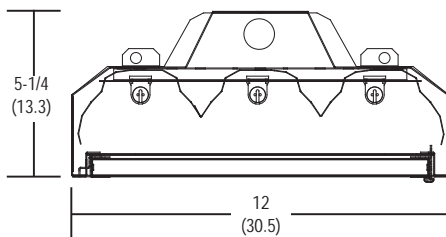
FOB

T5H0 or T8 Lamps



DIMENSIONS

All dimensions are shown in inches (centimeters) unless otherwise noted. Specifications subject to change without notice.



FOB Full-body Fluorescent High Bay

ORDERING INFORMATION

For shortest lead times, configure products using **bolded options**.

Example: FOB164 4 54T5HO T1X20 ACL MVOLT GEB10PS LP841

Series ¹	Number of lamps ^{1,2}	Lamp type	Distribution/Reflector ¹	Shielding	Voltage	Ballast configuration
FOB14 1' x 4'	2	54T5HO 54W T5HO	Distribution	(blank) No shielding	MVOLT 120-277V, 60 Hz	(blank) All 2-lamp ballasts ⁶
FOB164 16" x 4'	3	32 32W T8	Reflector	A12 Pattern 12 acrylic, 0.110"	HVOLT 347-480V, 60 Hz	1/3 (1) 3-lamp ballast
FOB24 2' x 4'	4		F1 Focus beam, (0.9 > SC) ^{3,4}	A12125 Pattern 12 acrylic, 0.125"		1/4 (1) 4-lamp ballast
FOB18 1' x 8'	6		T1 Task beam, (0.9 ≤ SC < 1.2)	ACL Clear acrylic, 0.125"		1/41/2 (1) 4-lamp and (1) 2-lamp ballast
FOB168 16" x 8'			N1 Normal beam, (1.2 ≤ SC ≤ 1.4)	PCL125 Clear polycarbonate, 0.125"		2/3 (2) 3-lamp ballasts
FOB28 2' x 8'			S1 Spread beam, (1.4 < SC ≤ 1.8)			2/4 (2) 4-lamp ballasts
			B1 Broad beam, (1.8 < SC) ⁴			3/4 (3) 4-lamp ballasts

Ballast	Lamp color	Options
GEB10ISH T8 electronic ballast, ≤10% THD, instant start, high BF	(blank) No lamps LP830 85 CRI, 3000°K, standard life	OUTCR Wiring leads pulled through back center of fixture ⁷ AB Double-gasketing
GEB10IS T8 electronic ballast, ≤10% THD, instant start, normal BF	LP835 85 CRI, 3500°K, standard life	20GA 20-gauge steel construction AL Aluminum construction ⁸
GEB10PS90 T5HO 90° electronic ballast, ≤10% THD, programmed rapid start	LP841 85 CRI, 4100°K, standard life LP850 85 CRI, 5000°K, standard life	WG Wireguard, 11-gauge, powder coat finish, external mounting IMP Integrated modular plug ^{9,10} IMP2 Integrated 2-circuit modular plug ^{9,10}
		GLR Internal fast-blow fuse ^{11,12} GMF Internal slow-blow fuse ^{11,12} EL14 Emergency battery pack ^{11,13,14} I162 1250 lumens per lamp battery ^{10,13,15} OCS RELOC® OnePass® 5' installed ¹¹ MSI Aisle motion sensor, pre-wired ¹⁶ MSI360 360° motion sensor, pre-wired ¹⁶
		Cord sets: CS1W Straight plug, 120V ^{17,18} CS3W Twist-lock, 120V ^{17,18} CS7W Straight plug, 277V ^{17,18} CS11W Twist-lock, 277V ^{17,18} CS25W Twist-lock, 347V ^{17,18} CS97W Twist-lock, 480V ^{17,18} CS93W 600 SO white cord, no plug (no voltage required)

CONFIGURATIONS

All dimensions are shown in inches (centimeters) unless otherwise noted.

SERIES	# OF LAMPS ²	DISTRIBUTION	WIDTH	DEPTH	LENGTH
FOB14, FOB18	2 or 3	F1, T1, N1, S1, B1	12 (30.5)	5-1/4 (13.3)	48 (121.9), 96 (243.8)
FOB164, FOB168	4	T1, N1, S1	16 (40.6)	5-1/4 (13.3)	48 (121.9), 96 (243.8)
FOB24, FOB28	6	T1, N1, S1	23-5/8 (60.0)	5-1/4 (13.3)	48 (121.9), 96 (243.8)

Notes

- See Configurations table for availability.
- Number of lamps per 4' section.
- Available with T5HO lamps only.
- Not available with prismatic lens option.
- Available only with a normal beam distribution.
- Not available in 4' fixtures with six or more lamps.
- Specify OUTCR when monopoint hanger will be used.
- Must specify PAF.
- Must be factory-installed. 120/277V only.
- Must have "IMP" power cord to power fixture. 120/277 voltage only.
- Specify voltage; 120 or 277 only.
- Not available with 347V.
- Not available with IB2PMP, IMP or IMP2.
- UL Listed for 55°C. Output in emergency mode varies with ambient temperature (approx. 1100 lumens at 25°C when using 49W lamps, and 911 lumens at 45°C). Single-lamp operation only. Not available with HVOLT. Not available with IMP or IMP2.
- Max 2500 lumens when used with 54W T5 lamps up to 55°C ambient temperatures (not available with HVOLT). Not available with IMP or IMP2.
- Specify voltage; 120, 208, 240, 277, 347 or 480.
- All cord sets are 18/3, 6', white.
- Cord sets are voltage specific. Specify voltage. Other configurations available. Consult factory.

Accessories: Order as separate catalog number.

Mounting:	Cord sets and sensors for IMP option:
THSDZ3 Monopoint hanger, w/ 3/4" KO	CS1WIMP Straight plug, 120V ^{11,17}
THSDZ3HB Monopoint hanger, w/ 3/4" hub	CS3WIMP Twist-lock, 120V ^{11,17}
THSDZ3SK Side covers for monopoint hangers	CS7WIMP Straight plug, 277V ^{11,17}
HBBS36 V hook with chain, 36" (2 hangers/kit)	CS11WIMP Twist-lock, 277V ^{11,17}
SCKFV Safety chain, 24"	CS93WIMP 600V SO white cord, no plug (no voltage required)
MHYTGB10 Aircraft cable, 2-toggle, 18" legs, 10' (2 hangers/kit)	MSIIMP Aisle sensor ^{10,11}
IBAC120 Aircraft cable, 2-hook, 18" legs, 10' (2 hangers/kit)	MSI360IMP 360° sensor ^{10,11}

PHOTOMETRICS

Consult factory.