

Catalog Number	
Notes	Type

## Full-body Fluorescent High Bay

### Specifications

**Reflectors** - Precision formed, high performance, 95% total reflectance, segmented optics utilizing premium specular aluminum warranted for 25 years. White reflectors have 93+% total reflectance and are finished with an in-house polyester powder coating system. Reflector optics are available in a wide variety of photometric distributions and spacing criteria.

**Construction** - Channel, ends and socket brackets are manufactured from 22-gauge cold rolled steel. Riveted and screwed assembly. Tool-less ballast and wiring access.

- Optional double-gasketing for lens and door, specify AB.
- Optional all aluminum construction, specify AL.
- Optional externally-mounted powder coat finish 11 gauge wireguard, specify WG.

**Lamp Shielding** - Lamp shielding options are provided with a 22ga., premium polyester powder coat finish door frame with two painted hinges and two painted opposing rotary cam latches. Lenses are held in place with lens clips.

**Finish** - Standard premium polyester powder coat finish, utilizing a 7-stage pretreatment process of iron phosphate, a non-chromium sealer and a de-ionized water rinse to provide superior adhesion and corrosion resistance.

**Ballasts** - All standard ballasts are electronic, energy saving, thermally protected, Class-P, HPF, non-PCB, Sound Rated A, UL/CSA certified where applicable and comply with © Federal Ballast Law (Public Law 100-357, 1988). Default ballast configuration is for two-lamp ballasts.

**Electrical** - UL listed wire, rated for required temperatures, used throughout. Lamps are secured with rotary locking lamp sockets for ease of relamping and to reduce lamps disconnecting due to vibration or incidental contact. Luminaire is bi-national listed (UL 1598 and CSA C22.2 No. 250.0-00) and is suitable for damp locations.

**Mounting** - The luminaire may be suspended by chain or cable, or may be monopoint mounted with appropriate accessories. Monopoint mounting available with 4' fixtures only.

**Lamps** - Factory installed lamps are available in various CRI ratings, temperature colors and rated life.

**Warranty** - Standard 1-year warranty for the fixture. Ballasts carry manufacturer warranties of 3-5 years, depending on the application.

Fixture Series	
<b>FOB164</b>	16" x 4'
<b>FOB168</b>	16" x 8'
Lamp Configuration	
<b>4</b>	4-lamp profile
Lamp Type/Wattage	
<b>54T5HO</b>	F54T5HO
<b>32</b>	F32T8
Photometric Distribution	
<b>T1</b>	Task Beam
<b>N1</b>	Normal Beam
<b>S1</b>	Spread Beam
Reflector	
<b>X20</b>	Specular Aluminum
<b>D20</b>	*White Powder Coat,
Lamp Shielding	
<b>(Blank)</b>	No Shielding
<b>A12</b>	Pattern 12 Acrylic, 0.110"
<b>A12125</b>	Pattern 12 Acrylic, 0.125"
<b>ACL</b>	Clear Acrylic, 0.125"
<b>PCL125</b>	Clear Polycarbonate, 0.125"
Voltage	
<b>MVOLT</b>	120 - 277V, 60 Hz
<b>HVOLT</b>	347 - 480V, 60 Hz
Ballast Configuration	
<b>(blank)</b>	(Two) Two-lamp Ballasts
<b>1/4</b>	(One) Four-lamp Ballast
<b>2/4</b>	(Two) Four-lamp Ballasts
Ballast Type	
<b>GEB10IS</b>	Normal BF, ≤10% THD, IS
<b>GEB10ISH</b>	High BF, ≤10% THD, IS
<b>GEB10PS</b>	1.0 BF, ≤10% THD, PRS
Lamps	
<b>(blank)</b>	No Lamps
<b>LP841</b>	Std Life, 4100°K, 85 CRI
Options	
<b>AB</b>	Double-gasketing
<b>AL</b>	Aluminum Construction
<b>WG</b>	Wireguard, 11 Gauge

\* Available only with a normal beam distribution.  
 \*\* Available only with T8 lamps.

## Applications

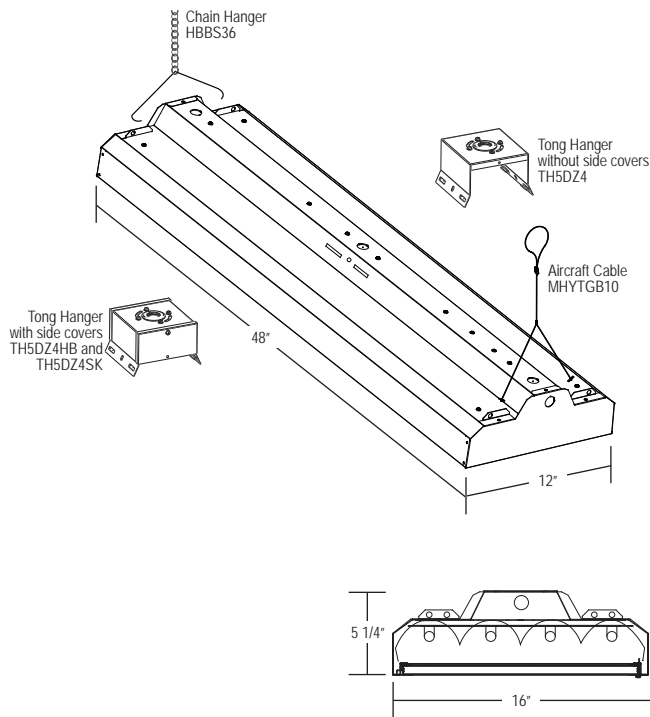
SpecLight's FOB series luminaire is the perfect replacement for HID high bay luminaires. It is typically located in retail, warehouse, industrial, commercial and manufacturing areas. The luminaire is designed for large area lighting applications (5,000 - 1,000,000+ sq. ft.) and may be mounted at heights of 15' to 40'.

## Features

High fixture efficiency and optical control deliver the peak candlepower needed to produce desired illumination levels from high mounting heights.

- Instant on/off control
- Improved horizontal and vertical illumination
- 85 CRI (fluorescent) v. 65 CRI (metal halide)
- 92% Lumen maintenance (fluorescent) v. 50% Lumen maintenance (metal halide)
- Long life - up to 35,000 hours
- 80+ Maintained Lumens per watt
- Energy savings of 25% or more vs. HID fixtures

## Dimensions



## Additional Options (installed on fixture)

- Battery Pack
- Motion Sensor
- Fusing
- Cord Sets
- RELOC®

## Accessories (order separately)

- Monopoint Hanger, w/ 3/4" KO
- Monopoint Hanger, w/ 3/4" hub
- Side covers for Monopoint Hangers
- Chain Hanger, 36" (2 hangers/kit)
- Safety Chain, 24"
- Aircraft Cable, 2-toggle, 18" legs, 10' (2 hangers/kit)
- Aircraft Cable, 2-hook, 18" legs, 10' (2 hangers/kit)
- THSDZ4
- THSDZ4HB
- THSDZ4SK
- HBBS36
- SCKFV
- MHYTGB10
- IBAC120

## Photometrics

SC Across Definitions:

- Focus ( $SC < 0.9$ ), i.e. F1
- Task ( $0.9 \leq SC < 1.2$ ), i.e. T1
- Normal ( $1.2 \leq SC \leq 1.4$ ), i.e. N1
- Spread ( $1.4 < SC \leq 1.8$ ), i.e. S1
- Broad ( $1.8 < SC$ ), i.e. B1

Consult Factory For Photometrics