

FEATURES & SPECIFICATIONS

INTENDED USE

Designed for maximum energy savings with efficient light distribution for general roadway and area lighting. Ideal for coastal areas or anywhere corrosion is a concern. **Certain airborne contaminants can diminish integrity of acrylic.** [Click here for Acrylic Environmental Compatibility table for suitable uses.](#)

CONSTRUCTION

Outer housing is constructed of non-corrosive ABS composite plastic with UV-inhibiting coating for long life in demanding environments.

ELECTRICAL

Standard ballast is high reactance (lag), high power factor. Reactor high power factor ballast is available (90W only).

OPTICAL SYSTEMS

Drop prismatic acrylic refractor allows for maximum control of light distribution. Optional prismatic polycarbonate refractor available for increased vandal resistance. Large surface area "breathing seal" gasket seals the optical chamber to prevent intrusion by insects and environmental contaminants. Heat-resistant gasket material remains effective over the life of the fixture.

INSTALLATION

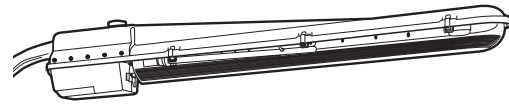
Mast-arm mount provides easy, secure installation and adjustability for arms from 1-1/4" to 2" (32mm to 51mm) mast arms.

LISTING

Standard product is NOT listed by UL, CSA or NOM. For listing availability, consult factory. Complies with ANSI: C136.2, C136.10, C136.15

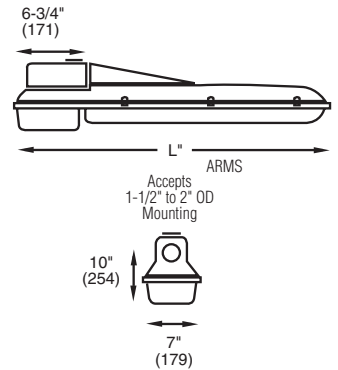
Catalog Number	
Notes	Type

Roadway Lighting



KP2

90-180W LOW PRESSURE SODIUM



Standard dimensions

(dimensions do not include mounting arm)

KP2 EPA: 1.45 ft² (.13m²)

Length: 63 7/16" (1611)

Weight: 37 lbs. (16.8kg)

All dimensions are inches (millimeters) unless otherwise noted.

ORDERING INFORMATION

Example: **KP2 135L R4 DLA 120 PER LPI**

Choose the boldface catalog nomenclature that best suits your needs and write it on the appropriate line. Order accessories as separate catalog number.

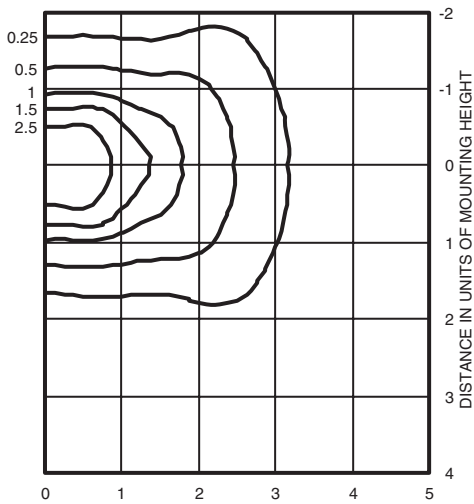
Series	Wattage/Lamp Source	Distribution	Lens	Voltage	Ballast Options	Options
KP2	90L 135L 180L	R4	DLA Drop lens acrylic DLP Drop lens polycarbonate	120 208 240 277 347 480 208/277 ² 277/208 ¹	(blank) Standard ballast (see above) RHP Reactor high power factor ³	Shipped Installed in Fixture LPI Lamp included as standard PER NEMA twist-lock receptacle only (photocontrol not included). PEU NEMA twist-lock PE (blank) Gray finish DGYG (standard)

Notes:

- 1 Wired 277V.
- 2 Wired 208V, 90L only
- 3 90L only with 480V.

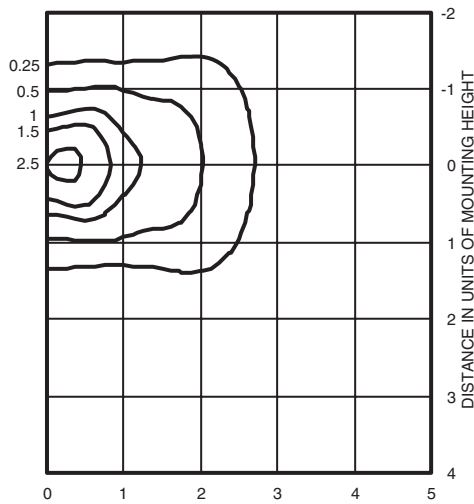
KP2 Low Pressure Sodium Roadway Lighting

KP2 135L R4 DLA TEST NO: LTL13218R
ISOILLUMINANCE PLOT (Footcandle)



135W low pressure sodium lamp, rated 22500 lumens. Footcandle values based on 20' mounting height.
Classification: Type IV, Medium, Noncutoff

KP2 90L R4 DLA TEST NO: LTL13219R
ISOILLUMINANCE PLOT (Footcandle)



90W low pressure sodium lamp, rated 13500 lumens. Footcandle values based on 20' mounting height.
Classification: Type IV, Medium, Semicutoff