

## FEATURES & SPECIFICATIONS

**INTENDED USE** — Provides volumetric lighting by filling the entire volume of space with light, delivering the ideal amount of light to walls, cubicles, work surfaces and people. Typical applications include corridors, lobbies, conference rooms and private offices. RT5D will fill the space with light without glare or cave effect of traditional downlights. In addition, RT5D with a single 32W triple-tube lamp provides up to 30% energy savings when compared to common two-lamp, 26W double twin-tube downlight.

**CONSTRUCTION** — 16-gauge galvanized steel mounting/plaster frame with mechanical trim retention integral yoke to retain optical system.

Rugged, one-piece white die-cast reflector system with linear facets softens and distributes light into the space (ships separately).

Mounting bars are 16-gauge galvanized steel with continuous 2-3/4" vertical adjustment, held in place with wingnuts. Post installation adjustment possible without the use of tools from above or below the ceiling.

Galvanized steel junction box with bottom-hinged access covers and spring latches. Two combination 1/2"-3/4" and three 1/2" knockouts for straight-through conduit runs. Capacity: 8 (4 in, 4 out) No. 12 AWG conductors, rated for 90°C.

Maximum 2" ceiling thickness.

**OPTICS** — Regressed, two-piece refractive system obscures the lamp and smoothly washes the reflector with light.

Impact modified acrylic prismatic refractor with polymer light diffusing film.

**ELECTRICAL** — Horizontally mounted, four-pin, positive-latch, thermoplastic socket.

Class P, thermally-protected high power factor electronic ballast mounted to the junction box (EL battery back mounted on ballast tray). Minimum starting temperature is 0°F/-18°C.

Low operating temperature rating is -20°C.

S5 option available for use with SIMPLY5™ Lighting Intelligence system with multi-level dimming. See SYNERGY® Lighting Controls specification sheets for more information.

Lamp socket base: 26W-42W (GX24Q); 26W (GX24Q-3); 32W (GX24Q-3); 42W (GX24Q-4).

**LISTINGS** — UL Listed to US and Canadian safety standards. Damp location listed.

Protected by US Patent No. D553,781.

Note: Specifications subject to change without notice.

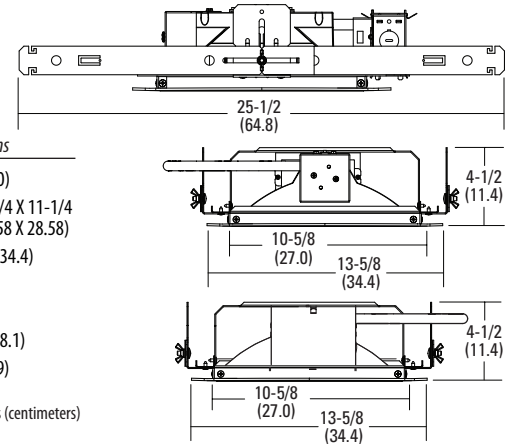
Catalog Number
Notes
Type



# RT5D

1' x 1'  
Horizontal Lamp  
Triple-Tube (TRT)

**SIMPLY5™**  
LIGHTING INTELLIGENCE



### ORDERING INFORMATION For shortest lead times, configure products using **bolded options**.

**Example: RT5D**

RT5D			
Series	Wattage/Lamp	Voltage	Options
<b>RT5D</b>	<b>(blank)</b> 1/26-42TRT <sup>1</sup>	<b>(blank)</b> MVOLT <sup>2</sup>	<b>EL</b> Emergency battery pack; integral test switch provided <sup>4</sup>
	<b>1/26TRT</b> One 26W TRT lamp	120 120V <sup>3</sup>	<b>ELR</b> Emergency battery pack; remote test switch provided <sup>4</sup>
	<b>1/32TRT</b> One 32W TRT lamp	277 277V <sup>3</sup>	<b>GMF</b> Single, slow-blow fuse <sup>3,4</sup>
	<b>1/42TRT</b> One 42W TRT lamp	347 347V <sup>5</sup>	<b>ADEZ</b> Advance Mark 10™ electronic dimming ballast, 120V or 277V; minimum dimming level 5% <sup>3,4</sup>
	<b>1/26DTT</b> One 26W DTT lamp		<b>ECOS</b> ECOS Lutron EcoSystem electronic dimming ballast, 120V or 277V; must be voltage specific. Minimum dimming level 5% <sup>1,3,4</sup>
			<b>WLP</b> 35K lamp (shipped separately)
			<b>BDP</b> Ballast disconnect plug (meets codes that require in-fixture disconnect)
			<b>S5</b> 1.0 ballast factor Simply5™ system <sup>4,6</sup>
			<b>SSHW</b> Hardwire for Simply5™ system; replaces RELOC™ wiring <sup>4,6</sup>
			<b>NSD</b> Sensor Switch nLight™ dimming relay <sup>7</sup>
			<b>CP</b> Chicago Plenum <sup>5</sup>

#### Notes

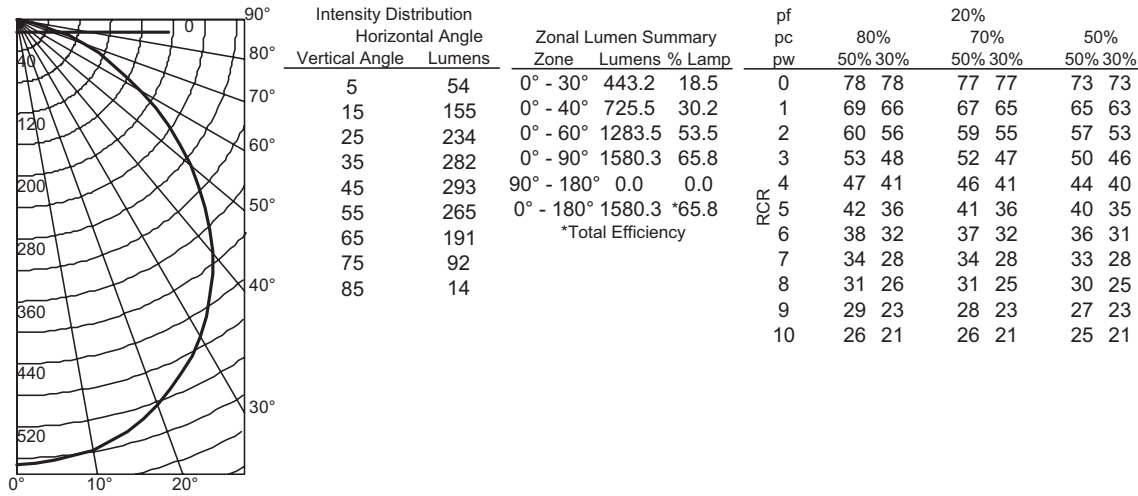
- 1 Not available with ECOS or WLP.
- 2 Electronic multi-volt ballast capable of operating any line voltage from 120-277V, 50 or 60Hz.
- 3 Wattage and voltage must be specified when ordering with GMF, ADEZ, and S5. ECOS is voltage specific.
- 4 Not available in 347V.
- 5 Not available with EL or ELR option.
- 6 SIMPLY5 includes 9' S5 MLC RELOC™ wiring system (shipped separately). Available in 120V or 277V only.
- 7 One 5A relay with one 0-10VDC dimming output, shipped installed. Requires additional nLight bus power supply.

Replacement Parts: Order as separate catalog number.	
Housing only	RT5D HSG U
Trim only	RT5D TRIM U

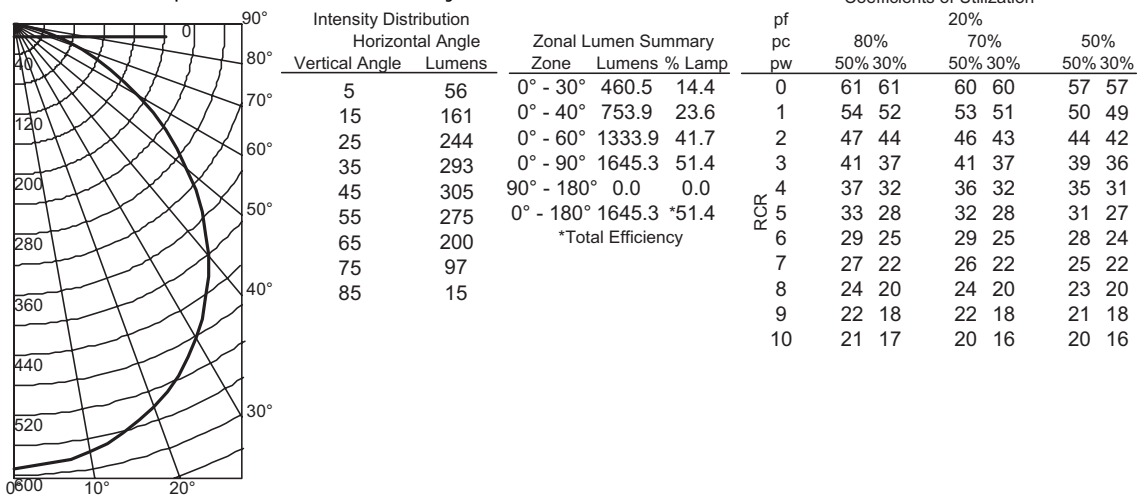
# RT5D Volumetric Recessed Downlight

## PHOTOMETRICS

RT5D, (1) 32W TRT lamp, 2400 rated lumens, s/mh 1.2 (along) 1.3 (across), test no. LTL15022



RT5D, (1) 42W TRT lamp, 3200 rated lumens, s/mh 1.2 (along) 1.3 (across), test no. LTL15019



RT5D, (1) 26W TRT lamp, 1800 rated lumens, s/mh 1.2 (along) 1.3 (across), test no. LTL15023

