

FEATURES & SPECIFICATIONS

INTENDED USE

Small, attractive rectangular outdoor remote step light. Ideal for use outside doorways to meet exit discharge requirements of the Life Safety Code. To be powered by 6- or 12-volt battery equipment as part of an emergency lighting system providing light for the path of egress.

CONSTRUCTION

Cast bronze fixture with stainless steel fasteners. Diffused tempered glass lens. Completely weatherproof with neoprene gasket.

INSTALLATION

One 3/4" NPT tapper entrance hub at each end standard.

Lamp: 50 Watt max. rating. Halogen GY6.35 bi-pin lamp - not included

LISTINGS

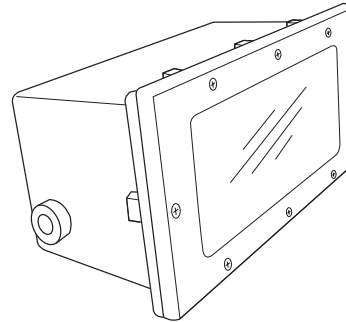
UL Listed. UL Listed for wet locations.

Note: Specifications subject to change without notice.

Actual performance may differ as a result of end-user environment and application.

| |
|----------------|
| Catalog Number |
| Notes |
| Type |

Unit Accessories



ELA OSL

Outdoor Step Light

ORDERING INFORMATION

Example: ELA OSL

| ELA | | OSL |
|--------|----------------|------------------------|
| Series | Housing color | Fixture |
| ELA | (blank) Bronze | OSL Outdoor step light |

ELA OSL Outdoor Step Light

DIMENSIONS

All dimensions are inches (centimeters)

