

INSTALLING LOWER HOUSING:

(Luminaire on Mast Arm) Insert lower housing hinge pins into the upper housing. Swing the lower housing up to the upper housing and press firmly upward until latch snaps into position.

NOTE: It is never necessary or advisable to slam the housing closed.

NOTE: Type IV is available only when using phosphor coated lamps.

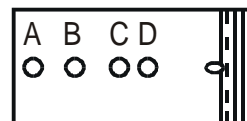


FIGURE 2

Socket Bracket

LIGHT DISTRIBUTION

LENS	LIGHT SOURCE	PATTERN*	SOCKET POSITION			
			D	C	B	A
Acrylic50-150W Polycarbonate	Clear HPS	Up (1) Down (2)	- II-M-SC	- -	- -	II-S-SC II-M-SC
Acrylic Polycarbonate	100-250W Clear Mercury Metal Halide	Up (1) Down (2)	- II-M-SC	- -	- -	II-S-SC II-M-SC
Acrylic	100-175W Deluxe Mercury MH Diffused HPS	Up (1) Down (2)	II-S-C II-S-SC	- -	- -	- III-S-SC
Polycarbonate	200-250W Clear HPS	Up (1) Down (2)	- II-M-SC	- -	- -	- III-M-SC
Glass Prismatic	50-150W Clear HPS	Up (1) Down (2)	- II-M-C	- II-M-SC	II-S-C III-M-C	III-S-C III-M-SC
Glass Prismatic	200-250W Clear HPS	Up (1) Down (2)	- -	- II-M-SC	- III-M-SC	- -
Glass Prismatic	100-250W Clear Mercury Metal Halide	Up (1) Down (2)	- II-M-SC	- -	- -	- III-S-SC
Glass Flat	50-150W HPS	Up (1) Down (2)	- -	- II-M-C	- -	- III-M-C**
Glass Flat	200-250W HPS	Up (1) Down (2)	- -	- -	- -	- II-S-C
Glass 11-2-4 Way	50-150 HPS 100-250W Clear Mercury	Up (1) Down (2)	- II-4 WAY SC	- -	- -	- -
Glass 11-2-4 Way	200-250W HPS	Up (1) Down (2)	- -	- -	- II-4 WAY SC	- -

Unless otherwise specified, socket settings at the factory are adjusted for clear lamps.

S = Short M = Medium SC = Semi Cutoff C = Cutoff NC = Non Cutoff

I = Type I II = Type II III = Type III

*Vertical Socket setting is set at the factory and is not field adjustable.

**Painted reflector only.

MAINTENANCE AND CLEANING

The reflector and lens should be cleaned periodically with a mild detergent and rinsed with clean water to maintain efficiency.

REFRACTOR/LENS REPLACEMENT

Open the lower door as previously outlined. Being careful to support the refractor/lens at all times, rotate the retaining clip. This will free the refractor/lens for replacement or cleaning. Reverse procedure for re-installation.

INSTALLATION INSTRUCTIONS

HORIZONTAL LUMINAIRE

115/116 & CHL SERIES

(Two-bolt Locking & Leveling)

WARNING: Disconnect power before relamping or wiring fixture. Housing must be grounded to reduce potential of electrical shock. Read all instructions completely before starting installation.

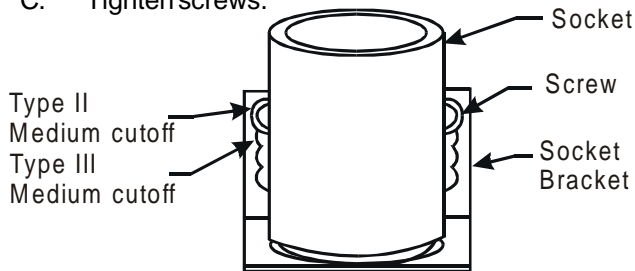
CAUTION: To prevent the risk of fire or shock, fixture must be installed in compliance with all applicable national and local electrical building codes. For code interpretation, consult local code authority.

WARNING: Risk of Fire. Product for outdoor installation and use only.

WARNING: Ensure that all power is disconnected prior to wiring.

SOCKET ADJUSTING OPTION (FOR AJ FLAT LENS)

- A. Loosen screws on socket bracket.
- B. Move bracket to desired position.
- C. Tighten screws.



Note: Vertical socket setting is set at the factory and is not field installable.

WARNING: Over-torquing of fitter (lamp bolts) can create cracks in the housing causing the fixture to fall to the ground.

REMOVE LOWER HOUSING

Lift lower housing hinge pins out of the hinges in the upper housing. Slide lower housing off hinge bar.

MOUNTING/LEVELING

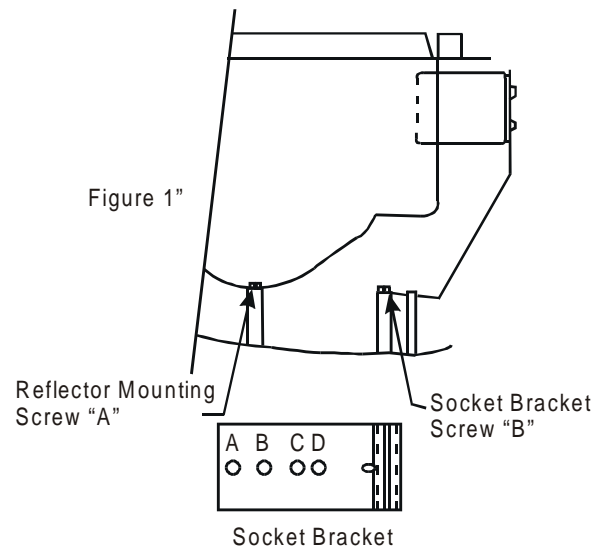
Determine the size of the mast arm. This luminaire is designed to accommodate a mast arm from 1-1/4" OD to 2" OD. The luminaire is factory set to mount to the 1-1/4" arm. To mount to a 2" mast arm, two modifications must be made.

One - The rear opening must be enlarged. Knock-outs are cast in around the rear opening for this purpose. To remove this excess material, strike with a hammer or grasp with pliers and break off.

Two - The fitter bracket must be removed and flipped over. (This will require the complete removal of the fitter bolts).

Loosen (do not remove) the fitter bolts. Lift the luminaire into position in front of the mast arm such that the mast arm enters through the opening at the rear of the luminaire and between the fitter bracket and the luminaire housing. The mast arm should rest against one of the cast-in steps located in this area. Using these cast-in steps, adjust luminaire to desired mounting angle. Tighten fitter bolts to 10-15 foot pounds.

SOCKET ADJUSTING OPTION (Standard & DJ Lens)



WIRING

Route supply wire through the mast arm and dress them so they do not interfere with any components. Refer to the luminaire data label and the ballast for connection and ratings information. Verify that the supply voltage is correct. Refer to the wiring diagram for connections information and make the necessary electrical connections to the terminal block and the green grounding screw.

INPUT VOLTAGE

If the voltage available is different from that shown on the terminal board, consult the wiring diagram for directions.

HORIZONTAL SETTING:

Remove lamp. Remove screw "A" in center of reflector. Lift reflector and slide out of unit. Remove screw "B" in socket bracket. Adjusting bracket forward or backward to line hole up with desired socket position A, B, C or D. Attach screw and retighten. Replace reflector over socket, replace screw and tighten. Relamp.

FRONT

PART NUMBER 057-71-65849
DRAWING B65849 REV. --