

## FEATURES & SPECIFICATIONS

**INTENDED USE** — Ideal where high brightness and good illumination levels are required such as retail, light industrial and warehouses. **Certain airborne contaminants can diminish the integrity of acrylic and/or polycarbonate.** [Click here for Acrylic-Polycarbonate Compatibility table for suitable uses.](#)

Attributes: Available in one lamp or two lamp configuration.

**CONSTRUCTION** — Heavy-duty channel, die-formed from code-gauge steel.

Sturdy channel cover secured by captive quarter-turn latch for easy access to wireway.

Combination endplate/channel connector furnished with each fixture.

Finish: Five-stage iron phosphate pretreatment ensures superior paint adhesion and rust resistance. Painted parts finished with high-gloss, baked white enamel.

**ELECTRICAL** — Thermally protected, resetting, Class P, UL Listed and CSA Certified ballast is standard. Sound rating depends on lamp/ballast combination.

AWM, TFN, THHN wire throughout, rated for required temperatures.

**INSTALLATION** — For unit or row installations, surface or suspended mounting.

**LISTINGS** — UL listed to US and Canadian safety standards for use with fluorescent lamps. Optional: Mexico NOM.

Damp location listed.

Listed for 25 degree C ambient temperature.

**WARRANTY** — 1-year limited warranty. This is the only warranty provided and no other statements in this specification sheet create any warranty of any kind. All other express and implied warranties are disclaimed. Complete warranty terms located at:

[www.acuitybrands.com/support/warranty/terms-and-conditions](http://www.acuitybrands.com/support/warranty/terms-and-conditions)

**Note:** Actual performance may differ as a result of end-user environment and application.

Specifications subject to change without notice.

Catalog Number
Notes
Type

### General-Purpose Strip



2', 3', 4', 6' and 8' length  
1 or 2 lamps

#### Specifications

Length:	24" (61.0)
	36" (91.4)
	48" (121.9)
	72" (182.9)
	96" (243.8)
Width:	4-3/8" (11.1)
Fixture	
Depth:	2-1/16" (5.2)

All dimensions are inches (centimeters) unless otherwise specified.

### ORDERING INFORMATION

Lead times will vary depending on options selected. Consult with your sales representative.

**Example:** C 2 32 MVOLT GEB10IS

Series	Number of lamps	Lamp type	Voltage	Options
C	1	T8	MVOLT <sup>1</sup>	GEB10IS Electronic ballasts, ≤10%THD, instant start
General-purpose strip	2	17 17W T8 (24")	120	GEB10RS Electronic ballast, ≤10%THD, rapid start <sup>2</sup>
For tandem double length unit, add prefix T. Example: TC	lamp not included	25 25W T8 (36")	277	GEB10PS Electronic ballast, ≤10%THD, programmed start
		32 32W T8 (48")	347	1/4 One four-lamp ballast <sup>3</sup>
		96T8 59W T8 slimline (96")	Others available	PLR_ Plug-in wiring; specify 1, 2, or 3 branch circuits and hot wires (A = Black, B = Red, C = Blue, AB or AC) <sup>4</sup>
				CSA CSA Certified (only required for 347V)
				NOM NOM Certified

#### Accessories: Order as separate catalog number.

SQ_	Swivel stem hanger (specify length in 2" increments)
1B	Ceiling spacer (adjusts from 1-1/2" to 2-1/2" from ceiling)
CONLGC	12" screw-on channel connector
WGCUN NST	Wireguard, 4' white <sup>5</sup>
HC36	Chain hangers (1 pair, 36" long)
HRC <sup>®</sup>	Hooker T-bar hanger (flush to ceiling)
HRC1 <sup>®</sup>	Hooker T-bar hanger (1-1/2" from ceiling)
WGCSMR	Wireguard, 4' white for symmetric reflector <sup>5</sup>
WGCASR	Wireguard, 4' white for asymmetric reflector <sup>5</sup>
CSMR48	Symmetric reflector, 4' white, 7" aperture <sup>5</sup>
CASR48	Asymmetric reflector, 4' white, 5-3/4" wide <sup>5</sup>

#### Notes

- MVOLT standard for 120-277V applications, 50-60 mhz operation. Some options require voltage specified.
- 347V, slimline lamps only.
- Not available in slimline.
- Specify voltage.
- Order two for 8' fixtures.

# C General-Purpose Strip

Catalog Number	UPC	Description	# of Lamps	Length	Wattage	Voltage	Ballast Type	Lamp Included	Pallet Qty.	Standard Carton Qty.
C232 MV	745975079711	T8 general-purpose strip	2	48"	32W	120-277V	Electronic, instant start	N	99	1
TC232 MV	745975080809	T8 general-purpose strip	4	96"	32W	120-277V	Electronic, instant start	N	99	1
C225 MV	745975081219	T8 general-purpose strip	2	36"	25W	120-277V	Electronic, instant start	N	99	1
C217 MV	745975081493	T8 general-purpose strip	2	24"	17W	120-277V	Electronic, instant start	N	198	1
C296	745973789766	T12 general-purpose strip	2	96"	75W	120V	Electronic, rapid start	N	99	1
C296T8 MV	745977076145	T8 general-purpose strip	2	96"	75W	120-277V	Electronic, instant start	N	99	1

## MOUNTING DATA

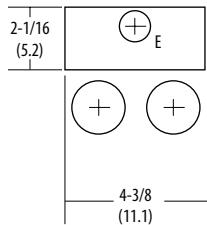
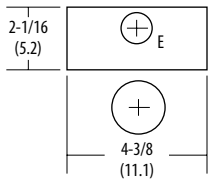
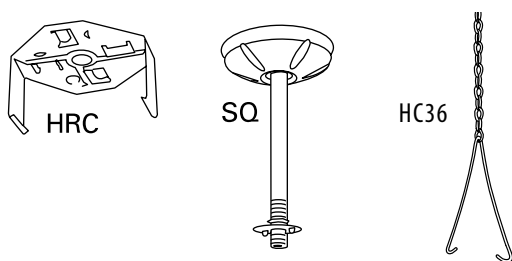
For unit or row installation, surface or suspended mounting.

Unit installation — Minimum of two hangers required.

Row installation — Two hangers per channel required one per fixture plus one per row of CONLGC installed.

Hooker® (HRC) and (HC) Hangers - minimum two per channel (unit and row).

See ACCESSORIES below for hanging devices.



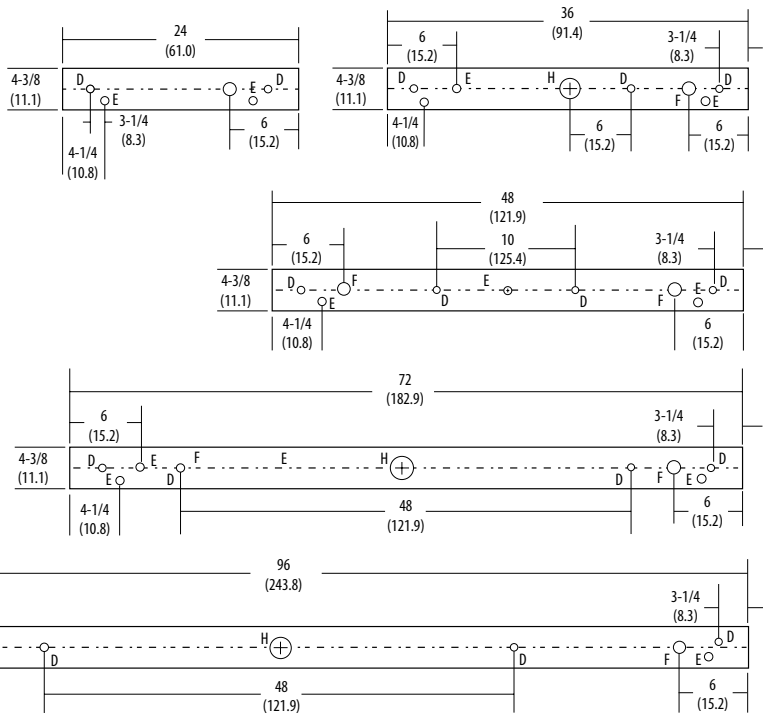
D = 11/16 (1.7) Dia.K.O.  
 E = 7/8 (2.2) Dia.K.O.  
 F = 1-1/4 (3.2) Dia.K.O.  
 H = 2 (5.1) Dia.K.O.

## DIMENSIONS

All dimensions in inches (centimeters) unless otherwise specified. Subject to change without notice.

48", 72", and 96" have only two 7/8" K.O.s 6" from each end.

24" and 36" have only two 7/8" K.O.s 3-1/4" from each end.



## PHOTOMETRICS

See [www.lithonia.com](http://www.lithonia.com) for photometry reports.