

FEATURES & SPECIFICATIONS

INTENDED USE — Inspired by classic fluorescent strip channels, this LED fixture offers a traditional appearance that incorporates the latest technology. Available in several color temperatures, lumen packages and lengths. Ideal for use in commercial, retail, office, warehouse and display applications. **Certain airborne contaminants can diminish integrity of acrylic and/or polycarbonate.** [Click here for Acrylic-Polycarbonate Compatibility table for suitable uses.](#)

Certain airborne contaminants may adversely affect the functioning of LEDs and other electronic components, depending on various factors such as concentrations of the contaminants, ventilation, and temperature at the end-user location. [Click here for a list of substances that may not be suitable for interaction with LEDs and other electronic components.](#)

CONSTRUCTION — Compact-design channel and cover are formed from code-gauge cold-rolled steel. Easy to install row aligner bracket included for continuous row mounting.

Finish: High-gloss, baked white enamel (standard).

OPTICS — LEDs provide 80+ color rendering index (CRI) at 3500K, 4000K and 5000K. Diffuse polycarbonate lens provides smooth, linear illumination which is designed to resemble the classic look of traditional fluorescent lamps.

Lumen output exceeds 1,000 lumens per foot. Luminaire should be installed in applications where ambient temperatures do not exceed maximum ambient operating temperature of 95°F (35°C).

ELECTRICAL — Luminaire Surge Protection Level: Designed to withstand up to 2.5kV/0.75kA per ANSI C82.77-5-2015. For applications requiring higher level of protection additional surge protection must be provided.

INSTALLATION — Fixture may be surface or suspension mounted with appropriate mounting options (see accessories). Aligner locks in place for easy continuous row mounting.

LISTINGS — CSA certified to US and Canadian safety standards and listed suitable for damp locations. Minimum starting temperature at -40°F (-40°C). Maximum ambient operating temperature of 95°F (35°C).

DesignLights Consortium® (DLC) qualified product. Not all versions of this product may be DLC qualified. Please check the DLC Qualified Products List at www.designlights.org/QPL to confirm which versions are qualified.

WARRANTY — 5-year limited warranty. This is the only warranty provided and no other statements in this specification sheet create any warranty of any kind. All other express and implied warranties are disclaimed. Complete warranty terms located at: www.acuitybrands.com/support/warranty/terms-and-conditions

Note: Actual performance may differ as a result of end-user environment and application. All values are design or typical values, measured under laboratory conditions at 25 °C. Specifications subject to change without notice.

| |
|----------------|
| Catalog Number |
| Notes |
| Type |

LED Striplight

CDS



ORDERING INFORMATION

Lead times will vary depending on options selected. Consult with your sales representative.

Example: CDS L48 MVOLT DM 40K 80CRI WH

| Series | Length | Voltage | Driver | Color temperature | Color rendering index | Options | Finish |
|--------------------|---------|----------------|------------------|-------------------|-----------------------|--|----------|
| CDS LED striplight | L24 24" | MVOLT 120-277V | DM 0-10V dimming | 35K 3500 K | 80CRI 80 CRI | PLR__G Plug-in wiring PLR1LVG Plug-in wiring, low voltage | WH White |
| | L48 48" | 347 347V | | 40K 4000 K | | | |
| | L96 96" | | | 50K 5000 K | | | |

| Accessories: Order as separate catalog number. | |
|--|--|
| HC36 M12 | Hanger chain, 36" (1 pair) |
| ZACVH M100 | Adjustable 10' aircraft cable with Y hanger (1 pair) |
| SQ_ | Swivel stem hanger (specify length in 2" increments up to 48") |
| MNLK JBOXCVR M12 | Junction box cover with hardware, white |
| rPP20D | nLight® air dimming/switching module |

A+ Capable Luminaire

This item is an A+ capable luminaire, which has been designed and tested to provide consistent color appearance and out-of-the-box control compatibility with simple commissioning.

- All configurations of this luminaire meet the Acuity Brands' specification for chromatic consistency
- This luminaire is part of an A+ Certified solution for nLight® or XPoint™ Wireless control networks marked by a shaded background*

To learn more about A+, visit www.acuitybrands.com/aplus.

*See ordering tree for details

OPERATIONAL DATA

| CDS L48 MVOLT (80CRI) | | | |
|-----------------------|--------|---------|-----|
| | Lumens | Wattage | LPW |
| 35K | 4606 | 35 | 131 |
| 40K | 4679 | | 133 |
| 50K | 4851 | | 138 |

| CDS L96 MVOLT (80CRI) | | | |
|-----------------------|--------|---------|-----|
| | Lumens | Wattage | LPW |
| 35K | 8800 | 73 | 129 |
| 40K | 8937 | | 132 |
| 50K | 9266 | | 136 |

| PROJECTED LUMEN MAINTENANCE | | | | | | | | | |
|-----------------------------|---|--------|--------|--------|--------|--------|--------|--------|---------|
| Operating Hours | 0 | 10,000 | 20,000 | 30,000 | 40,000 | 50,000 | 60,000 | 70,000 | 100,000 |
| Luman Maintenance Factor | 1 | 0.98 | 0.93 | 0.89 | 0.85 | 0.81 | 0.77 | 0.74 | 0.64 |

DIMENSIONS

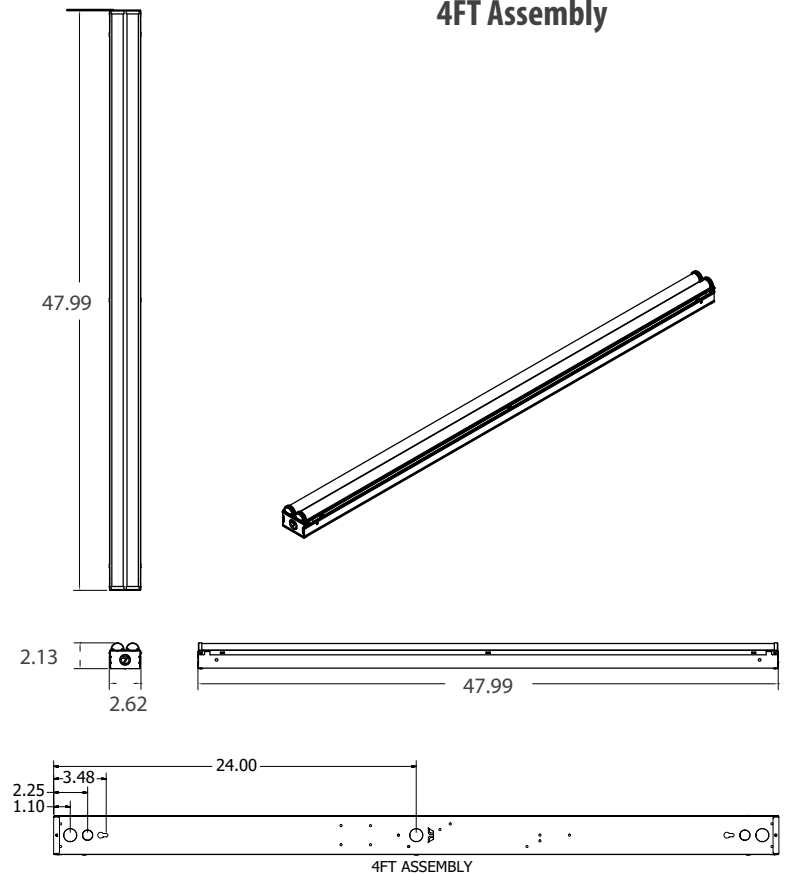
All dimensions are shown in inches (centimeters) unless otherwise noted.

WEIGHT: (may vary with options or accessories)

L48: 5 lbs (2.267 kgs)

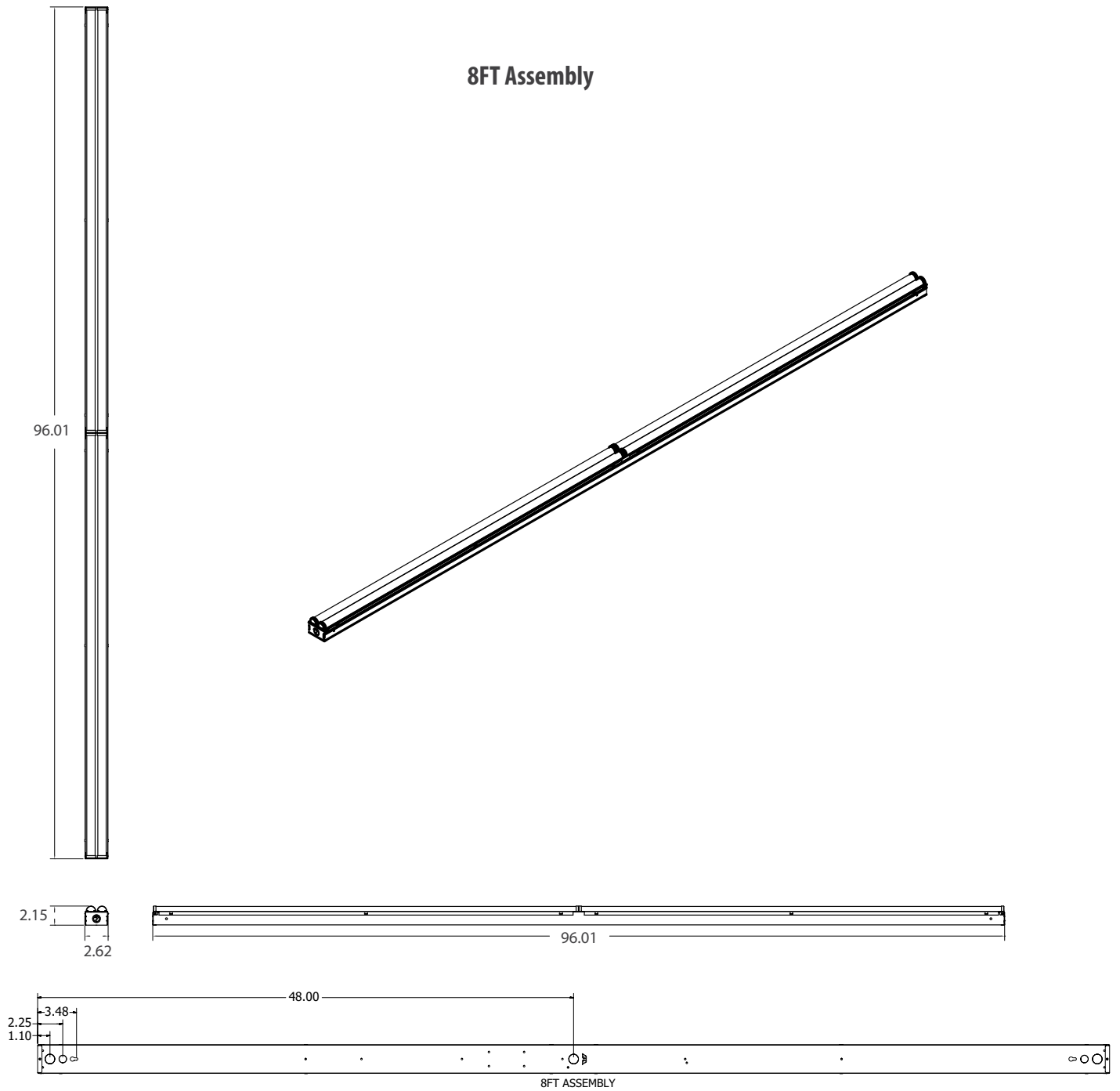
L96: 10 lbs (4.535 kgs)

4FT Assembly



DIMENSIONS

All dimensions are shown in inches (centimeters) unless otherwise noted.



PRODUCT INFORMATION

Advanced plug-in system with two-circuit capability. Available on industrial and strip products and a variety of architectural products mounted in continuous rows. 1, 2, 3 and 4-lamp fixtures. PLR22 (2-circuit) and crossover harness switches hot circuit serving next fixture in row. Reduces fixture types on job for alternating circuit applications (see example below.)

Easy one-step installation, saves up to 35% on labor costs. Expanded switching flexibility helps save energy.

Rows can be 50% longer with two-circuit systems. Polarized, lock-together nylon connectors prevent miswiring in the field. #12 THHN conductor, rated 600V, 90°C. White neutral wire included. Grounding accomplished by fixture in-row connectors.

CSA certified systems available with up to 2 circuits. G ground required.

Note: Specifications subject to change without notice.



PLR

Advanced 1 or 2-Circuit Plug-In

ORDERING INFORMATION Lead times will vary depending on options selected. Consult with your sales representative.

| Series | Number of hot wires | | Branch circuits | | | | Dimming | | Ground | |
|--------|---------------------|---------------------|---------------------------------------|---------------------|-----------------------------|---------------------------------------|---------|---------------------|--------|--------|
| | (blank) | Not required for 22 | Circuits to which driver is connected | | Emergency circuit connected | | LV | Low-voltage dimming | G | Ground |
| PLR | (blank) | Not required for 22 | (blank) | Not required for 22 | (blank) | No emergency circuit | | | | |
| PLR22 | 1 | Black | A | Black wire | ELA | Emergency circuit wired to black wire | | | | |
| | 2 | Black and red | B | Red wire | ELB | Emergency circuit wired to red wire | | | | |

Typical Applications

- Multiple-circuit and single-circuit for longer continuous rows
- Multiple-circuit with alternating fixtures on separate circuits and 2-circuit (PLR 22)
- Multiple circuit with night-lights located along row as desired

PHOTOMETRICS

Please see www.lithonia.com.