

FEATURES & SPECIFICATIONS

INTENDED USE — A general purpose and energy-efficient surface-mounted or suspended LED fixture, suitable for wet, damp and/or cold locations. For vapor-tight demanding environments where moisture or dust is a concern and where relatively low fixture mounting heights and wide fixture spacing are common. Not for use or installation in direct outdoor sunlight. Must be installed under canopy or covered ceiling. For direct sunlight installations, please refer to the [FEX](#) product family. Typical applications include industrial facilities, parking garages, retail malls, multi-purpose rooms, garden centers, and food processing. **Certain airborne contaminants can diminish the integrity of acrylic and/or polycarbonate.** [Click here for Acrylic/Polycarbonate Compatibility table for suitable use.](#)

Certain airborne contaminants may adversely affect the functioning of LEDs and other electronic components, depending on various factors such as concentrations of the contaminants, ventilation, and temperature at the end-user location. [Click here for a list of substances that may not be suitable for interaction with LEDs and other electronic components.](#)

CONSTRUCTION — One-piece 5VA fiberglass housing with integral perimeter channel utilizing continuous poured-in-place NEMA 4X gasket. Approved for through wiring. Captive polymeric latches are standard. Stainless steel latches (#316) available as an option for food processing or more demanding applications. Power connection is easily accomplished through pre-drilled holes.

OPTICS — Injection molded, acrylic lens (.080" thick) provides high impact-resistance comparable to 100% DR. A UV stabilized polycarbonate diffuser is available (.080" thick) in clear or frosted for additional impact strength where vandal protection is desired.

Expected service life of 60,000 hours at 80% lumen maintenance (L80); predicted life of more than 100,000 hours.

ELECTRICAL — Utilizes high-efficiency LEDs mounted to core circuit boards. High-efficiency drivers operate 120-277 (MVOLT) and 347-480 (HVOLT) offered with 0-10 volt dimming, dims to 10%. Standard Luminaire Surge Protection Level: 6kV/3kA Surge Rated per ANSI C82.77-5-2015.

INSTALLATION — A pair of stainless steel surface mount brackets (SMB) are included (unless another mounting option is chosen) allowing for surface (ceiling) or suspension mount applications using included bail with aircraft cable or chain. Optional pair of dual pendant mount brackets (DPMB) are available for surface (ceiling) or suspension mount applications using either 3/8" threaded rod or included bail with aircraft cable or chain. Optional pair of angle mounting brackets (ANGBKT) for horizontal wall mount applications.

LISTINGS — CSA Certified to UL and C-UL Standards. Suitable for wet location. IP65, IP66, IP67 and IP69K (optional) rated. NSF Splash Zone 2 and Non-Food Zone rated. NEMA Type 4X rated. Sensors maintain IP65 and IP66 only. See chart on page 5 for Ambient Temperatures.

DesignLights Consortium® (DLC) Premium qualified product and DLC qualified product. Not all versions of this product may be DLC Premium qualified or DLC qualified. Please check the DLC Qualified Products List at www.designlights.org/OPL to confirm which versions are qualified.

GOVERNMENT PROCUREMENT — BAA – Product with the BAA option qualifies as a domestic end product under the Buy American Act as implemented in the FAR and DFARS. Product with the BAA option also qualifies as manufactured in the United States under DOT Buy America regulations. BABA – Build America Buy America: Product with the BAA option also qualifies as produced in the United States under the definitions of the Build America, Buy America Act.

Please refer to www.acuitybrands.com/buy-american for additional information.

WARRANTY — 5-year limited warranty. This is the only warranty provided and no other statements in this specification sheet create any warranty of any kind. All other express and implied warranties are disclaimed. Complete warranty terms located at: www.acuitybrands.com/support/warranty/terms-and-conditions

NOTE: Actual performance may differ as a result of end-user environment and application.

All values are design or typical values, measured under laboratory conditions at 25 °C.

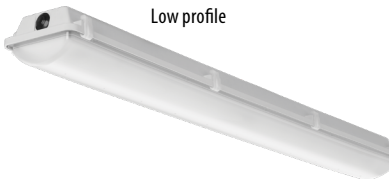
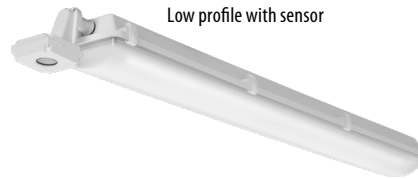
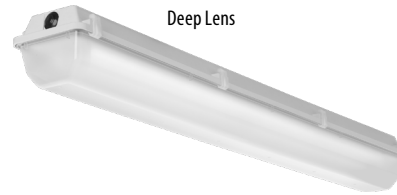
Specifications subject to change without notice.

Catalog Number
Notes
Type

Low-Profile Enclosed and Gasketed Industrial

FEM LED

SURFACE/ SUSPENDED/WALL MOUNT



Items marked by a shaded background qualify for the Design Select program and ship in 15 days or less. To learn more about Design Select, visit www.acuitybrands.com/designselect.

*See ordering tree for details

A+ Capable Luminaire

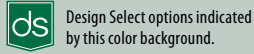
This item is an A+ capable luminaire, which has been designed and tested to provide consistent color appearance and out-of-the-box control compatibility with simple commissioning.

- All configurations of this luminaire meet the Acuity Brands' specification for chromatic consistency
- This luminaire is part of an A+ Certified solution for nLight® control networks marked by a shaded background*

To learn more about A+, visit www.acuitybrands.com/aplus.

*See ordering tree for details

FEM LED Low-Profile Enclosed and Gasketed



ORDERING INFORMATION

Lead times will vary depending on options selected. Consult with your sales representative.

Example: FEM L48 4000LM IMAFL WD MVOLT GZ10 40K 80CRI

Series	Length	Nominal Lumens	Diffuser	Distribution	Voltage	Driver	Color temperature	CRI
FEM	L24 24" †	2000LM	2,000 lumens	IMAFL Acrylic, linear ribbed frosted lens	MD Medium	MVOLT 120-277V	GZ10 0-10V dimming	80CRI 80 CRI
		3000LM	3,000 lumens	IMACD Acrylic, clear deep lens	WD Wide	HVOLT 347-480V †		90CRI 90 CRI
		4000LM	4,000 lumens	IMAFD Acrylic, deep frosted lens	PGD Parking garage	120 120V		35K 3500K
		6000LM	6,000 lumens	LPAFL Acrylic, low profile frosted lens		208 208V		40K 4000K
	L48 48" †	3000LM	3,000 lumens	LPACL Acrylic, low profile clear lens		240 240V		50K 5000K
		4000LM	4,000 lumens	LPPCL Polycarbonate, low profile clear lens		277 277V		
		6000LM	6,000 lumens	LPPFL Polycarbonate, low profile frosted lens	347 347V			
		8000LM	8,000 lumens		480 480V			
	L96 96" †	10000LM	10,000 lumens					
		12000LM	12,000 lumens					
		15000LM	15,000 lumens					
		18000LM	18,000 lumens					
		20000LM	20,000 lumens					
		24000LM	24,000 lumens					

Options	
Emergency:	
BE6WCP	6W internal cold battery, illuminated test switch, cold rated -20°C min, wet location, Certified in CA Title 20 MAEDBS †
E10WMCP	10W internal constant power battery, self-diagnostic test switch, 5°C min, wet location, Certified in CA Title 20 MAEDBS †
ETS	Emergency lighting control device for UL924 operation when using auxiliary generator or central inverter †
2470P	24/7 Operation with emergency battery and 3 conductor cord or plug †
Mounting:	
ANGBKT	Angle bracket shipped with fixture †
DPMB	Dual pendant mounting bracket †
EMK	(2) End mount suspension brackets †
QMB	(2) Quick mount brackets †
WLF	Wet location fitting (two outboard, top (L24 - 20 inches off-center, L48 - 48 inches off-center, L96 - 95.7 inches off-center) †
WLFEND	Wet location fitting (one end) †
WLFEND2	Wet location fitting (both ends) †
WLFMP	Wet location pendant monopoint †
WLF4X	Wet location fittings, NEMA Type 4X rated †
WLFMP4X	Wet location fitting for pendant mounting, NEMA Type 4X rated †
WLFEND4X	Wet location one end, NEMA Type 4X fittings †
WLFEND24X	Wet Location both-ends, NEMA Type 4X fittings †
Other Options:	
AO	Adjustable output dimming †
DL	Damp Location †
DRYLBL	Dry Location †
IP69K	IP69K rating, includes vent plugs †
SPD	Surge protection device, additional 10kV/6kA
STSL	Stainless steel latches
TRS	Tamper Resistant Torx® T10 screws
BAA	Buy America(n) Act and/or Build America Buy America Qualified
Cordsets:	
CNP16WWL	Cord, no plug, 16 gauge, 3 conductors, white, wet locations, 6 feet, other lengths available †
CNP164CWWL	Cord, no plug, 16 gauge, 4 conductors for use with EM battery, white, wet locations, 6 feet, other lengths available †
CNP165CWWL	Cord, no plug, 16 gauge, 5 conductors for use with ER controls or ETS device with 2 power sources, white, wet locations, 6 feet, other lengths available †
CNP165CDWWL	Cord, no plug, 16 gauge, 5 conductors for 0-10V dimming, white, wet locations, 6 feet, other lengths available †
CPTL16W	Cord with NEMA twist lock 15 amp plug, 16 gauge, white, damp location, 6 feet, other lengths available
CPTL16WWL	Cord with NEMA twist lock 15 amp plug, 16 gauge, white, wet location, 6 feet, other lengths available
CPTL20A16W	Cord with NEMA twist lock 20 amp plug, 16 gauge, white, damp location, 6 feet, other lengths available
CPTL20A16WWL	Cord with NEMA twist lock 20 amp plug, 16 gauge, white, wet location, 6 feet, other lengths available
CPSB16W	Cord with NEMA straight blade 15 amp plug, white, damp location, 6 feet, other lengths available
CMCMBH16YW	Cord with Brad Mini Change® male connector, nonmetallic coupling nut, 3 pole, 16 gauge, yellow, wet location, 6 feet, other lengths available †
MCRMBH16WL	Receptacle with Brad Mini Change® male connector, stainless steel coupling nut, 3 pole, 16 gauge leads, wet location †
	See chart for additional cordset options
Reloc®:	
OCS	Reloc® One Pass® circuit selector system drop, 18 gauge, 3 conductors, 6 feet, other lengths available †
OCS4C	Reloc® One Pass® circuit selector system drop, 18 gauge, 4 conductors, for use with EM battery, 6 feet, other lengths available †
	See chart for additional Reloc® options
Sensor Switch Embedded Controls:	
SBOR10	360° Low Mount Sensor, (8-15' mounting heights, more options available), on/off occupancy, Sensor/control mounted external to the luminaire via a KO †
SBOR10 D 3V	360° Low Mount Sensor, (8-15' mounting heights, more options available), high/low/off occupancy dimming, Sensor/control mounted external to the luminaire via a KO †
SBOR10 P	360° Low Mount Sensor, (8-15' mounting heights, more options available), on/off photocell, Sensor/control mounted external to the luminaire via a KO †
	See chart for additional control options
nLight Embedded Controls:	
NLTAIR2	Embedded wireless controls by nLight †
NLTAIREM2	Embedded wireless controls by nLight with UL924 listed emergency operation †
NLTAIRER2	Embedded wireless controls by nLight with UL924 listed emergency operation via power sense leads †
NLTAIR2 APIRKO	Embedded wireless controls by nLight, Passive Infrared Occ sensor with auto-dimming photocell, Sensor/control mounted external to the luminaire via a KO †
NLTAIREM2 APIRKO	Embedded wireless controls by nLight with UL924 listed emergency operation, Passive Infrared Occ sensor with auto-dimming photocell, Sensor/control mounted external to the luminaire via a KO †
NLTAIRER2 APIRKO	Embedded wireless controls by nLight with UL924 listed emergency operation via power sense leads, Passive Infrared Occ sensor with auto-dimming photocell, Sensor/control mounted external to the luminaire via a KO †
	See chart for additional control options

NOTE: † indicates option chosen has ordering restrictions. Please reference ordering restrictions chart, page 3. Options are sorted alphanumerically.

See Accessories and ordering restrictions on next page.

FEM LED Low-Profile Enclosed and Gasketed

Accessories: Order as separate catalog number.			
MHCH 36	3 foot (36 inches) jack chain (pair)	RK1 T10BIT W/PIN U	Hex-base driver bit, Torx TX10, for tamper resistant screws with center reject pin
MHHK120	10 foot (120 inches) single leg air craft cable (ships as pair)	FEMDPMB	Dual pendant mounting bracket (ships as a pair) ‡
MHHK120SS	10 foot (120 inches) single leg air craft cable, stainless steel (ships as pair)	FEMANGBKT	Angle bracket (ships as pair) ‡
		FEMSMB	Surface mount bracket (ships as pair) ‡
		FEMEMK	End mount suspension brackets (ships as a pair) ‡
		FEMQMB	Quick mount brackets (ships as pair) ‡

‡ Option Value Ordering Restrictions	
Option value	Restriction
2470P	Required when an EM battery and a 3 conductor cordset is selected. The driver and EM battery power inputs will be tied together and the fixture will be not be able to be turned off without controls. When ordered with a cordset that includes a plug, the max cord length will be 3 feet. Consult local codes to determine if this is allowable.
ANGBKT	For wall mount applications. If mounted in an upward orientation, fixture will be damp location listed only.
AO	Not available with Sensor Switch embedded dimming controls, nLight embedded controls, 5 conductor dual voltage (CNP165C) or 5 conductor dimming (CNP165CD) cordsets. Available with non-dimming Sensor Switch embedded controls (SBOR6 or SBOR10; occupancy only).
BE6WCP	Utilizes Bodine® BSL36 Cold-Pak emergency driver. Not available with L24 length, 347, 480 or HVOLT. Available with 4 conductor (CNP164C) cordsets. Also available with 3 conductor (CNP16) cordsets or a cordset with a plug (CPTL16, CPTL20A16). Plug requires 2470P option.
CMCMBH16YWL	Not available with ETS, ER controls or WLFEND2. Not NEMA Type 4X rated.
CNP164CWWL	Not available with ETS, ER controls or WLFEND2. Not NEMA Type 4X rated. When damp location is required, remove the WL from the nomenclature.
CNP165CDWWL	Not available with ETS, AO, Sensor Switch embedded dimming controls, nLight embedded controls or WLFEND2. Available with non-dimming Sensor Switch embedded controls (SBGR; occupancy only). 2470P required when ordered with EM batteries. Not NEMA Type 4X rated. When damp location is required, remove the WL from the nomenclature.
CNP165CWWL	Available with ETS or ER controls only. Not NEMA Type 4X rated.
CNP16WWL	Not available with BE6WCP, E10WMCP or WLFEND2. 2470P required when ordered with EM batteries. Not NEMA Type 4X rated. When damp location is required, remove the WL from the nomenclature.
CPSBW	Damp Location only. Not available with ETS or ER controls. When ordered with EM battery, 2470P is required. Not NEMA Type 4X rated.
CPTL16W, CPTL20A16W	Damp Location only. Not available with ETS or ER controls. When ordered with EM batteries, 2470P is required. Not NEMA Type 4X rated.
CPTL16WWL, CPTL20A16WWL	Not available with ETS or ER controls. When ordered with EM batteries, 2470P is required. Not NEMA Type 4X rated.
DL	Required with damp location cords such as CNPW or CPSBW.
DPMB	Replaces standard surface mount bracket. For surface (ceiling) or suspension mount applications using either 3/8" threaded rod or included bail with aircraft cable or chain.
DRYLBL	Required with OCS and OCU.
EMK	Requires the WLFEND2 option.
E7WR2H	Utilizes IOTA® ILB CP07 2H battery. UL924 compliant. Not available with ETS, ER Controls 347, 480 or HVOLT. Available with 4 conductor (CNP164C) cordsets. Available with 3 conductor (CNP16, CPTL16, CPTL20A16) cordsets with 2470P option. Consult local codes to determine if this is allowable.
E10WMCP	Utilizes Power Sentry® PS1055MCP battery. Not available with ETS, ER Controls 347, 480 or HVOLT. Available with 4 conductor (CNP164C) cordsets. Also available with 3 conductor (CNP16) cordsets or a cordset with a plug (CPTL16, CPTL20A16). Plug requires 2470P option. Consult local codes to determine if this is allowable.
ETS	Not available with EM batteries (E10WMCP, BE6WCP), EM or ER controls. 120-277V only. Available with a 5 conductor dual voltage cordset (CNP165C), but not required. Utilizes IOTA ETS DR emergency lighting control device.
FEMANGBKT	For wall mount applications. If mounted in an upward orientation, fixture will be damp location listed only.
FEMDPMB	For surface (ceiling) or suspension mount applications using either 3/8" threaded rod or included bail with aircraft cable or chain.
FEMSMB	Replacement only; ships standard with fixture (unless another mounting option is chosen). For surface (ceiling) or suspension mount applications using included bail with aircraft cable or chain.
FEMQMB	For surface mount applications.
HVOLT	When ordered with L24, available with 6000LM only. When 2000LM, 3000LM, or 4000LM requires 347 or 480 voltage to be specified. Not available with HVOLT. Utilizes a step-down transformer when 347 and 480V are required. When ordered with L48, not available with 3000LM or 4000LM.
IP69K	Requires STSL option. Not available with wet location fittings (WLF, WLFEND, WLFEND2), any cordset or any sensor.
L24	Not available with BE6WCP.
L48	Not available with WLFMPMP options.
L96	Not available with WLFMPMP options.
MCRMBH16WL	Not available with WLFEND2. 2470P required when ordered with EM batteries. Not NEMA Type 4X rated.
NLTAIR2 APIRKO, NLTAIREM2 APIRKO, NLTAIRER2 APIRKO	Not available WLFEND2. Not NEMA Type 4X rated. IP65 and IP66 rated.
NLTAIR2, NLTAIREM2, NLTAIRER2	Not NEMA Type 4X rated. IP65 and IP66 rated.
QMB	Replaces standard surface mount bracket. For surface mount applications.
SBOR10, SBOR10 D 3V, SBOR10 P	Not available with WLFEND2. IP65 and IP66 rated. Not NEMA Type 4X rated. If high mount sensor is required, remove 10 from nomenclature and replace with 6. EX: SBOR6
WLF	In addition to top mounted fittings, includes (2) Pre-drilled 7/8" holes with water tight plugs (both ends). L24 - 20 inches off-center, L48 - 48 inches off-center, L96 95.7 inches off-center. If cord is ordered, cord will exit from the end of the fixture. Not NEMA Type 4X rated.
WLF4X	In addition to top mounted fittings, includes (2) Pre-drilled 7/8" holes with water tight plugs (both ends). L24 - 20 inches off-center, L48 - 48 inches off-center, L96 95.7 inches off-center. If cord is ordered, cord will exit from the end of the fixture.
WLFEND	Includes (1) Pre-drilled 7/8" hole with water tight plug (opposite end). If cord is ordered, cord will exit from the end of the fixture. Available with cord or sensor option. Choose only one. Not NEMA Type 4X rated.
WLFEND2	Available with NLTAIR2, NLTAIREM2 or NLTAIRER2 (nLight air RIO only). Not available with NLTAIR2 APIRKO, NLTAIREM2 APIRKO or NLTAIRER2 APIRKO (nLight air sensors), SBOR sensors or any cord option. Not NEMA Type 4X rated.
WLFEND24X	Not available with sensor or cord options.
WLFEND4X	Includes (1) Pre-drilled 7/8" hole with water tight plug (opposite end). If cord is ordered, cord will exit from the end of the fixture. Available with cord or sensor option. Choose only one.
WLFMPMP	In addition to the one top mounted fitting, includes (2) Pre-drilled 7/8" holes with water tight plugs (both ends). Not NEMA Type 4X rated.
WLFMPMP4X	In addition to the one top mounted fitting, includes (2) Pre-drilled 7/8" holes with water tight plugs (both ends).

FEM LED Low-Profile Enclosed and Gasketed

OPERATING CHARACTERISTICS ‡

Input Watts ‡	Length	Lumen Package	Distribution	Lens	80CRI	90CRI	80CRI	90CRI	80CRI	90CRI	80CRI	90CRI	Lumens				
					3000K		3500K		4000K		5000K						
13	L24	2000LM	MD	IMACD	2189	1849	2215	1913	2279	1952	2279	1952	Lumens				
					168	142	170	147	175	150	175	150	LPW				
				IMAFD	2170	1833	2196	1897	2259	1935	2259	1935	Lumens				
					167	141	169	146	174	149	174	149	LPW				
				IMAFI	2047	1729	2071	1789	2131	1825	2131	1825	Lumens				
					157	133	159	138	164	140	164	140	LPW				
				LPAFL	2155	1820	2180	1883	2244	1921	2244	1921	Lumens				
					166	140	168	145	173	148	173	148	LPW				
				LPAFL	2156	1821	2181	1884	2245	1922	2245	1922	Lumens				
					166	140	168	145	173	148	173	148	LPW				
				LPPCL	2176	1838	2202	1902	2265	1940	2265	1940	Lumens				
					167	141	169	146	174	149	174	149	LPW				
				LPPFL	1938	1637	1961	1694	2018	1728	2018	1728	Lumens				
					149	126	151	130	155	133	155	133	LPW				
				20	L24	3000LM	MD	IMACD	3250	2745	3288	2840	3384	2898	3384	2898	Lumens
									163	137	164	142	169	145	169	145	LPW
IMAFD	3222	2721	3260					2816	3354	2872	3354	2872	Lumens				
	161	136	163					141	168	144	168	144	LPW				
IMAFI	3039	2567	3075					2656	3164	2709	3164	2709	Lumens				
	152	128	154					133	158	135	158	135	LPW				
LPAFL	3199	2702	3237					2796	3331	2852	3331	2852	Lumens				
	160	135	162					140	167	143	167	143	LPW				
LPAFL	3201	2703	3239					2797	3332	2854	3332	2854	Lumens				
	160	135	162					140	167	143	167	143	LPW				
LPPCL	3230	2728	3268					2823	3363	2880	3363	2880	Lumens				
	162	136	163					141	168	144	168	144	LPW				
LPPFL	2877	2430	2911					2515	2996	2565	2996	2565	Lumens				
	144	122	146					126	150	128	150	128	LPW				
26	L24	4000LM	MD					IMACD	4370	3691	4422	3819	4550	3896	4550	3896	Lumens
									168	142	170	147	175	150	175	150	LPW
				IMAFD	4332	3659	4383	3786	4510	3862	4510	3855	Lumens				
					167	141	169	146	173	149	173	148	LPW				
				IMAFI	4086	3451	4134	3571	4254	3643	4254	3643	Lumens				
					157	133	159	137	164	140	164	140	LPW				
				LPAFL	4302	3633	4352	3759	4478	3835	4478	3835	Lumens				
					165	140	167	145	172	148	172	148	LPW				
				LPAFL	4304	3635	4355	3761	4481	3837	4481	3837	Lumens				
					166	140	168	145	172	148	172	148	LPW				
				LPPCL	4344	3669	4395	3796	4522	3872	4522	3872	Lumens				
					167	141	169	146	174	149	174	149	LPW				
				LPPFL	3869	3268	3914	3381	4028	3449	4028	3449	Lumens				
					149	126	151	130	155	133	155	133	LPW				
				41	L24	6000LM	MD	IMACD	6507	5495	6583	5686	6774	5801	6774	5801	Lumens
									159	134	161	139	165	141	165	141	LPW
IMAFD	6450	5447	6526					5637	6715	5750	6715	5750	Lumens				
	157	133	159					137	164	140	164	140	LPW				
IMAFI	6083	5138	6155					5316	6333	5423	6333	5423	Lumens				
	148	125	150					130	154	132	154	132	LPW				
LPAFL	6404	5409	6480					5597	6667	5710	6667	5710	Lumens				
	156	132	158					137	163	139	163	139	LPW				
LPAFL	6408	5412	6483					5600	6671	5713	6671	5713	Lumens				
	156	132	158					137	163	139	163	139	LPW				
LPPCL	6467	5462	6543					5651	6732	5765	6732	5765	Lumens				
	158	133	160					138	164	141	164	141	LPW				
LPPFL	5760	4865	5828					5034	5997	5135	5997	5135	Lumens				
	140	119	142					123	146	125	146	125	LPW				

Notes ‡

Input Watts	120VAC.
Operating Characteristics	Absolute photometry calculated in accordance with IESNA LM-79-08 @ 25°C.

FEM LED Low-Profile Enclosed and Gasketed

OPERATING CHARACTERISTICS ‡

Input Watts ‡	Length	Lumen Package	Distribution	Lens	80CRI	90CRI	80CRI	90CRI	80CRI	90CRI	80CRI	90CRI	Lumens
					3000K		3500K		4000K		5000K		
19	L48	3000LM	MD	IMACD	3002	2536	3038	2624	3126	2677	3126	2677	Lumens
					158	133	160	138	165	141	165	141	LPW
				IMAFD	2976	2514	3011	2601	3098	2653	3098	2653	Lumens
					157	132	158	137	163	140	163	140	LPW
				IMAFI	2807	2371	2840	2453	2922	2503	2922	2503	Lumens
					148	125	149	129	154	132	154	132	LPW
				LPAFL	2955	2496	2990	2583	3077	2635	3077	2635	Lumens
					156	131	157	136	162	139	162	139	LPW
				LPAFL	2957	2497	2992	2584	3078	2636	3078	2636	Lumens
					156	131	157	136	162	139	162	139	LPW
				LPPCL	2984	2520	3019	2608	3107	2660	3107	2660	Lumens
					157	133	159	137	164	140	164	140	LPW
				LPPFL	2658	2245	2689	2323	2767	2370	2767	2370	Lumens
					140	118	142	122	146	125	146	125	LPW
24	L48	4000LM	MD	IMACD	4017	3393	4064	3510	4182	3581	4182	3581	Lumens
					167	141	169	146	174	149	174	149	LPW
				IMAFD	3982	3363	4029	3480	4145	3550	4145	3550	Lumens
					166	140	168	145	173	148	173	148	LPW
				IMAFI	3756	3172	3800	3282	3910	3348	3910	3348	Lumens
					157	132	158	137	163	140	163	140	LPW
				LPAFL	3954	3339	4000	3455	4116	3525	4116	3525	Lumens
					165	139	167	144	172	147	172	147	LPW
				LPAFL	3956	3341	4002	3457	4118	3527	4118	3527	Lumens
					165	139	167	144	172	147	172	147	LPW
				LPPCL	3992	3372	4039	3489	4156	3559	4156	3559	Lumens
					166	141	168	145	173	148	173	148	LPW
				LPPFL	3556	3003	3598	3108	3702	3170	3702	3170	Lumens
					148	125	150	130	154	132	154	132	LPW
39	L48	6000LM	MD	IMACD	6424	5425	6499	5614	6687	5727	6687	5727	Lumens
					165	139	167	144	171	147	171	147	LPW
				IMAFD	6368	5378	6442	5565	6629	5677	6629	5677	Lumens
					163	138	165	143	170	146	170	146	LPW
				IMAFI	6006	5072	6076	5248	6252	5354	6252	5354	Lumens
					154	130	156	135	160	137	160	137	LPW
				LPAFL	6323	5340	6397	5525	6582	5637	6582	5637	Lumens
					162	137	164	142	169	145	169	145	LPW
				LPAFL	6326	5343	6400	5528	6586	5640	6586	5640	Lumens
					162	137	164	142	169	145	169	145	LPW
				LPPCL	6384	5392	6459	5579	6646	5691	6646	5691	Lumens
					164	138	166	143	170	146	170	146	LPW
				LPPFL	5687	4803	5753	4970	5920	5070	5920	5070	Lumens
					146	123	148	127	152	130	152	130	LPW
51	L48	8000LM	MD	IMACD	8413	7106	8512	7352	8759	7500	8759	7500	Lumens
					165	139	167	144	172	147	172	147	LPW
				IMAFD	8340	7044	8438	7288	8682	7435	8682	7435	Lumens
					164	138	165	143	170	146	170	146	LPW
				IMAFI	7866	6643	7958	6874	8189	7012	8189	7012	Lumens
					154	130	156	135	161	137	161	137	LPW
				LPAFL	8281	6994	8378	7237	8621	7383	8621	7383	Lumens
					162	137	164	142	169	145	169	145	LPW
				LPAFL	8285	6998	8383	7241	8626	7386	8626	7386	Lumens
					162	137	164	142	169	145	169	145	LPW
				LPPCL	8362	7062	8460	7307	8705	7454	8705	7454	Lumens
					164	138	166	143	171	146	171	146	LPW
				LPPFL	7448	6290	7535	6509	7754	6640	7754	6640	Lumens
					146	123	148	128	152	130	152	130	LPW

Notes ‡

Input Watts	120VAC.
Operating Characteristics	Absolute photometry calculated in accordance with IESNA LM-79-08 @ 25°C.

FEM LED Low-Profile Enclosed and Gasketed

OPERATING CHARACTERISTICS ‡

Input Watts ‡	Length	Lumen Package	Distribution	Lens	80CRI	90CRI	80CRI	90CRI	80CRI	90CRI	80CRI	90CRI		
					3000K		3500K		4000K		5000K		Lumens	LPW
63	L48	10000LM	MD	IMACD	9971	8421	10088	8714	10380	8889	10380	8889	Lumens	
					158	134	160	138	165	141	165	141	LPW	
				IMAFD	9884	8348	10000	8638	10290	8811	10290	8811	Lumens	
					157	133	159	137	163	140	163	140	LPW	
				IMAFI	9322	7873	9432	8147	9705	8311	9705	8311	Lumens	
					148	125	150	129	154	132	154	132	LPW	
				LPAFL	9814	8289	9929	8577	10217	8749	10217	8749	Lumens	
					156	132	158	136	162	139	162	139	LPW	
				LPAFL	9820	8293	9935	8581	10223	8754	10223	8754	Lumens	
					156	132	158	136	162	139	162	139	LPW	
				LPPCL	9910	8370	10026	8660	10317	8835	10317	8835	Lumens	
					157	133	159	137	164	140	164	140	LPW	
				LPPFL	8827	7455	8931	7714	9189	7869	9189	7869	Lumens	
					140	118	142	122	146	125	146	125	LPW	
75	L48	12000LM	MD	IMACD	11776	9945	11914	10291	12259	10498	12259	10498	Lumens	
					157	133	159	137	163	140	163	140	LPW	
				IMAFD	11673	9859	11810	10201	12152	10406	12152	10406	Lumens	
					156	131	157	136	162	139	162	139	LPW	
				IMAFI	11009	9298	11139	9621	11461	9815	11461	9815	Lumens	
					147	124	149	128	153	131	153	131	LPW	
				LPAFL	11591	9789	11727	10129	12066	10333	12066	10333	Lumens	
					155	131	156	135	161	138	161	138	LPW	
				LPAFL	11597	9794	11733	10134	12073	10338	12073	10338	Lumens	
					155	131	156	135	161	138	161	138	LPW	
				LPPCL	11703	9884	11841	10228	12184	10433	12184	10433	Lumens	
					156	132	158	136	162	139	162	139	LPW	
				LPPFL	10425	8804	10547	9110	10853	9293	10853	9293	Lumens	
					139	117	141	121	145	124	145	124	LPW	
53	L96	9000LM	MD	IMACD	8690	7340	8792	7594	9047	7747	9047	7747	Lumens	
					164	138	166	143	171	146	171	146	LPW	
				IMAFD	8614	7276	8715	7528	8968	7680	8968	7680	Lumens	
					163	137	164	142	169	145	169	145	LPW	
				IMAFI	8125	6862	8220	7100	8458	7243	8458	7243	Lumens	
					153	129	155	134	160	137	160	137	LPW	
				LPAFL	8554	7224	8654	7475	8905	7626	8905	7626	Lumens	
					161	136	163	141	168	144	168	144	LPW	
				LPAFL	8558	7228	8659	7479	8910	7630	8910	7630	Lumens	
					161	136	163	141	168	144	168	144	LPW	
				LPPCL	8637	7295	8738	7548	8992	7700	8992	7700	Lumens	
					163	138	165	142	170	145	170	145	LPW	
				LPPFL	7693	6498	7783	6723	8009	6858	8009	6858	Lumens	
					145	123	147	127	151	129	151	129	LPW	
76	L96	12000LM	MD	IMACD	12487	10547	12634	10913	13000	11133	13000	11133	Lumens	
					164	139	166	144	171	146	171	146	LPW	
				IMAFD	12379	10455	12524	10818	12887	11035	12887	11035	Lumens	
					163	138	165	142	170	145	170	145	LPW	
				IMAFI	11675	9860	11812	10203	12154	10408	12154	10408	Lumens	
					154	130	155	134	160	137	160	137	LPW	
				LPAFL	12291	10381	12436	10741	12796	10958	12796	10958	Lumens	
					162	137	164	141	168	144	168	144	LPW	
				LPAFL	12298	10386	12442	10747	12803	10963	12803	10963	Lumens	
					162	137	164	141	168	144	168	144	LPW	
				LPPCL	12411	10482	12556	10846	12920	11064	12920	11064	Lumens	
					163	138	165	143	170	146	170	146	LPW	
				LPPFL	11055	9337	11185	9661	11509	9855	11509	9855	Lumens	
					145	123	147	127	151	130	151	130	LPW	

Notes ‡

Input Watts	120VAC.
Operating Characteristics	Absolute photometry calculated in accordance with IESNA LM-79-08 @ 25°C.

FEM LED Low-Profile Enclosed and Gasketed

OPERATING CHARACTERISTICS ‡

Input Watts ‡	Length	Lumen Package	Distribution	Lens	80CRI	90CRI	80CRI	90CRI	80CRI	90CRI	80CRI	90CRI	
					3000K		3500K		4000K		5000K		
94	L96	15000LM	MD	IMACD	15528	13115	15710	13570	16166	13843	16166	13843	Lumens
					165	140	167	144	172	147	172	147	LPW
				IMAFD	15393	13000	15573	13452	16025	13723	16025	13723	Lumens
					164	138	166	143	170	146	170	146	LPW
				IMAFI	14518	12261	14688	12687	15114	12943	15114	12943	Lumens
					154	130	156	135	161	138	161	138	LPW
				LPAFL	15284	12909	15464	13357	15912	13626	15912	13626	Lumens
					163	137	165	142	169	145	169	145	LPW
				LPAFL	15292	12916	15472	13364	15920	13633	15920	13633	Lumens
					163	137	165	142	169	145	169	145	LPW
				LPPCL	15433	13034	15614	13487	16067	13758	16067	13758	Lumens
					164	139	166	143	171	146	171	146	LPW
				LPPFL	13747	11610	13908	12013	14311	12255	14311	12255	Lumens
					146	124	148	128	152	130	152	130	LPW
105	L96	18000LM	MD	IMACD	16900	14273	17098	14769	17594	15066	17594	15066	Lumens
					161	136	163	141	168	143	168	143	LPW
				IMAFD	16752	14149	16949	14640	17440	14935	17440	14935	Lumens
					160	135	161	139	166	142	166	142	LPW
				IMAFI	15800	13345	15986	13808	16449	14086	16449	14086	Lumens
					150	127	152	132	157	134	157	134	LPW
				LPAFL	16634	14049	16830	14537	17317	14830	17317	14830	Lumens
					158	134	160	138	165	141	165	141	LPW
				LPAFL	16643	14056	16838	14545	17327	14837	17327	14837	Lumens
					159	134	160	139	165	141	165	141	LPW
				LPPCL	16796	14186	16993	14678	17486	14974	17486	14974	Lumens
					160	135	162	140	167	143	167	143	LPW
				LPPFL	14961	12636	15137	13074	15575	13338	15575	13338	Lumens
					142	120	144	125	148	127	148	127	LPW
127	L96	20000LM	MD	IMACD	20400	17229	20639	17827	21237	18186	21237	18186	Lumens
					161	136	163	140	167	143	167	143	LPW
				IMAFD	20222	17079	20459	17672	21052	18027	21052	18027	Lumens
					159	134	161	139	166	142	166	142	LPW
				IMAFI	19072	16108	19296	16667	19855	17003	19855	17003	Lumens
					150	127	152	131	156	134	156	134	LPW
				LPAFL	20079	16958	20315	17547	20904	17901	20904	17901	Lumens
					158	134	160	138	165	141	165	141	LPW
				LPAFL	20090	16967	20325	17556	20915	17910	20915	17910	Lumens
					158	134	160	138	165	141	165	141	LPW
				LPPCL	20275	17123	20512	17718	21107	18075	21107	18075	Lumens
					160	135	162	140	166	142	166	142	LPW
				LPPFL	18059	15252	18271	15782	18801	16100	18801	16100	Lumens
					142	120	144	124	148	127	148	127	LPW
150	L96	24000LM	MD	IMACD	23714	20028	23992	20724	24688	21141	24688	21141	Lumens
					158	134	160	138	165	141	165	141	LPW
				IMAFD	23507	19853	23783	20543	24472	20956	24472	20956	Lumens
					157	132	159	137	163	140	163	140	LPW
				IMAFI	22171	18725	22431	19375	23081	19765	23081	19765	Lumens
					148	125	150	129	154	132	154	132	LPW
				LPAFL	23342	19714	23615	20398	24300	20809	24300	20809	Lumens
					156	131	157	136	162	139	162	139	LPW
				LPAFL	23354	19724	23628	20409	24313	20820	24313	20820	Lumens
					156	131	158	136	162	139	162	139	LPW
				LPPCL	23569	19905	23845	20597	24536	21011	24536	21011	Lumens
					157	133	159	137	164	140	164	140	LPW
				LPPFL	20993	17730	21240	18346	21855	18716	21855	18716	Lumens
					140	118	142	122	146	125	146	125	LPW

Notes ‡

Input Watts	120VAC.
Operating Characteristics	Absolute photometry calculated in accordance with IESNA LM-79-08 @ 25°C.

LUMEN AMBIENT TEMPERATURE (LAT) MULTIPLIERS

L24		2000 LM	3000 LM	4000 LM	6000 LM
-30°C	-22°F	1.047	1.050	1.051	1.056
-20°C	-4°F	1.040	1.042	1.043	1.047
-10°C	14°F	1.032	1.033	1.034	1.038
0°C	32°F	1.024	1.025	1.025	1.027
10°C	50°F	1.015	1.015	1.016	1.017
20°C	68°F	1.005	1.005	1.005	1.006
25°C	77°F	1.000	1.000	1.000	1.000
30°C	86°F	0.995	0.995	0.995	0.994
40°C	104°F	0.984	0.984	0.983	0.982
50°C	122°F	0.973	0.972	0.971	0.969

L48		3000 LM	4000 LM	6000 LM	8000 LM	10000 LM	12000 LM
-30°C	-22°F	1.049	1.051	1.055	1.059	1.064	1.068
-20°C	-4°F	1.041	1.043	1.046	1.050	1.053	1.057
-10°C	14°F	1.033	1.034	1.037	1.040	1.042	1.046
0°C	32°F	1.024	1.025	1.027	1.029	1.031	1.033
10°C	50°F	1.015	1.015	1.017	1.018	1.019	1.020
20°C	68°F	1.005	1.005	1.006	1.006	1.006	1.007
25°C	77°F	1.000	1.000	1.000	1.000	1.000	1.000
30°C	86°F	0.995	0.995	0.994	0.994	0.993	0.993
40°C	104°F	0.984	0.983	0.982	0.981	0.980	0.978
50°C	122°F	0.972	0.971	0.969	0.967	0.965	0.963

L48		9000 LM	12000 LM	15000 LM	18000 LM	20000 LM	24000 LM
-30°C	-22°F	1.061	1.068	1.075	1.079	1.088	1.100
-20°C	-4°F	1.051	1.057	1.063	1.066	1.074	1.083
-10°C	14°F	1.041	1.045	1.050	1.052	1.058	1.066
0°C	32°F	1.030	1.033	1.036	1.038	1.042	1.048
10°C	50°F	1.018	1.020	1.022	1.023	1.026	1.029
20°C	68°F	1.006	1.007	1.008	1.008	1.009	1.010
25°C	77°F	1.000	1.000	1.000	1.000	1.000	1.000
30°C	86°F	0.994	0.993	0.992	0.992	0.991	0.990
40°C	104°F	0.980	0.978	0.976	0.975	0.973	0.969
50°C	122°F	0.967	0.963	0.960	0.958	0.954	0.948

LUMEN MAINTENANCE

Length	Lumens	0 Hrs	25000 Hrs	50000 Hrs	100000 Hrs
L24	2000	100%	92.8%	87.2%	77.0%
	3000	100%	92.8%	87.2%	77.0%
	4000	100%	92.6%	87.2%	77.1%
	6000	100%	93.0%	87.8%	78.3%

Length	Lumens	0 Hrs	25000 Hrs	50000 Hrs	100000 Hrs
L48	3000	100%	92.8%	87.2%	77.0%
	4000	100%	92.8%	87.2%	77.0%
	6000	100%	92.8%	87.2%	77.0%
	8000	100%	92.7%	87.2%	77.2%
	10000	100%	92.9%	87.5%	77.7%
	12000	100%	93.0%	87.8%	78.2%

Length	Lumens	0 Hrs	25000 Hrs	50000 Hrs	100000 Hrs
L96	9000	100%	92.8%	87.2%	77.0%
	12000	100%	92.8%	87.2%	77.0%
	15000	100%	92.6%	87.0%	76.9%
	18000	100%	92.6%	87.1%	77.1%
	20000	100%	92.8%	87.5%	77.7%
	24000	100%	92.9%	87.7%	78.1%

CSA LISTED AMBIENT RATING

Size	Lumen Package	Base ‡		BE6WCP ‡		E10WLCP ‡		E7WR2H ‡		E10WRSTAR/E20WRSTAR ‡	
		Surface	Suspended ‡	Surface	Suspended ‡	Surface	Suspended ‡	Surface	Suspended ‡	Surface	Suspended ‡
L24	2000LM	35°C	45°C	25°C	35°C	25°C	35°C	25°C	25°C	25°C	25°C
	3000LM	35°C	45°C	25°C	35°C	25°C	35°C	25°C	25°C	25°C	25°C
	4000LM	35°C	45°C	25°C	35°C	25°C	35°C	25°C	25°C	25°C	25°C
	6000LM	35°C	45°C	25°C	35°C	25°C	35°C	25°C	25°C	25°C	25°C
L48	3000LM	35°C	45°C	25°C	35°C	25°C	35°C	25°C	25°C	25°C	25°C
	4000LM	35°C	45°C	25°C	35°C	25°C	35°C	25°C	25°C	25°C	25°C
	6000LM	35°C	45°C	25°C	35°C	25°C	35°C	25°C	25°C	25°C	25°C
	8000LM	35°C	45°C	25°C	35°C	25°C	35°C	25°C	25°C	25°C	25°C
	10000LM	35°C	45°C	25°C	35°C	25°C	35°C	25°C	25°C	25°C	25°C
L96	12000LM	35°C	35°C	25°C	35°C	25°C	35°C	25°C	25°C	25°C	25°C
	15000LM	35°C	35°C	25°C	35°C	25°C	35°C	25°C	25°C	25°C	25°C
	18000LM	35°C	35°C	25°C	35°C	25°C	35°C	25°C	25°C	25°C	25°C
	20000LM	35°C	35°C	25°C	35°C	25°C	35°C	25°C	25°C	25°C	25°C
	24000LM	30°C	35°C	25°C	35°C	25°C	35°C	25°C	25°C	25°C	25°C

Notes ‡	
Base	Start temp -40°C.
BE6WCP	Start temp -20°C.
E7WR2H	Start temp 0°C.
E10WMCP	Start temp 5°C.
E10WRSTAR, E20WRSTAR	Start temp 0°C.
Suspended	Installed a minimum of 6" from surface.

NUMBER OF LED BOARDS & DRIVERS

Lumen Package	Fixture Length	Voltage	Number of LED Boards	Number of Drivers
2000LM	L24	Any	1	1
3000LM	L24	Any	1	1
4000LM	L24	Any	2	1
6000LM	L24	Any	2	1
3000LM	L48	Any	1	1
4000LM	L48	Any	1	1
6000LM	L48	Any	2	1
8000LM	L48	Any	2	1
10000LM	L48	Any	2	1
12000LM	L48	Any	2	1
9000LM	L96	Any	2	1
12000LM	L96	Any	4	1
15000LM	L96	Any	4	1
18000LM	L96	MVOLT 120-277	4	1
18000LM	L96	HVOLT 347-480	4	2
20000LM	L96	MVOLT 120-277	4	1
20000LM	L96	HVOLT 347-480	4	2
24000LM	L96	MVOLT 120-277	4	1
24000LM	L96	HVOLT 347-480	4	2

IK RATINGS

Type	Description	IK rating
IMAFI	Acrylic, lineal ribbed frosted lens	IK07
IMACD	Acrylic, clear deep lens	IK10
IMAFD	Acrylic, deep frosted lens	IK10
LPAFL	Acrylic, low profile frosted lens	IK10
LPAFL	Acrylic, low profile clear lens	IK10
LPPCL	Polycarbonate, low profile clear lens	IK09
LPPFL	Polycarbonate, low profile frosted lens	IK09
Housing	FEM housing can withstand an IK10 level impact and not have any wires or electrical components exposed.	IK10

NEMA PLUG CONFIGURATIONS

Voltage	Straight Blade	15A Twist Lock	20A Twist Lock
MVOLT	NA	NA	NA
120	5-15P	L5-15P	L5-20P
208	NA	L6-15P	L6-20P
240	NA	L6-15P	L6-20P
277	7-15P	L7-15P	L7-20P
HVOLT	NA	NA	NA
347	NA	NA	L24-20P
480	NA	NA	L8-20P
XVOLT	NA	NA	NA
277X	NA	L7-15P	L7-20P
347X	NA	NA	L24-20P
480X	NA	NA	L8-20P

ADDITIONAL CORDSETS

Plug Option	Plug Type	Amperage	Gauge	# of conductors	Color	Location	Length
CNP Cord only	(blank) No plug option (for cord only option)	(blank) 15 amps	(blank) 18 gauge	(blank) 3 conductors	(blank) Black	(blank) Damp	(blank) 6 feet
CP Cord with plug		20A 20 amps	16 16 gauge	4C 4 conductors (for use with EM battery)	W White	WL Wet ‡	3FT 3 feet
CMC Cord with mini change Plug ‡	TL Twist lock			5C 5 conductors (for use with ETS or ER controls)	Y Yellow ‡		10FT 10 feet
RMC Mini change receptacle	SB Straight blade ‡ MBH Male Brad Harrison			5CD 5 conductors (for use with 0-10V dimming)			12FT 12 feet 15FT 15 feet 20FT 20 feet 25FT 25 feet 30FT 30 feet

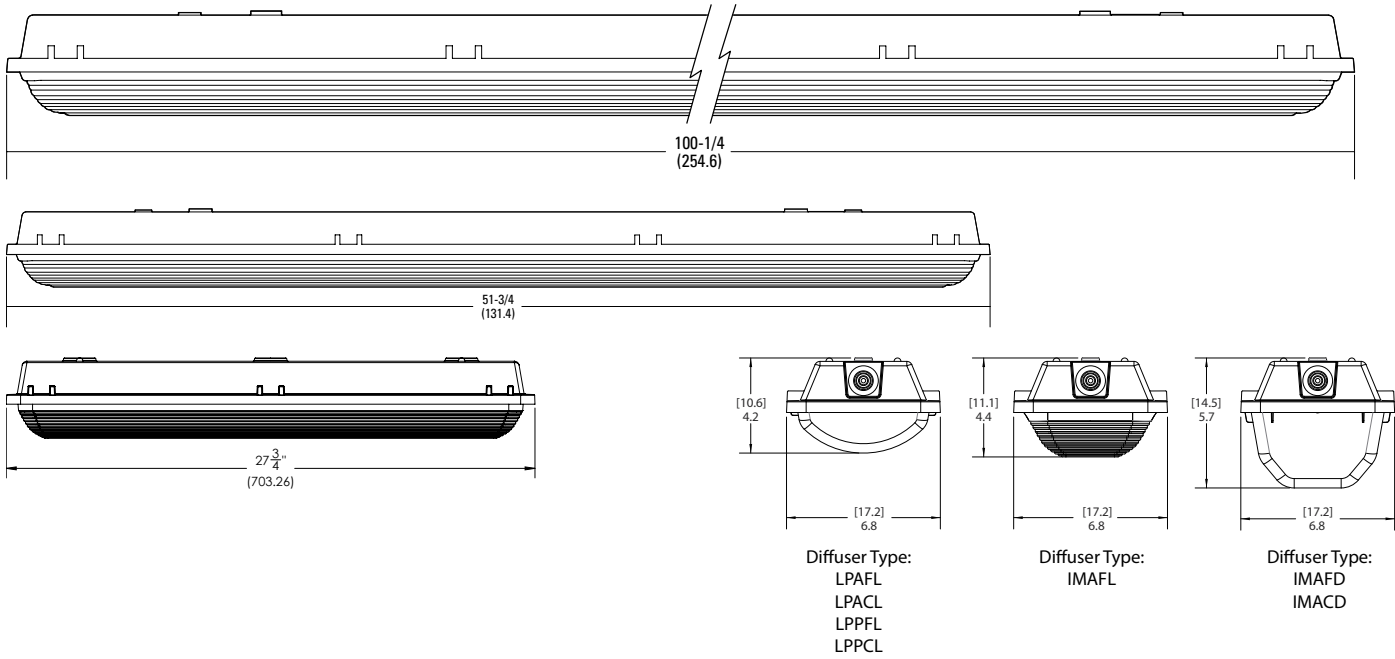
Notes ‡	
CMC	Available in 6ft or 12ft lengths only.
SB	Not available with WL.
WL	Not available with SB.
Y	Available with CMC or RMC only.

FEM LED Low-Profile Enclosed and Gasketed

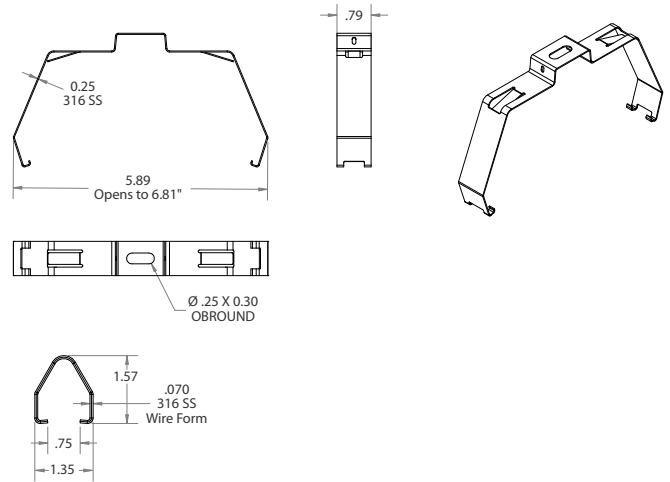
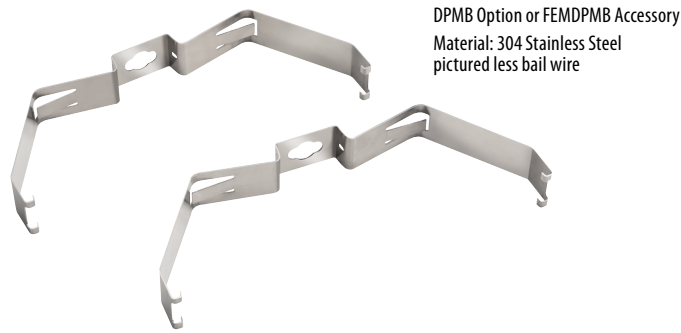
DIMENSIONS

Specifications subject to change without notice.
All dimensions are inches (centimeters) unless otherwise indicated.

Weight (may vary with options or accessories)
FEM L48: 11.9 lbs (5.397kg)
FEM L96: 24.3 lbs (11.022kg)



MOUNTING OPTIONS







ACCESSORIES

CMCMBH16YW, MCRMBH16WL
(actual product may vary depending on options chosen)



FEM LED Low-Profile Enclosed and Gasketed

EMBEDDED LUMINAIRE TECHNOLOGY GUIDE

Control Type	Sensor Nomenclature	Sensor Used (click on part number to link to sensor spec sheet)	Out of the box settings					Notes	Image	
			Unoccupied Time Until Dim/Off	Dim to Off Time Delay	Occupied Dim Level	Unoccupied Dim Level	Daylighting Set Point			
Sensor Switch Embedded Controls	SBOR6	SBOR 6 OEX EB3 WH	10M	n/a	100%	0V	n/a	360° High mount sensor, (15-30' mounting heights), outdoor PIR, on/off occupancy		
	SBOR6 D 3V	SBOR 6 OEX D EB3 WH 3V	10M	2.5M	100%	30%	n/a	360° High mount sensor, (15-30' mounting heights), outdoor PIR, occupancy controlled dimming		
	SBOR6 P	SBOR 6 OEX P EB3 WH	10M	n/a	100%	0V	5FC	360° High mount standalone embedded sensor (8-15'), outdoor PIR, on/off photocell		
	SBOR10	SBOR 10 OEX EB3 WH	10M	n/a	100%	0V	n/a	360° Low mount sensor, (8-15' mounting heights), outdoor PIR, on/off occupancy		
	SBOR10 D 3V	SBOR 10 OEX D EB3 WH 3V	10M	2.5M	100%	30%	n/a	360° Low mount sensor, (8-15' mounting heights), outdoor PIR, occupancy controlled dimming		
	SBOR10 P	SBOR 10 OEX P EB3 WH	10M	n/a	100%	0V	5FC	360° Low mount sensor, (8-15' mounting heights), outdoor PIR, on/off photocell		
Sensor Switch Embedded Controls	SBOR6 ER	SBOR 6 OEX EB3 WH	ETS DR	10M	n/a	100%	0V	n/a	360° High mount sensor, (15-30' mounting heights), outdoor PIR, on/off occupancy, UL924 emergency operation, includes IOTA ETS DR, 5 conductor power input	
	SBOR6 D 3V ER	SBOR 6 OEX D EB3 WH 3V	ETS DR	10M	2.5M	100%	30%	n/a	360° High mount sensor, (15-30' mounting heights), outdoor PIR, occupancy controlled dimming, UL924 emergency operation, includes IOTA ETS DR, 5 conductor power input	
	SBOR6 P ER	SBOR 6 OEX P EB3 WH	ETS DR	10M	n/a	100%	0V	5FC	360° High mount standalone embedded sensor (8-15'), outdoor PIR, on/off photocell, UL924 emergency operation, includes IOTA ETS DR, 5 conductor power input	
	SBOR10 ER	SBOR 10 OEX EB3 WH	ETS DR	10M	n/a	100%	0V	n/a	360° Low mount sensor, (8-15' mounting heights), outdoor PIR, on/off occupancy, UL924 emergency operation, includes IOTA ETS DR, 5 conductor power input	
	SBOR10 D 3V ER	SBOR 10 OEX D EB3 WH 3V	ETS DR	10M	2.5M	100%	30%	n/a	360° Low mount sensor, (8-15' mounting heights), outdoor PIR, occupancy controlled dimming, UL924 emergency operation, includes IOTA ETS DR, 5 conductor power input	
	SBOR10 P ER	SBOR 10 OEX P EB3 WH	ETS DR	10M	n/a	100%	0V	5FC	360° Low mount sensor, (8-15' mounting heights), outdoor PIR, on/off photocell, UL924 emergency operation, includes IOTA ETS DR, 5 conductor power input	
nLight Air Embedded Controls	NLTAIR2	RIO ZT 90D G2		n/a	n/a	80%	n/a	n/a	nLight® air embedded network interface, fully programmable with Clarity+ Pro app	
	NLTAIREM2	RIO ZT EM 90D G2		n/a	n/a	80%	n/a	n/a	nLight® air embedded network interface, fully programmable with Clarity+ Pro app, UL924 emergency operation, 3 conductor power input	
	NLTAIRER2	RIO ZT 90D G2	ETS DR	n/a	n/a	80%	n/a	n/a	nLight® air embedded network interface, fully programmable with Clarity+ Pro app, UL924 emergency operation, includes IOTA ETS DR, 5 conductor power input	
	NLTAIR2 APIRKO	RSBOR 10 EB3 WH G2		7.5M	2.5M	100%	10%	50FC	nLight® air generation 2 360° low mount sensor, (8-15' heights), combined daylight and occupancy dimming, fully programmable with Clarity+ Pro app	
	NLTAIR2 APIRMKO	RSBOR 6 EB3 WH G2		7.5M	2.5M	100%	10%	50FC	nLight® air generation 2 360° high mount sensor, (15-30' heights), combined daylight and occupancy dimming, fully programmable with Clarity+ Pro app	
	NLTAIR2 APIRHKO	RSBOR 40 EB3 WH G2		7.5M	2.5M	100%	10%	50FC	nLight® air generation 2 360° high mount site/area sensor, (40' heights), combined daylight and occupancy dimming, fully programmable with Clarity+ Pro app	
	NLTAIREM2 APIRKO	RSBOR 10 EM EB3 WH G2		7.5M	2.5M	100%	10%	50FC	nLight® air generation 2 360° low mount sensor, (8-15' heights), combined daylight and occupancy dimming, fully programmable with Clarity+ Pro app, UL924 emergency operation, 3 conductor power input	
	NLTAIREM2 APIRMKO	RSBOR 6 EM EB3 WH G2		7.5M	2.5M	100%	10%	50FC	nLight® air generation 2 360° high mount sensor, (15-30' heights), combined daylight and occupancy dimming, fully programmable with Clarity+ Pro app, UL924 emergency operation, 3 conductor power input	
	NLTAIREM2 APIRHKO	RSBOR 40 EM EB3 WH G2		7.5M	2.5M	100%	10%	50FC	nLight® air generation 2 360° high mount site/area sensor, (40' heights), combined daylight and occupancy dimming, fully programmable with Clarity+ Pro app, UL924 emergency operation, 3 conductor power input	
	NLTAIRER2 APIRKO	RSBOR 10 EB3 WH G2	ETS DR	7.5M	2.5M	100%	10%	50FC	nLight® air generation 2 360° low mount sensor, (8-15' heights), combined daylight and occupancy dimming, fully programmable with Clarity+ Pro app, UL924 emergency operation, includes IOTA ETS DR, 5 conductor power input	
	NLTAIRER2 APIRMKO	RSBOR 6 EB3 WH G2	ETS DR	7.5M	2.5M	100%	10%	50FC	nLight® air generation 2 360° high mount sensor, (15-30' heights), combined daylight and occupancy dimming, fully programmable with Clarity+ Pro app, UL924 emergency operation, includes IOTA ETS DR, 5 conductor power input	
	NLTAIRER2 APIRHKO	RSBOR 40 EB3 WH G2	ETS DR	7.5M	2.5M	100%	10%	50FC	nLight® air generation 2 360° high mount site/area sensor, (40' heights), combined daylight and occupancy dimming, fully programmable with Clarity+ Pro app, UL924 emergency operation, includes IOTA ETS DR, 5 conductor power input	