

FEATURES & SPECIFICATIONS

INTENDED USE

Recessed housing rated IC or Non-IC. For new construction only.
 Approved for all ceiling and wiring types.
 Approved for direct burial in insulation.

CONSTRUCTION

Air-tight standard. Tested to meet current energy codes.
 Aluminum foam-gasketed housing with galvanized steel pan.
 Galvanized bar hangers span up to 24" o.c. and feature built in nailer and integral T-bar clips. Two locking screws hold fixture in position.
 Galvanized steel junction box with four built-in Romex clamps; five 1/2" and two 3/4" nominal knockouts with slots for pryout. Rated for through branch wiring.
 Maximum 4 (2 in, 2 out) No 12 AWG conductors. Rated for 90° C.
 Ground wire provided.
 Removable J-box doors for easy access.

Trim retention (TOR): Two side-mounted torsion springs on the trim and 2 receiving brackets in the can ensure a consistently tight fit with the ceiling.

ELECTRICAL

Quick disconnect provided for power connection to the LED modules.
 Paint overspray masked by disposable disconnect plug.
 Housing and LED module combination is IC rated and thermally protected.
 120 volts only.

INSTALLATION

Air-tight housing suitable for air-tight installations. Refer to energy codes for proper installation.
 2 x 8 wood joist or T-bar installation.
 Expandable bar hangers allow for off center mounting in wood joist or T-bar ceilings.
 Length of 25 1/4" maximum 13 1/4" minimum or cut to fit 9" on center joist construction.
 Vertical adjustment of housing allows for flush mounting with ceiling face.
 Suitable to ceilings up to 1-1/2" thick.

LISTINGS

UL Listed to US and Canadian safety standards.
 Wet location listed, Title 24 compliant.

WARRANTY — 1-year limited warranty. Complete warranty terms located at:
www.acuitybrands.com/support/warranty/terms-and-conditions

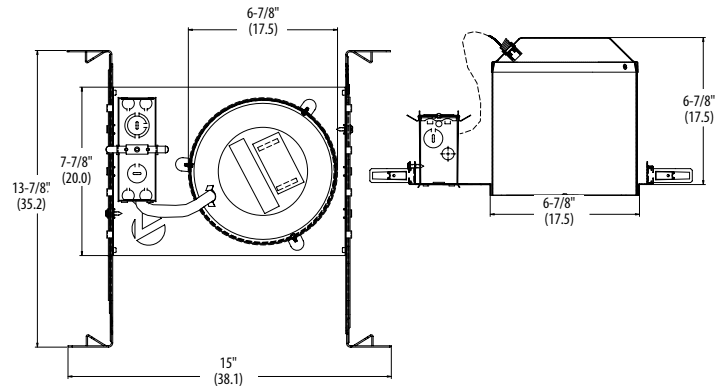
Note: Actual performance may differ as a result of end-user environment and application.
 All values are design or typical values, measured under laboratory conditions at 25 °C.
 Specifications subject to change without notice.

Catalog Number
Notes
Type

6" LED Housing

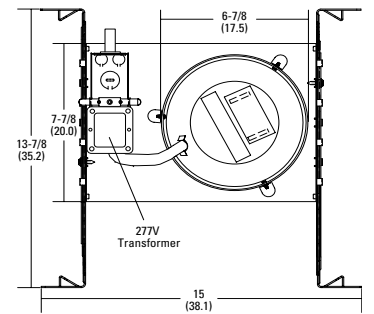
L7XLED T24

LED
 IC/Non-IC
 New Construction



Specifications

- Height: 6-7/8 (17.5)
- Length: 15 (38.1)
- Width: 13-7/8 (35.2)
- Ceiling cutout: 7 (17.8)



All dimensions are inches (centimeters) unless otherwise specified. **option 277V step down transformer**

ORDERING INFORMATION

For shortest lead times, configure products using **bolded options**.

Example: L7XLED T24

L7XLED T24	Options	Packaging
L7XLED T24	SDT 277V Non-IC 277V step-down transformer (277V to 120V). Only available with REALITY LED Module (REAL6)	R6 Resale pack of six U Unit

Accessories: Order as separate catalog number.	
ATK6 R6	6" Air-tight trim kit
HS6875	6-7/8" hole saw

L7XLED T24 New Construction Housing

P Series Open and Baffle Wide Flange LED Modules (Wet Location)



Example: 6BP TRMW LED 27K 90CRI
L7XLED T24

ORDERING INFORMATION

Lead times will vary depending on options selected. Consult with your sales representative.

Series/Finish	Lamp	CCT / CRI / W / Lumens ¹	Voltage
6BPMW [‡] 6" Baffle LED module, matte white	LED	(blank) 3000 K / 83 CRI / 12.7W / 725L	(blank) 120V
6BP TRMW 6" Baffle LED module, black baffle, matte white flange		27K 90CRI 2700 K / 93 CRI / 11.2W / 600L	
6BPBN 6" Baffle LED module, brushed nickel		30K 90CRI 3000 K / 93 CRI / 11.2W / 600L	
6BPORB 6" Baffle LED module, oil-rubbed bronze	HL LED	(blank) 3000 K / 83 CRI / 15.2W / 950L	
6OPA 6" Open LED module, clear diffuse		27K 90CRI 2700 K / 93 CRI / 16.5W / 860L	
6OPAZ 6" Open LED module, clear specular		30K 90CRI 3000 K / 93 CRI / 16.5W / 860L	
6OPA TRMW 6" Open LED module, clear diffuse, matte white flange			
6OPAZ TRMW 6" Open LED module, clear specular, matte white flange			

[‡] These configurations are energy star rated.

Notes

1 Total system delivered lumens.

E Series Baffle Wide Flange LED Modules (Wet Location)



Example: 65BEMW LED 27K
L7XLED T24

ORDERING INFORMATION

For shortest lead times, configure products using **bolded options**.

Series/Finish	Lamp	CCT / CRI / W / Lumens ¹	Voltage
65BEMW[‡] 5" / 6" Baffle LED module, matte white	LED	27K 90CRI 2700 K / 93CRI / 10.3W / 650L 30K 90CRI 3000 K / 93CRI / 10.1W / 690L 40K 90CRI 4000 K / 93CRI / 10.4W / 770L	(blank) 120V

[‡] These configurations are energy star rated.

Notes

1 Total system delivered lumens.

L7XLED T24 New Construction Housing

LED Gimbal Module (Damp location)



Example: 6G1MW LED
L7XLED T24

ORDERING INFORMATION For shortest lead times, configure products using **bolded options**.

6G1 [‡]		LED					
Series/Finish		Lamps	CCT / CRI / W / Lumens ³			Voltage	
<u>Series</u>	<u>Finish</u>	LED	27K 90CRI	2700 K / 91CRI / 11W / 680L	(blank) 120V		
6G1	6" Gimbal Module	MW	30K 90CRI	3000 K / 91CRI / 10.3W / 790L			
		MB	40K 90CRI	4000 K / 94CRI / 10.5W / 820L			
		BN					
		ORB					

‡ These configurations are energy star rated.

Notes

- 1 Matte black is available in 30K only.
- 2 Brush Nickel is available in 27K and 30K only.
- 3 Total system delivered lumens.

LED iGimbal Module (Damp location)



Example: 6iGMW LED 30K 90CRI
L7XLED T24

ORDERING INFORMATION For shortest lead times, configure products using **bolded options**.

6iG [‡]		LED					
Series/Finish		Lamps	CCT / CRI / W / Lumens ¹			Voltage	
<u>Series</u>	<u>Finish</u>	LED	27K 90CRI	2700 K / 92CRI / 11.9W / 720L	(blank) 120V		
6iG	6" Gimbal module	MW	30K 90CRI	3000 K / 92CRI / 12.2W / 750L			
			40K 90CRI	4000 K / 95CRI / 11.6W / 770L			

‡ These configurations are energy star rated.

Notes

- 1 Total system delivered lumens.