



OLMF LED Floodlight



Catalog
Number

Notes

Type

Hit the Tab key or mouse over the page to see all interactive elements.

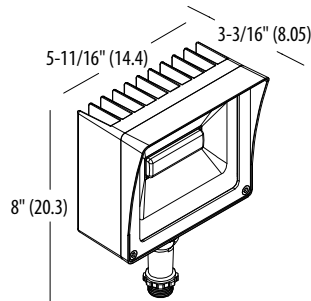
Specifications

Depth: 3-3/16"
(8.05 cm)

Width: 5-11/16"
(14.4 cm)

Height: 8"
(20.3 cm)

Weight: 3 lbs
(1.36 kg)



Introduction

The OLMF Floodlight delivers 2,500 lumens using just 28W power. It's the ideal replacement for 300W Quartz halogen floods, and delivers energy savings up to 90% with service life of over 10 years. It is ideal for illuminating yards, driveways, patios, and warehouses.

Ordering Information

EXAMPLE: OLMF P1 40K 120 DDB

OLMF	P1	40K	120	DDB
Series	Performance Package	Color Temperature	Voltage	Finish (required)
OLMF	P1 2,500 lumens	40K 4000K *	120 120 volts	DDB Dark bronze

*Nominal correlated color temperature per ANSI C78-377-2008

FEATURES & SPECIFICATIONS

INTENDED USE

The robust design of the OLMF floodlight with energy efficient LEDs, is suitable for replacing up to 300W Metal Halide. It is ideal for landscape, signage, and general purpose lighting in commercial and residential applications.

CONSTRUCTION

Die-cast aluminum housing has integral heat sink fins to optimize thermal management through conductive and convective cooling. The LED driver is mounted in direct contact with the casting to promote low operating temperature and long life. Tempered glass lens is fully gasketed to keep moisture and bugs out.

FINISH

Exterior parts are protected by a dark bronze Durable powder coat finish that provides superior resistance to corrosion and weathering.

ELECTRICAL

Light engine(s) consist of chip-on-board (COB) LEDs directly coupled to the housing to maximize heat dissipation and promote long life (50,000 hrs).

INSTALLATION

Mounts easily to junction box or under building eave.

LISTINGS

ETL Certified to US and Canadian safety standards. Wet location listed for mounting higher than 4' off the ground.

WARRANTY

5-year limited warranty. Complete warranty terms located at:
www.acuitybrands.com/CustomerResources/Terms_and_conditions.aspx.

Note: Actual performance may differ as a result of end-user environment and application. All values are design or typical values, measured under laboratory conditions at 25 °C. Specifications subject to change without notice.



COMMERCIAL OUTDOOR

One Lithonia Way • Conyers, Georgia 30012 • Phone: 800.705.7378 • www.lithonia.com
© 2012-2019 Acuity Brands Lighting, Inc. All rights reserved.

OLMF

