

**MARK**® Nol





### Shallow, Accessible, Efficient Nol

#### Taking recessed lighting to new (and lower) heights

In creating Nol, Mark Architectural Lighting has designed a groundbreaking family of recessed luminaires to meet the demands of today's lighting specifier, contractor and end user. The ability to fit in practically any plenum space, remarkable accessibility, energy efficiency and aesthetic detailing make Nol an innovative solution to the lighting needs of modern spaces.

With the growing emphasis on reduced plenum height, there is an increasing demand for low-profile recessed lighting fixtures. Nol (derived from the Swedish "noll," meaning zero) is the ultimate answer to that need. Nol fixture depths are as shallow as 1¼ inches, and an optional install-from-below feature essentially eliminates the necessity for extra space above the grid during installation.

The install-from-below option is a time saver as well as a space saver. It and a quick-release ballast/lamp compartment make installation and maintenance a snap – literally.

Functionality is important, but great lighting doesn't stop there. Nol is designed to perform—and to do it with both efficiency and style. It minimizes glare to provide balanced luminance, and it is able to achieve energy efficiency ratings approaching 90 percent. Its stylish design—including a center reveal, decorative accents and multiple lensing options—maximizes its aesthetic appeal.

## Simplicity Defined

### Install and maintain with maximum ease

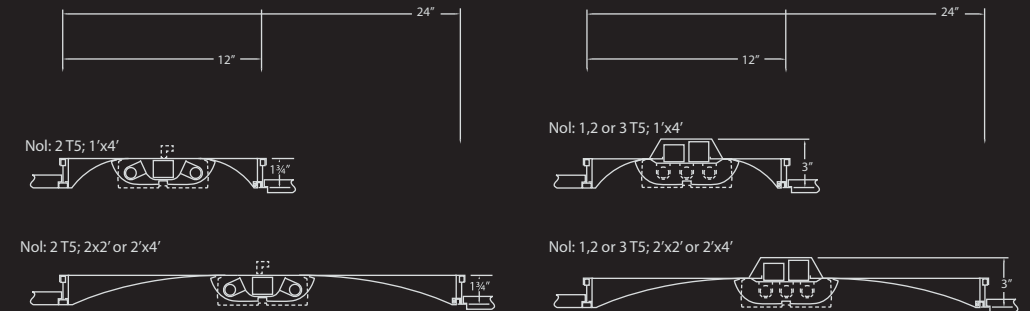
The Nol series features a patent-pending install-from-below option that simplifies installation, maximizes accessibility, and virtually eliminates the need for additional plenum space for installation. With this spring-loaded design and a lens that simply snaps into place, installation can be completed in only a couple of minutes per fixture.

A prelampped option takes Nol's ease of installation to the maximum. With this option, the fixture comes ready to install with both the lens and lamp in place.

Nol's extraordinary accessibility does not end with the installation process. A quick-release ballast/lamp compartment, which greatly enhances serviceability and ease of maintenance, is standard on Nol.



## A Nol for Any Plenum



### Perfect fit for even the shallowest of spaces

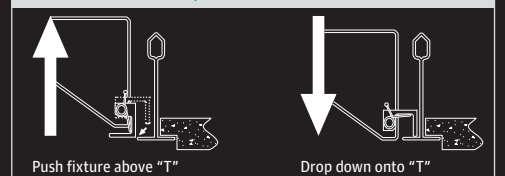
Reducing plenum height is becoming a prudent way to reduce the cost and environmental impact of a building project. Eliminating a few inches per floor in a high-rise building can lead to substantial overall savings in both cost and materials. As economic and ecological concerns propel an interest in lower plenum heights and as plenum space in general becomes more crowded with other components, minimal-depth lighting choices are becoming increasingly desirable.

The two-lamp version of Nol is available in an ultra shallow 1 3/4-inch depth, thin enough to fit in virtually any plenum space. And with the install-

from-below option, there's no need to allow extra inches above the grid for installation.

Just as all plenums are not super shallow, all Nols are not ultra thin. The one- and three-lamp versions of Nol are 3 inches deep, still a relatively low profile.

### Install-from-below Operation





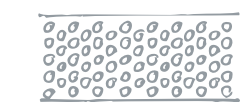
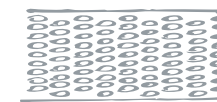
## Performance, Efficiency, Style

### Designed to be a winner on all levels

Superior functionality and accessibility alone do not make an outstanding luminaire. That's why Nol was also designed for superb performance, efficiency and style.

Nol is exceptionally efficient, achieving energy efficiency ratings over 88 percent. While glare is often a problem with highly efficient direct luminaires, Nol has been engineered to provide balanced luminance. The curvature of the rolled reflector is designed to minimize glare and maximize uniformity, resulting in a more pleasing visual effect.

Nol's distinctive, elegant styling is ideal for a wide range of environments, and an array of design options allows plenty of room for creativity. Choices include multiple shielding options in round and square styles plus a variety of decorative accents.



# MARK<sup>®</sup> ARCHITECTURAL LIGHTING



RWF – Rounded white frost



RCO – Rounded clear with overlay



RCL – Rounded clear



RCF – Rounded clear frost



SWF – Squared white frost



SCF – Squared clear frost

Example: NOL 22 G9 2 T5 GEB10IS 120 RWF

Series	Size	Ceiling type	No. of lamps	Lamp type	Ballast	Voltage	Shielding	Options								
NOL	14	1' x 4'	G9	9/16" wide inverted tee	1 <sup>1</sup>	T5	GEB10IS	Standard instant start	120	RCL	Rounded clear	EL5 <sup>3</sup>	Iota ISL28, 450 lumens (14W T5 & 24W T5HO)	RED	Red insert	
	22	2' x 2'	G15	15/16" wide inverted tee	2	T5HO	GEB10RS	Programmed rapid start	277	RCO	Rounded clear with overlay	EL8 <sup>4</sup>	Iota ISL54, 800 lumens (28/54W T5/T5HO)	BLUE	Blue insert	
	24	2' x 4'		9/16" wide inverted tee	3 <sup>1</sup>	GEB10DIM	Dimming (specify)	347 <sup>2</sup>	RCF	Rounded clear frost	EL14 <sup>1,3</sup>	Iota ISL540, 1300 lumens (54W T5HO only)	GREEN	Green insert		
			DF	9/16" slot grid		DMHL3D	Lutron Hi-lume <sup>®</sup> 3D		RWF	Rounded white frost	Z	Install from below	CP	Chicago plenum		
		For sheetrock ceilings, consult factory.			ECO10	Lutron Eco-10 <sup>®</sup>		SCF	Squared clear frost	LP830	830 lamps installed	AR <sup>4</sup>	Air return			
					ECOS	Lutron Eco System <sup>®</sup>		SWF	Squared white frost	LP835	835 lamps installed	WH6	6' prewired whip			
					SS	SIMPLY5				LP841	841 lamps installed					
										RP	Round perforated insert					For Reloc <sup>®</sup> system, consult factory.
										SP	Square perforated insert					
										OP	Oblong perforated insert					

## Notes

- 1 Increases fixture depth to 3".    2 Consult factory for lamp and ballast compatibility.    3 EL14 will be a remote ballast assembly.    4 AR option not available with Z option.