

# MARK<sup>®</sup> ARCHITECTURAL LIGHTING



## The Aurora Series

Featuring a large, concave center reflector, Aurora gives the illusion of a skylight. Its softly reflected light provides uniform illumination that is ideal for a variety of business and institutional settings, and its classic styling complements many architectural environments.

Aurora offers a choice of either perforated side baskets with soft-white acrylic overlay or an acrylic diffuser in smooth or ribbed styles. The lens increases performance and enables it to achieve efficiencies as high as 78.8 percent.

Type:

Project:

Catalog Number:

DO NOT TYPE HERE. Autopopulated field.

## Specification Features

### Housing

Nominal 2'x2' or 2'x4' housing fabricated from 20-gauge, cold-rolled steel. Ballast compartments provided with 7/8"-diameter KOs.

### Finish

Matte white.

### Reflector

Precision-formed steel; white.

### Shielding

Perforated side baskets with soft-white acrylic overlays, or contoured acrylic lens diffuser in soft-white smooth or linear ribbed.

### Lamps

(2) T5, T5HO or T8, or (2) 40W or 50W BX in cross section. See lamp chart. All lamps provided by others.

### Ballast

Thermally protected Class P energy-saving electronic ballast.

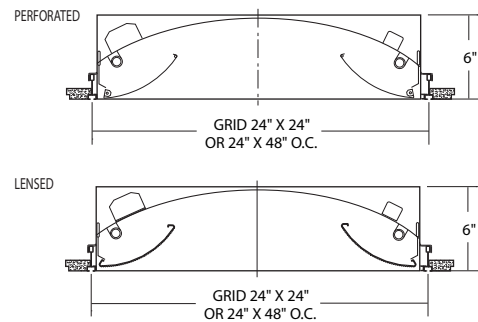
### Mounting

Recessed lay-in. Accommodates 9/16" slot grid or 15/16" inverted tee, or 9/16" inverted tee. Unit requires top access. Consult factory if units are to be continuously row mounted.

### Certification

cULus Listed, IBEW (Local 3) Union-made in the USA.

## Technical Drawings



## Ordering

Example: AU 22 G9 2T5 EBPR 120

Series	Size	Ceiling type	No. of lamps/Lamp type <sup>1,2</sup>	Ballast	Voltage	Shielding	Options
AU Aurora	22 2' x 2' 24 2' x 4'	G9 9/16" wide inverted tee DF 9/16" slot grid or 15/16" wide inverted tee	Number of lamps <sup>1</sup> 2 Lamp type <sup>2</sup> T5 T5HO T8 40BX 50BX	EBPR Program rapid start (standard) EBIS Instant start EDB Dimming (specify) EDHL Lutron Hi-Lume <sup>®</sup> dimming EDE10 Lutron Eco-10 <sup>®</sup> dimming EDES Lutron Eco System <sup>®</sup>	120 277 347 <sup>3</sup>	(blank) Perforated side baskets SWR Soft-white ribbed lens SWS Soft-white smooth lens	EMPK Emergency battery pack AR Air return CP Chicago plenum

### Notes

- Lamps per cross section. See configurations table.
- Consult factory for other lamps.
- Consult factory for lamp and ballast compatibility.

### CONFIGURATIONS

SIZE	LAMPS PER CROSS SECTION	LAMPS PER FIXTURE	LAMP TYPE
2' x 2'	2	2	T5, T5HO, T8, 40BX, 50BX
2' x 4'	2	2	T5, T5HO, T8
2' x 4'	2	4	40BX, 50BX