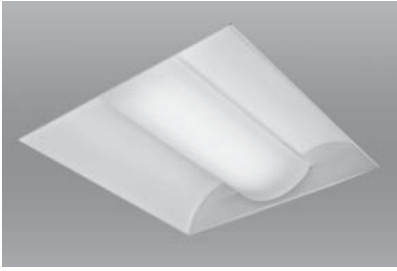


MARK[®] ARCHITECTURAL LIGHTING



The Meridian Series

The well-balanced, glare-free illumination of the Meridian series is created by a center diffuser combined with a curved reflector. The resulting redirected light is effective in many settings including office, educational and institutional spaces.

Utilizing a soft-white acrylic diffuser in a choice of smooth or ribbed design, Meridian is able to achieve efficiencies as high as 84.9 percent. Meridian is also available in a non-lensed style that features a perforated center basket with a soft-white acrylic overlay.

Type:

Project:

Catalog Number:

DO NOT TYPE HERE. Autopopulated field.

Specification Features

Housing

Nominal 1'x4', 2'x2' or 2'x4' housings fabricated from 20-gauge cold-rolled steel. Ballast compartments provided with 7/8"-diameter KOs.

Finish

Matte white.

Reflector

Precision-formed steel; white.

Shielding

Perforated center basket with soft-white acrylic overlay, or contoured acrylic lens diffuser in soft-white smooth or linear ribbed.

Lamps

(1), (2) or (3) T5, T5HO or T8, or (1) or (2) 40W or 50W BX in cross section. See lamp chart. All lamps provided by others.

Ballast

Thermally protected Class P energy-saving electronic ballast.

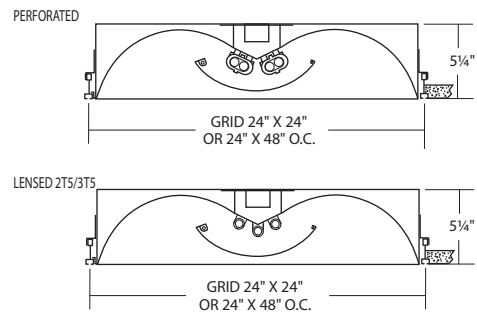
Mounting

Recessed lay-in. Accommodates 9/16" slot grid or 15/16" inverted tee, or 9/16" inverted tee. Unit requires top access. Consult factory if units are to be continuously row mounted.

Certification

cULus Listed, IBEW (Local 3) Union-made in the USA.

Technical Drawings



Ordering

Example: MD 22 G9 2T5 EBPR 120 SWS

Series	Size	Ceiling type	No. of lamps/Lamp type ^{1,2}	Ballast	Voltage	Shielding	Options
MD Meridian	14 1' x 4'	G9 9/16" wide inverted tee	Number of lamps ¹ Lamp type ²	EBPR Program rapid start (standard)	120	(blank) Perforated center basket	EMPK Emergency battery pack
	22 2' x 2'	DF 9/16" slot grid or 15/16" wide inverted tee	1 T5	EBIS Instant start	277	SWR Soft-white ribbed lens	AR Air return
	24 2' x 4'		2 T5HO	EDB Dimming (specify)	347*	SWS Soft-white smooth lens	CP Chicago plenum
			3 ³ T8	EDHL Lutron Hi-Lume [®] dimming			
			40BX	EDE10 Lutron Eco-10 [®] dimming			
			50BX	EDES Lutron Eco System [®]			

Notes

- Lamps per cross section. See configurations table.
- Consult factory for other lamps.
- T5, T5HO and T8 only; for 2x2 and 2x4.
- Consult factory for lamp and ballast compatibility.

CONFIGURATIONS

SIZE	LAMPS PER CROSS SECTION	LAMPS PER FIXTURE	LAMP TYPE
1' x 4'	1,2	1,2	T5, T5HO, T8
1' x 4'	1	2	40BX, 50BX
2' x 2'	1, 2, 3	1, 2, 3	T5, T5HO, T8
2' x 2'	2	2	40BX, 50BX
2' x 4'	1, 2, 3	1, 2, 3	T5, T5HO, T8
2' x 4'	2	4	40BX, 50BX