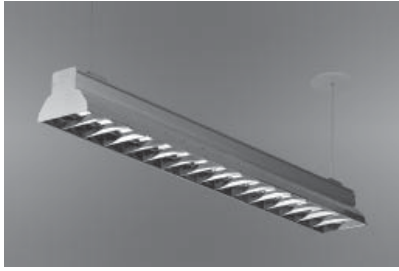


# MARK<sup>®</sup> ARCHITECTURAL LIGHTING



## The Quicksilver Series

The high-tech industrial look of Quicksilver makes it a popular choice for a variety of commercial and corporate settings. An open-louver direct luminaire, Quicksilver also features parabolic side rails that are slotted to provide a touch of uplight. An integrated track along the top of the housing allows mounting flexibility.

Quicksilver is available in 4- and 8-foot lengths, and units accommodate one or two T5 or T5HO lamps.

Type:

Project:

Catalog Number:

DO NOT TYPE HERE. Autopopulated field.

## Specification Features

### Housing

Nominal 4' and 8' housings fabricated from heavy-gauge extruded aluminum.

### End Caps

Flat aluminum end plate.

### Finish

Natural anodized aluminum.

### Reflector

Precision-formed specular aluminum.

### Shielding

Specular aluminum baffle. Parabolic side rails slotted to provide uplight.

### Lamps

(1 or 2) T5 or T5HO. Lamps provided by others.

### Ballast

Thermally protected Class P energy-saving electronic ballast.

### Mounting

Pendant mounted with stainless steel cable. Hanging brackets slide along integral track in top of fixture and allow adjustment for various job-site conditions.

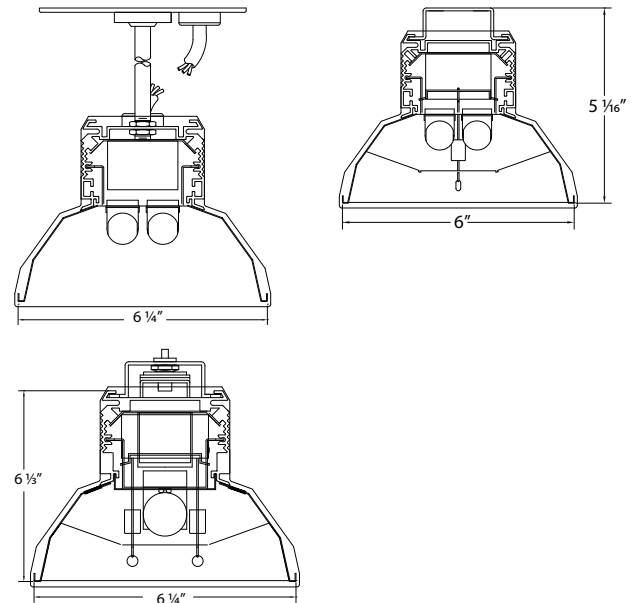
### Electrical Connections

Prewired with quick-disconnect plugs for quick and accurate connections.

### Certification

UL Listed, IBEW (Local 3) Union-made in the USA.

## Technical Drawings



## Ordering

Example: QSI 4 CG 2T5 EBIS 120

Series	Length	Mounting	No. of lamps/Lamp type	Ballast	Voltage	Options
QSI Quicksilver	4 Nominal 4' 8 Nominal 8'	CG Cable and gripper CGPF Cable, gripper and power feed	Number of lamps 1 2	Lamp type T5 T5HO	EBPR Program rapid start (standard) EBIS Instant start EDB Dimming (specify) EDHL Lutron Hi-Lume <sup>®</sup> dimming EDE10 Lutron Eco-10 <sup>®</sup> dimming EDES Lutron Eco System <sup>®</sup>	120 277 347 <sup>1</sup> EMPK Emergency battery pack

### Notes

1 Consult factory for lamp and ballast compatibility.