



**RELOC**<sup>®</sup>  
WIRING SOLUTIONS

## IMPORTANT SAFETY INSTRUCTIONS

### RELOC MAINRUN CABLE (RMC)

**WARNING: FAILURE TO FOLLOW THESE INSTRUCTIONS AND WARNINGS MAY RESULT IN DEATH, INJURY, OR SIGNIFICANT PROPERTY DAMAGE**

For your protection, read and follow these warnings and instructions carefully before installing or maintaining this device. These instructions do not attempt to cover all installation and maintenance situations. If you do not understand these instructions or additional information is required, contact RELOC Wiring Systems or your local Lithonia Lighting distributor.

**WARNING:**

**RISK OF ELECTRIC SHOCK**

To avoid electric shock, serious injury, or death, be certain that all electrical power is disconnected from the supply branch circuit conductors before installing or maintaining this product. This product must be installed and maintained in accordance with the applicable installation codes by a person familiar with the construction and operation of the product and the hazards involved.

**WARNING:**

**RISK OF PERSONAL INJURY**

This product may have sharp edges. Wear gloves to prevent cuts or abrasions when removing from reel, handling, installing and maintaining this product.

RELOC Wiring Systems assumes no responsibility for claims arising out of improper or careless installation or handling of this product.

**DELIVERY:**

- Upon receipt of product, thoroughly inspect for any freight damage.
- All damage should be reported to the delivery carrier.
- Compare the catalog description listed on the packing slip with the product label to be sure you have received the correct merchandise.

**TROUBLESHOOTING:**

If this fixture fails to operate properly, check to make sure:

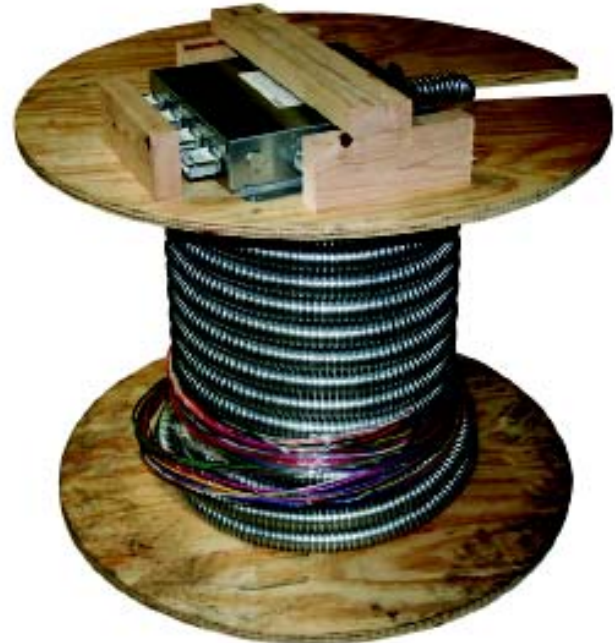
- The product is wired correctly.
- The line voltage at the product is correct.

**WARNING:**

- Do not install a damaged product.
- This product must be wired in accordance with the National Electrical Code and applicable local codes and ordinances.
- Use code compliant connectors for all electrical connections.
- ALL work should be done by a qualified individual.

**WARNING:**

NEVER connect or disconnect any component while power supply is engaged.



**GENERAL INSTRUCTIONS:**

1. The DBP, both with the RMC and without, and the DBS can be installed in the ceiling for power distribution of lighting or convenience power circuits. They can also be installed under a raised floor for power distribution of lighting or convenience power circuits.
2. Standard packaging for the RMC is coiled on a reel. The RMC is also available coiled on an individual pallet or coiled in a container. Ensure that proper handling equipment is available to unpack the container.
3. If the RMC is supplied with a pre-wired DBP or PB, ensure that the connection between the RMC and DBP are not subjected to any bending force due to pulling during installation. The RMC armor may be damaged if bent too sharply.
4. Each terminal in the terminal block supplied with the PB ready for field wiring is rated for:
  - a. 2 each 14 AWG conductors or
  - b. 2 each 12 AWG conductors or
  - c. 1 each 10 AWG conductor or
  - d. 1 each 8 AWG conductor or
  - e. 1 each 6 AWG conductor
5. Each terminal in the terminal block supplied with the PB ready for field wiring must be tightened using a maximum of 16 inch-pounds of torque.

**SAVE THESE INSTRUCTIONS AND DELIVER TO OWNER AFTER INSTALLATION**

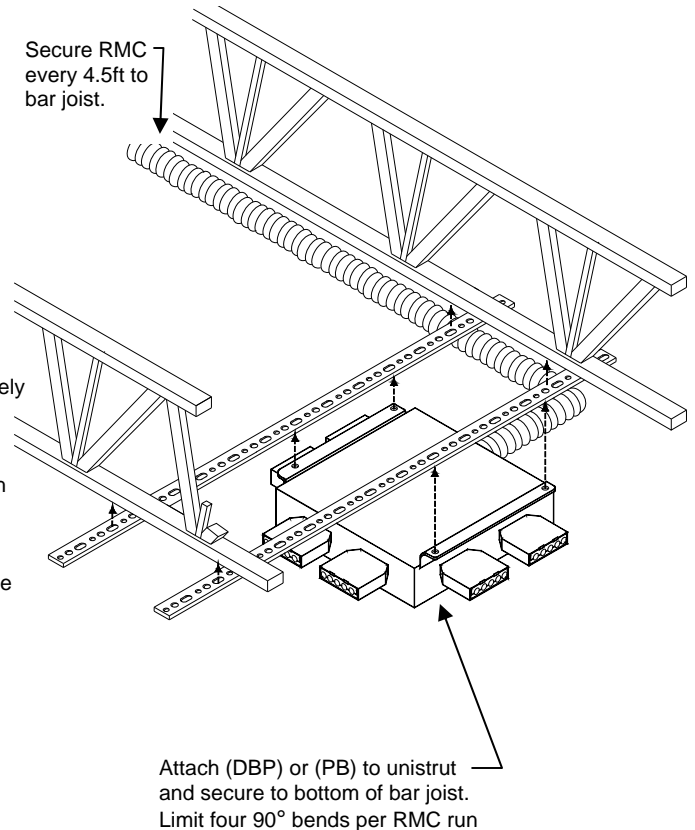
## Reloc Main run Cable (RMC)

The Reloc RMC is provided in three forms:

1. RMC coiled with leads (no terminations) at either end
2. Pre-wired with the Reloc DBP attached
3. Pre-wired with a PB ready to accept field wiring

### 1. RMC Pre-wired with Reloc Distribution Box Primary (DBP):

- a. **Overhead Installation:**
  - i. Place the container under the point at which the DBP will be installed.
  - ii. With the DBP and RMC assembly in its container, cut the wire or plastic bands that hold the RMC in its coiled form.
  - iii. Pull the panel end of the RMC out of the container and over an appropriate pulling lead or pulley. Pull the RMC toward the electrical panel that will distribute power to the DBP.
  - iv. When the RMC is fully extended, pull the DBP into the overhead location where it will be installed.  
DO NOT install box to ceiling.
  - v. Once in place, secure and support the DBP and RMC appropriately in accordance with applicable codes.
- b. **Under floor Installation:**
  - i. Place the container near the electrical room or junction box which will distribute power to the DBP.
  - ii. With the DBP and RMC assembly in its container, cut the wire or plastic bands that hold the RMC in its coiled form.
  - iii. Pull the DBP end of the assembly out of the container and pull the RMC toward the point at which the DBP will be installed.
  - iv. Once in place, secure the DBP and RMC appropriately in accordance with applicable codes.



**RMC INSTALLATION DETAIL**

### 2. RMC Pre-wired with Pull Box (PB):

- a. **Overhead Installation:**
  - i. Place the container under the point at which the PB will be installed.
  - ii. With the PB and RMC assembly in its container, cut the wire or plastic bands that hold the RMC in its coiled form.
  - iii. Pull the panel end of the RMC out of the container and over an appropriate pulling lead or pulley. Pull the RMC toward the electrical panel that will distribute power to the PB.
  - iv. When the RMC is fully extended, pull the PB into the overhead location where it will be installed.
  - v. Once in place, secure and support the DBP and RMC appropriately in accordance with applicable codes.
  - vi. Remove the PB cover and retain it for final installation.
  - vii. Connect field wiring to the PB using the labeled terminal block as a guide.
  - viii. Replace the PB cover and mark the label to indicate the panel and circuits connected to it.
- b. **Under floor Installation:**
  - i. Place the container near the electrical room or junction box which will distribute power to the PB.
  - ii. With the PB and RMC assembly in its container, cut the wire or plastic bands that hold the RMC in its coiled form.
  - iii. Pull the PB end of the assembly out of the container and pull the RMC toward the point at which the PB will be installed.
  - iv. Once in place, secure the PB and RMC appropriately in accordance with applicable codes.
  - v. Remove the PB cover and retain it for final installation.
  - vi. Secure the PB appropriately in accordance with applicable codes.
  - vii. Connect field wiring to the PB using the labeled terminal block as a guide.
  - viii. Replace the PB cover and mark the label to indicate the panel circuits connected to it.

### 3. RMC with leads (no terminations):

- a. **Overhead Installation:**
  - i. Place the container under the point at which the junction box fed by the RMC will be installed.
  - ii. With the RMC in its container, cut the wire or plastic bands that holds the RMC in its coiled form.
  - iii. Pull the panel end of the RMC out of the container and over an appropriate pulling lead or pulley. Pull the RMC toward the electrical panel that will distribute power to the junction box.
  - iv. Once in place, secure and support the RMC appropriately in accordance with applicable codes.
- b. **Under floor Installation:**
  - i. Place the container near the electrical room which will distribute power via the RMC to a junction box.
  - ii. With the RMC assembly in its container, cut the wire or plastic bands that hold the RMC in its coiled form.
  - iii. Pull the junction box end of the RMC out of the container and pull it toward the point at which the junction box will be installed.
  - iv. Once in place, secure the RMC appropriately in accordance with applicable codes.

