

# Installation Instructions

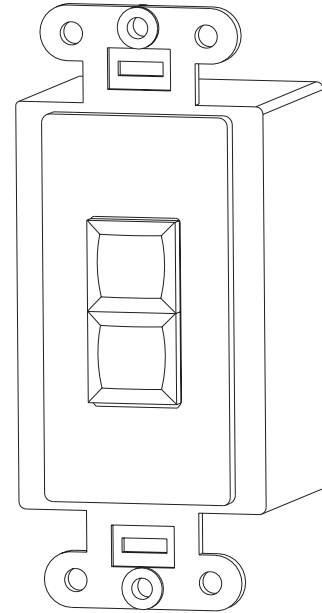
## LVPS 2 BUTTON SWITCH

### Before You Start

1. Install in accordance with the National Electrical Code and any other codes which may apply.
2. Use only as intended.

### Important Wiring Notes

1. Switches are Class 2 devices. Install according to local standards and codes.
2. Do not install Class 2 and line voltage conductors in the same conduits or outlet boxes.
3. For runs up to 500 feet, #18 AWG conductors may be used. For runs up to 1200 feet use #16 AWG conductors.
4. Where excessive electrical noise is present use shielded cable.
5. Place link jumper on relay module pilot output voltage selector into "LK3" position, which outputs 20 VDC to pilot light. **If four or more pilot lights are to be connected to a single pilot terminal a second jumper must be added in the LK1 position.** The pilot outputs of relays are associated with the RELAY status, not the input status.
6. Program switch input types as follows:  
For Synergy  
Latching, or alternate action in certain applications  
For SwitchPak  
3-Wire Momentary
7. See the Synergy or SwitchPak Operation Manuals for additional information about input programming.
8. Consult factory for connection to systems other than Synergy. Contact Synergy Lighting Controls technical service between 8:00 AM and 5:00 PM EST Mon-Fri at 800-533-2719.



### Installation

1. The LVPS installs in a standard Decora® style wallplate and can be multi-ganged as needed.
2. See *Figure 2* for typical wiring details.

### Button Labels

The button caps in the LVPS will accept 1/2" square custom printed labels. Custom labels should be printed on high quality transparency film. The LVPS comes standard with 5 pre-printed labels, (2) ON/OFF, (2) ARROWS (for raise or lower) and (1) UP and DOWN arrow. To install the labels:

1. Remove the button caps by gently prying them away from the LVPS buttons using a small flat blade screwdriver.
2. Place the label under the button cap, then press the button cap back on the button. Make sure the locking tabs in the button caps are in the vertical position. (See *Figure 1* for details)

Visit Synergy Lighting Controls on the internet at <http://www.synergylightingcontrols.com> for further information on products, technical data or installation instructions.

### Warranty

Synergy Lighting Controls warrants all equipment to be free from defect in manufacturing under normal and proper storage, installation, and operation for a period of one (1) year. Our guarantee liability extends only to the repair or replacement of the defective part and no labor charges for correction of the defect by repair or replacement will be honored by Synergy Lighting Controls unless prior written authorization has been granted by our Customer Service Department.

# Installation Instructions

## LVPS 2 BUTTON SWITCH

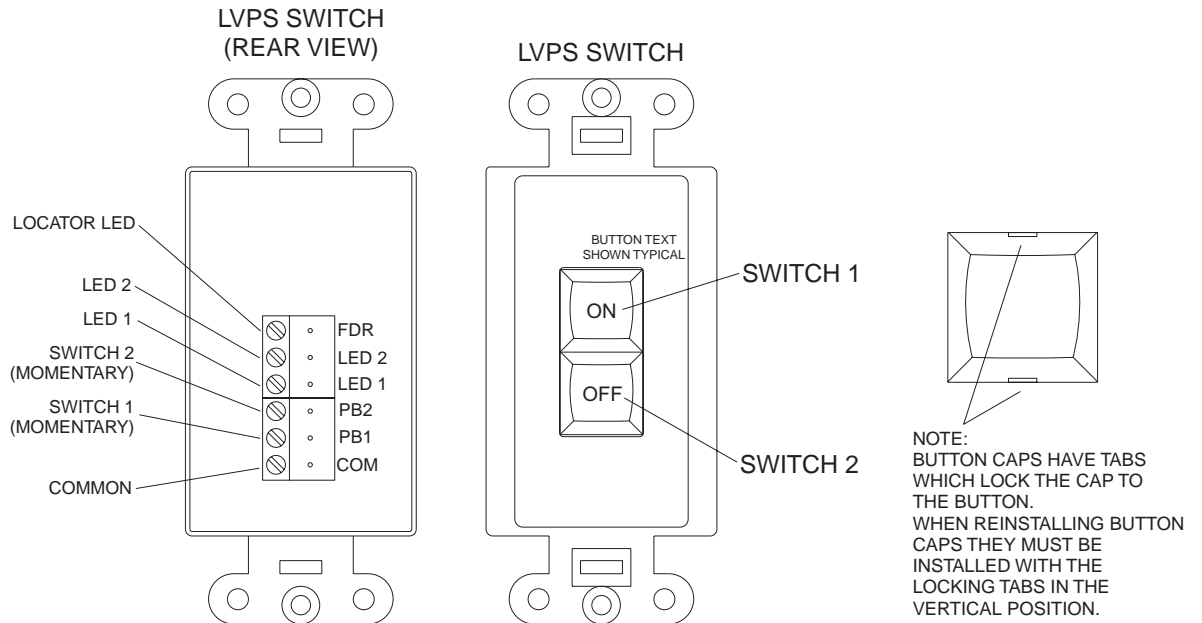


Figure 1 - LVPS Details

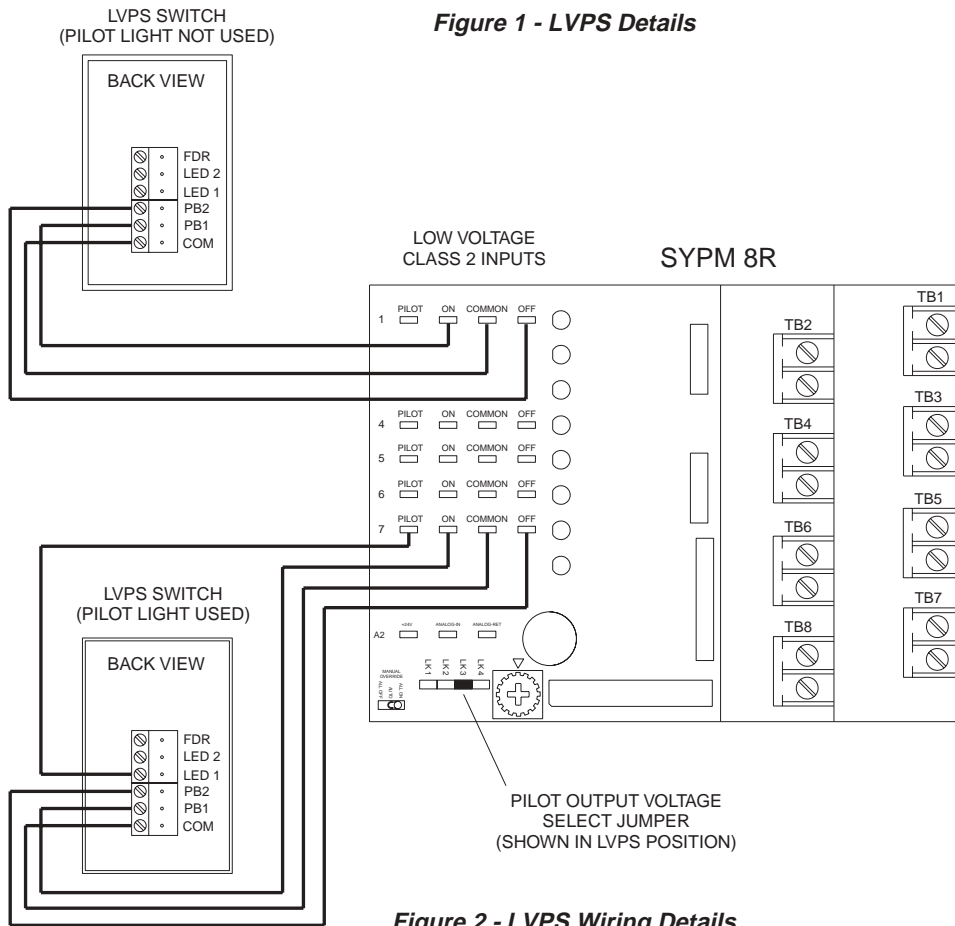


Figure 2 - LVPS Wiring Details