

Installation Instructions

Synergy Legacy Dimmer Card

**READ AND FOLLOW ALL SAFETY INSTRUCTIONS!
SAVE THESE INSTRUCTIONS AND DELIVER TO OWNER AFTER INSTALLATION**

IMPORTANT SAFETY INSTRUCTIONS

⚠ WARNING

To reduce the risk of death, injury or property damage from fire, electric shock, cuts, abrasions, falling parts, and other hazards:

- Service of the equipment must be performed by qualified service personnel.
- Installation and maintenance must be performed by a person familiar with the construction and operation of this product and any hazards involved. All applicable codes and ordinances must be followed.
- Read this document before installing, servicing, or maintaining this equipment. These instructions do not cover all installation, service, and maintenance situations. If your situation is not covered, or if you do not understand these instructions or additional information is required, contact *Synergy Lighting Controls*.

⚠ WARNING

Before installing, servicing, or maintaining this equipment, follow these general precautions.

To reduce the risk of electrocution:

- Make sure the equipment is properly grounded.
- Always de-energize any equipment before connecting to, disconnecting from, or servicing the equipment.

To reduce the risk of fire:

- Use supply conductors with a minimum installation temperature rating as specified.

To reduce the risk of personal injury from cuts, abrasions:

- Wear gloves to prevent cuts or abrasions from sharp edges when removing from carton, handling and maintaining this equipment.
- Do not install a damaged equipment.

Synergy Lighting Controls, a division of *Acuity Brands Inc.*, assumes no responsibility for claims arising out of improper or careless installation or handling of this product.

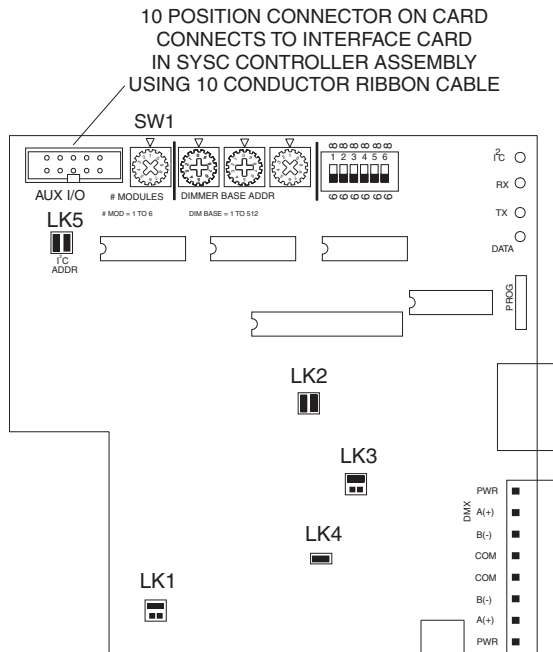
SAVE THESE INSTRUCTIONS

Installation Instructions

Synergy Legacy Dimmer Card

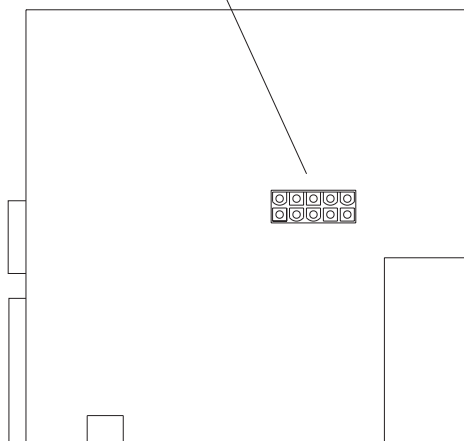
Overview

The legacy dimmer card allows Synergy controllers to control Synergy/Lithonia Sequel, Sequel MiniPac and Maxstar dimmers. A maximum of 254 legacy dimmer outputs may be controlled by one legacy dimmer card. A maximum of 4 legacy dimmer cards may be installed per Synergy controller.



Legacy Dimmer Card Front View

10 PIN MOLEX CONNECTOR CONNECTS DIRECTLY TO POWER SUPPLY WHEN CONTROLLER IS NOT INSTALLED (SYA SKIT)



Legacy Dimmer Card Rear View

Important Configuration Information (See Figure 1)

- SPECIFY CONTROLLER TYPE (LK2)**
 Make sure Jumper LK2 is not installed. (See Figure 1 for details)
 Note: MLX and MLS controllers must be operating with firmware version 2.61 or later.
 - SPECIFY CARD ADDRESS (LK5)**
 Each legacy dimmer card must have a unique card address if multiple cards (max of 4) are installed in the same controller. (See Figure 1 for details)
 - SELECT LEGACY DIMMER CARD BASE ADDRESS SETTING (SW 2,3,4)**
 Only Sequel dimming cabinets:
 Set the base address switches to 999.
 Only Maxstar dimming cabinets:
 Set the base address switches to match the address of the first (lowest #) dimmer card address. (0-253)
 Sequel and Maxstar dimming cabinets:
 Sequel dimmer cabinets must be the lowest address value(s) (0-15) when combined with maxstar dimmer cards. To obtain the correct base address for the legacy card, take the highest value Sequel address, add 1, then multiply by 16. This is the base address to set the legacy dimmer card at. **MAKE SURE** the maxstar dimmer card starting address is equal to this setting.

 Example:
 2 Sequel cabinets at addresses "1" and "2". Take 2, add 1, then multiply by 16.
 $2 + 1 = 3$ and $3 \times 16 = 48$
 So, 48 is the base address setting for the legacy card. The maxstar dimmer card starting address should be equal to the value determined above, and **CANNOT** be lower. This will apply most often in retrofit applications.
- SET THE CONFIGURATION JUMPERS (LK1, LK3 & LK4)**
 LK1: This jumper block determines whether 0, 12 or 24 VDC will be available at the "PWR" terminals.
 LK3: This jumper block determines dimmer "B2" network termination, and is based on its location in the network (middle or end).
 LK4: This jumper block grounds the shield of the dimmer network communication cable. Use if excessive network noise is present.

Installation Instructions

Synergy Legacy Dimmer Card

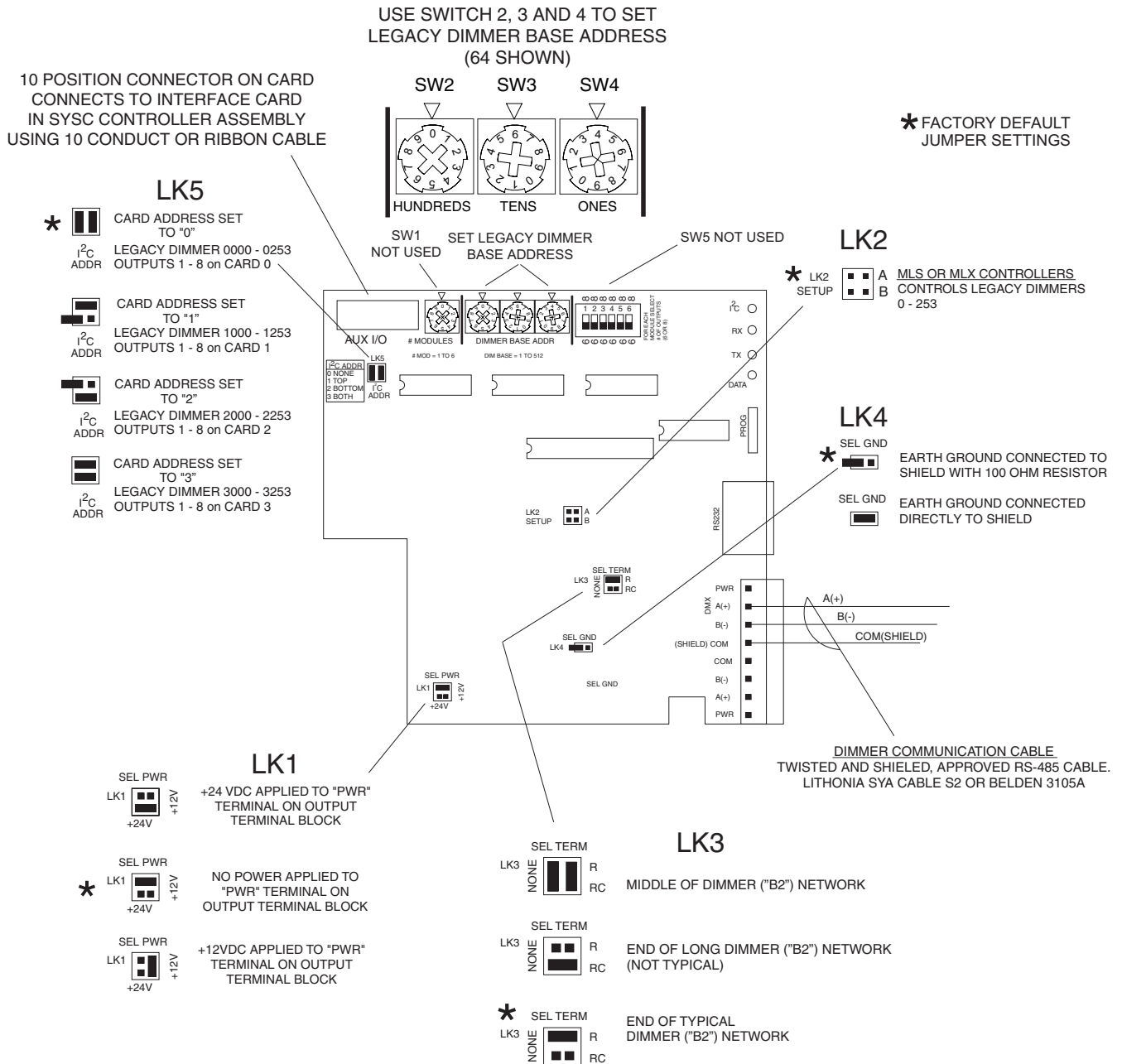


Figure 1 - Legacy Dimmer Card Jumper Settings

Installation Instructions

Synergy Legacy Dimmer Card

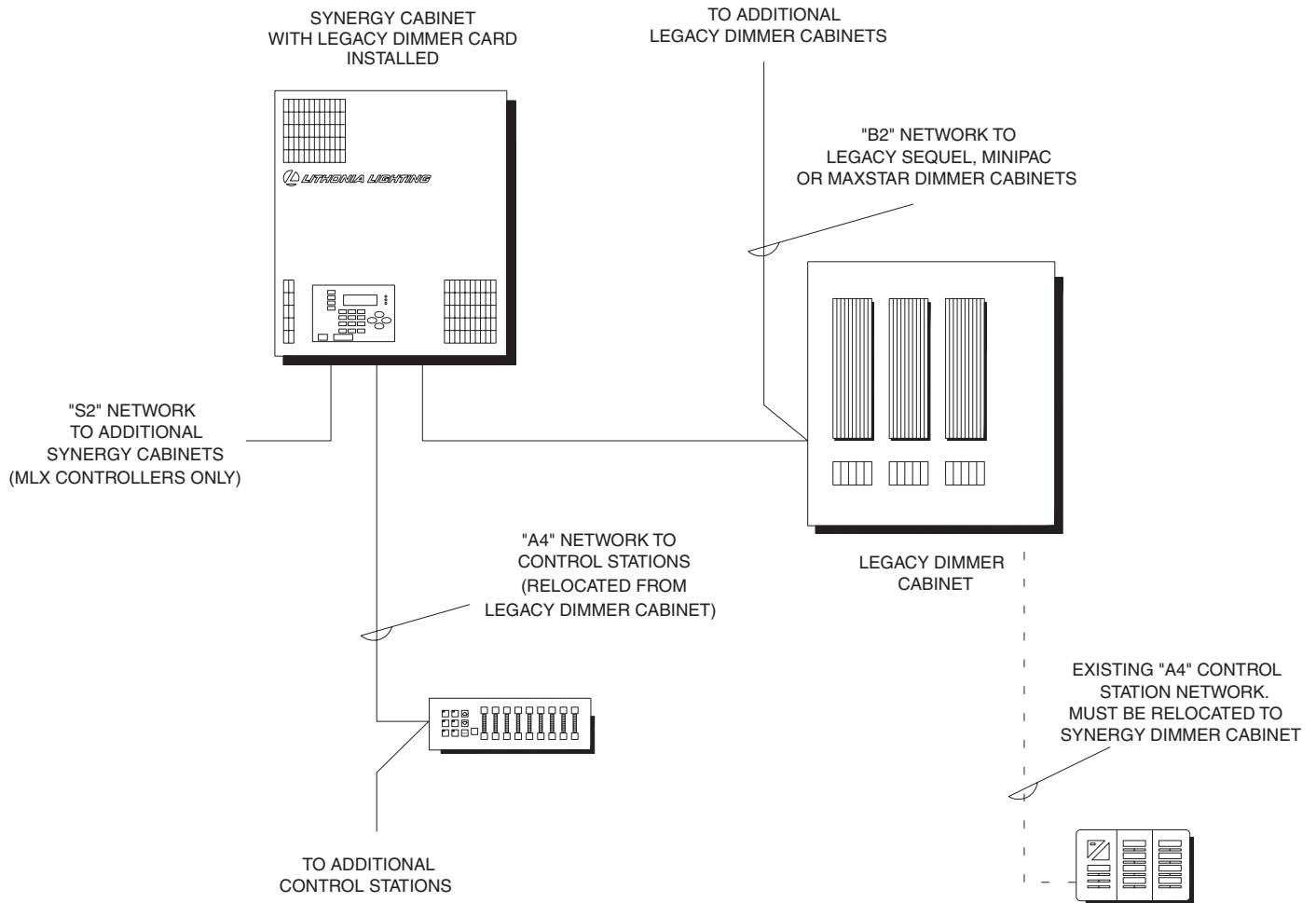


Figure 2 - Synergy & Legacy Cabinets One Line Diagram (Typical)