



| | |
|----------------|------|
| Catalog Number | |
| Notes | Type |

FEATURES & SPECIFICATIONS

INTENDED USE

The DEQ LC provides automatic switching and dimming control of fluorescent lighting when used in conjunction with compatible four wire dimming ballasts, remote relay packs, photocell and occupancy sensors. It is an ideal solution for energy management and daylight harvesting in stand-alone and networked applications. It may be connected to a Synergy system on a single A4 network cable for time clock, central monitoring and building automation features.

ATTRIBUTES

Provides system performance in a stand-alone product for automatic switch and dimming. Delivers seamless dimming control for daylight harvesting and local switching without homerun circuits to central control cabinet.

CONSTRUCTION

Components are rear mounted to a steel plate drilled and punched as a multi-purpose junction box cover. Function and address switches are front accessible through openings in the plate. An optional cover plate can be used to seal all penetrations for use in return air plenum applications.

ELECTRICAL

24 VDC operating power provided by LPCS power pack or Synergy panel via the A4 network connection. Wire pigtailed provided for connection to the 0-10 VDC dimming ballast control leads, LPCS relay pack, dimming photocell and occupancy sensor. Dimming output is compatible with Advance Mark VII, Magnetek Ballastar, Sylvania PHOdim/Helios and Lutron TVE series dimming ballasts. (See Fluorescent Dimming Guide).

FUNCTIONAL

Network Mode: Responds to ON/OFF, light level and set point signals provided from the Synergy system via the A4 network. PID Mode: Automatically dims lighting in response to photocell inputs to a user defined level. Programmable high-end trim sets maximum light level from lighting fixtures. Additionally, local switching can be initiated by a connected occupancy sensor.

INSTALLATION

Mounts flush to ceiling using the accessory white cover plate or in the plenum. Unit is designed to replace the standard box cover on a 2" deep, 4" or 4-11/16" junction box.

LISTING

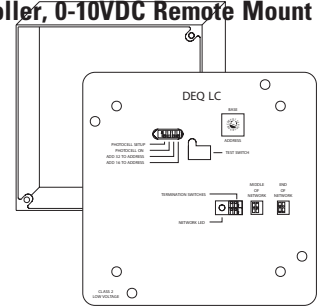
Class 2, low voltage device, LPCS is UL and C-UL listed.

WARRANTY

One-year total customer satisfaction warranty.

DEQ LC DEQ LCDS

Distributed Controller, 0-10VDC Remote Mount



Digital
EQUINOX

ORDERING INFORMATION

Example: **DEQ LC**

| | |
|---------------|--|
| DEQ LC | |
| Series | |

| | |
|-----------------|------------------------------|
| DEQ LC | Load controller |
| DEQ LCDS | Dual Switched LoadController |

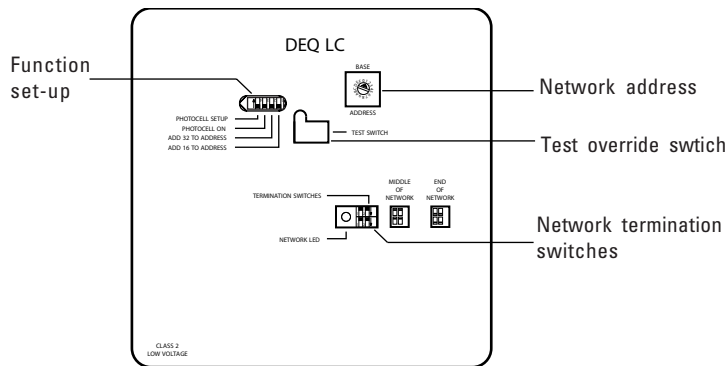
Accessories

Order as separate item.

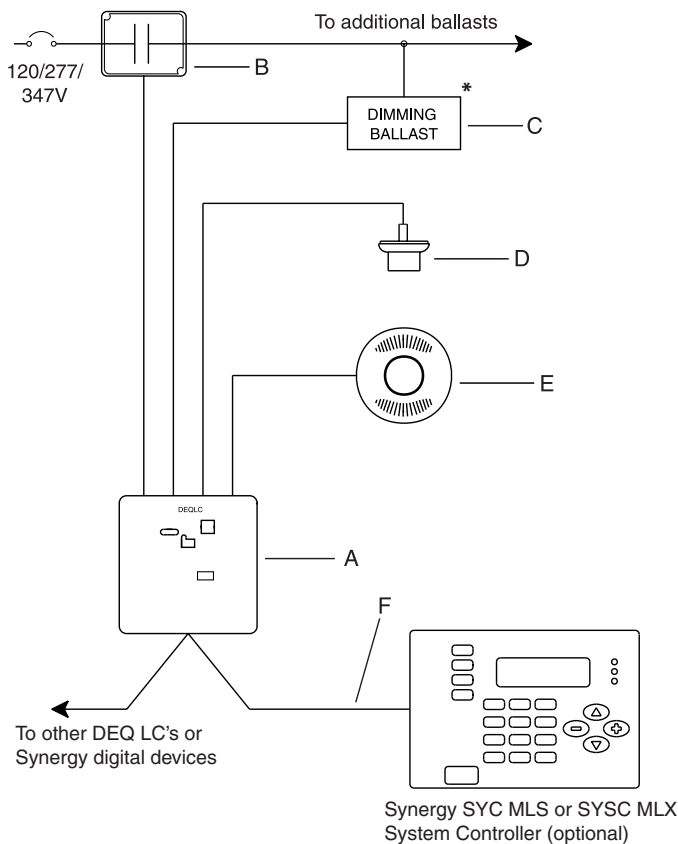
| | |
|-----------------------|------------------------------------|
| SYA CABLEA4 | Plenum rated network wire. |
| DEQ APS IN | Analog dimming photocell. |
| LMTO H | Multi-technology occupancy sensor. |
| LUSO H | Ultrasonic occupancy sensor. |
| LUS H | Ultrasonic occupancy sensor. |
| LIRO H | Infrared occupancy sensor. |
| LPCS (voltage) | Relay power pack. |

DEQ LC Distributed Controller, 0 -10VDC Remote Mount

FUNCTIONAL



TYPICAL APPLICATION (DEQ LC)



- A. DEQ LC Load Controller provides integral support for localized lighting control functions in response to signals from a local occupancy sensor, local photocell, and/or a Synergy system. When in PID mode (automatic daylight compensation), the fluorescent light level is automatically adjusted in response to a signal from the photocell. A programmable high-end trim sets the maximum light level from the fluorescent fixtures.
- B. LPCS power control station, integral relay for switching 120, 277, or 347 volt supply (model specific), integral 24 VDC power supply provides power to the DEQ LC in stand-alone operation.
- C. Four-wire fluorescent dimming ballast, 0 – 10 VDC control signal provided by the DEQ LC. (Not an DEQ LCDS model)
- D. DEQ APS analog photocell provides ambient light level information to the DEQ LC for PID daylighting operation.
- E. Occupancy sensor automatically turns ON lighting when occupant enters the room. Lighting is automatically switched OFF once motion is no longer detected and the current time delay setting expires. Compatible with Synergy Lighting Controls Litronic ceiling mount occupancy sensors.
- F. SYA CABLEA4 control station network wire, allows the DEQ LC to share status and control functions with other devices connected to the Synergy system, provides 24 VDC power to the DEQ LC when in networked configuration.

*For by level control, the DEQ LCDS model replaces the 0-10VDC signal with a second LPCS switched output.



An AcuityBrands Company

Synergy Lighting Controls
 1335 Industrial Blvd., Conyers, GA 30012
 Phone: 800-533-2719
 www.synergylightingcontrols.com