



Catalog Number	
Notes	Type

FEATURES

INTENDED USE

To provide smooth, full-range dimming of line-voltage incandescent fixtures. These dimmers are ideally suited for use with Lithonia Lighting incandescent downlights or any fixtures equipped with 120V incandescent lamps.

ATTRIBUTES

Fluid slide movement allows fine adjustment of light level over the entire dimming range. Separate ON/OFF preset switch permits switching the lighting without disturbing the light level setting. An integral LED indicator turns ON when the dimmer is OFF to facilitate location in a dark room. ISD series dimmers are compatible with the Decora® series of wallplates.

CONSTRUCTION

Strap mount device is designed to fit standard single or multi-gang switchboxes.

FINISH

Standard white or ivory finish devices are supplied with a single-gang Decora® style wallplate. Snap on color change kits are available allowing field color change of the device to gray, black, brown, almond, white or ivory. Color change kits include a matching single-gang Decora® wallplate.

ELECTRICAL

Uses standard single pole or three-way wiring. No neutral connection is required.

FUNCTIONAL

Integral push ON/push OFF switch allows lighting to be switched ON and OFF at the level currently set by the slider. Dimmers can be used with standard three-way and four-way switches for applications requiring control from multiple locations.

INSTALLATION

Wall mounts over standard single gang switchbox. Devices can be ganged into multi-gang assemblies by breaking off the scored aluminum tabs.

LISTING

UL and CSA listed.

WARRANTY

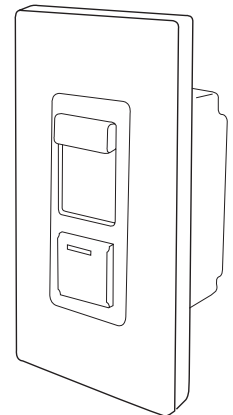
Two-year total customer satisfaction warranty.

®Decora is a registered trademark of Leviton.

Wallbox Dimmers

ISD I

INCANDESCENT DIMMER



Shown with optional DSA FP D1 WH screwless wallplate (order separately)

ORDERING INFORMATION

Example: **ISD 1000 I 120 IV**

Choose the boldface catalog nomenclature that best suits your needs and write it on the appropriate line. Order accessories as separate catalog number.

ISD		I	120	
Series	Capacity	Lamp type	Voltage	Color ¹
ISD	600 600 Watts 1000 1000 Watts	I Incandescent	120 120 Volts	IV Ivory WH White

NOTE:

- ISD dimmers are supplied with standard wallplates. Order optional IV ivory or WH white screwless designer wallplates to match dimmer.

Accessories

Order as separate item.

- ISD CCKIT** __ Color change kit, specify WH (White), IV (Ivory), GY (Gray), BR (Brown), BK (Black) or AL (Almond).
- DSA FP D#** __ Ivory screwless thermoplastic wallplate for ISD or Decora® compatible devices. Specify number of gangs (# =1 to 6) and color [WH (white), IV (ivory), GY (gray), BR (brown), BK (black) or AL (almond)].

ISD I Wallbox Dimmers, Incandescent Dimmer

SPECIFICATIONS

ELECTRICAL

- Input: 120 VAC @ 60Hz.
- Integral RFI noise suppression.
- Standard three-way operation.
- Maximum Loading is model specific. Deration required in multi-gang dimmer installations.
- Do not use this dimmer for fluorescent or incandescent fixtures with step down transformers.

DERATING TABLE

Device Catalog No.	Maximum Capacity		
	Single-Gang	Two-Gang	More than Two-Gang
ISD 1000 I 120	1000W	800W	700W
ISD 600 I 120	600W	500W	400W

MECHANICAL

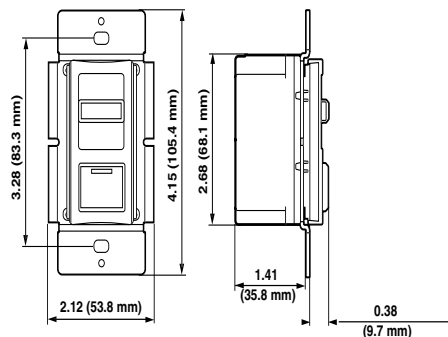
- Captured wrap around slide mechanism, 20mm total travel.
- Air-gap push ON/OFF preset switch.

ENVIRONMENTAL

- Operating range, 0 – 55° C, 20 – 90% relative humidity, non condensing.

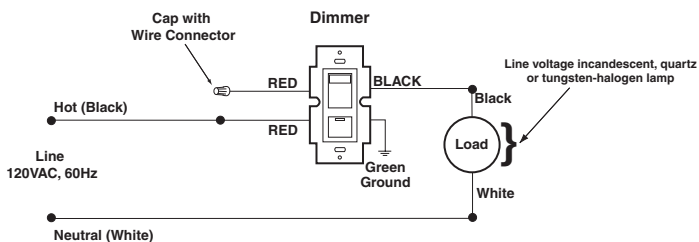
DIMENSIONS

All dimensions are inches (centimeters).

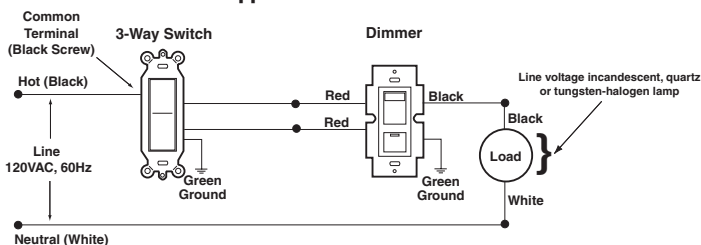


WIRING DIAGRAM(S)

Single Location Control Application



Two Location Control Application



Three Location Control Application

