

**INTENDED USE**

To provide smooth, full-range dimming of fluorescent fixtures equipped with the Advance Mark X dimming ballast. These dimmers are ideally suited for use with Lithonia fixtures supplied with the ADEZ dimming option.<sup>1</sup>

**ATTRIBUTES**

Fluid slide movement allows fine adjustment of light level over the entire dimming range. Separate ON/OFF preset switch permits switching the lighting without disturbing the light level setting. ISD Series dimmers are compatible with Decora® devices.

**CONSTRUCTION**

Strap-mount device is designed to fit standard single- or multi-gang switch boxes.

**FINISH**

Standard white, ivory, and light almond finishes are included (Wallplate is not included). Snap-on color change kits are available to allow field color change of the device to gray, black, brown, almond, white, red or ivory. Color change kits include a matching single-gang Decora® style wallplate.

**ELECTRICAL**

Uses standard single-pole or three-way wiring. No neutral connection is required.

**FUNCTIONAL**

Integral push ON/push OFF switch allows lighting to be switched ON and OFF at the level currently set by the slider. Dimmers can be used with standard three-way and four-way switches for applications requiring control from multiple locations.

**INSTALLATION**

Wall-mounts over standard single-gang switch box. Devices can be ganged into multi-gang assemblies by breaking off the scored aluminum tabs.

**LISTING**

UL and CSA listed. (NOM)

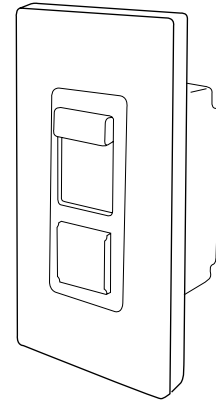
**Warranty**

3-year limited warranty. Complete warranty terms located at:  
[www.acuitybrands.com/CustomerResources/Terms\\_and\\_conditions.aspx](http://www.acuitybrands.com/CustomerResources/Terms_and_conditions.aspx)

**Note:** Actual performance may differ as a result of end-user environment and application. Specifications subject to change without notice.



## ISD ADEZ Fluorescent Dimmer



Shown with optional screwless wallplate  
(order separately)

**ORDERING INFORMATION**

Example: ISD 1000 ADEZ 120 IV						
Series	Capacity <sup>2</sup>		Lamp Type	Voltage		Color <sup>1</sup>
ISD	600	600 VA at 120 Volts	ADEZ Fluorescent (Advance Mark X Ballast)	120	120 Volts	IV Ivory
	1000	1000 VA at 120 Volts		277	277 Volts	WH White
	1200	1200 VA at 277 Volts				

Accessories: Order as a separate catalog number.

**Finish**

ISD CCKIT \_\_ Color change kit, specify WH (White), IV (Ivory), GY (Gray), BR (Brown), BK (Black), AL (Almond), or RD (Red).

**Notes:**

- Actual dimming range is determined by the ballast used. Consult the ballast manufacturer for specifications.
- 1200VA unit is not available at 120 volts. 600VA and 1000VA units are not available at 277 volts.

## SPECIFICATIONS

### ELECTRICAL

- Input: 120 VAC or 277 VAC, model specific @ 60Hz.
- Integral RFI noise suppression.
- Standard three-way operation.
- Maximum Loading is model specific.
- Deration required in 120 VAC multi-gang dimmer installations. (See Capacity and Derating tables.)
- No derating is required on 277 volt units. (See Capacity and Derating tables.)

### MECHANICAL

- Captured wrap around slide mechanism, 20 mm total travel.
- Air-gap push ON/OFF preset switch.

### ENVIRONMENTAL

- Operating range, 0 – 55°C, 20 – 90% relative humidity, non condensing.

### CAPACITIES AND DERATING

#### ISD 600 ADEZ 120 (120 Volt) Table

Advance Mark X™ Part No.	Lamp Type	Maximum Number Ballast/Dimmer		
		Single-Gang	Two-Gang	More than Two-Gang
REZ - 2Q26	PLC 26W	10	8	6
REZ - 132	T8/32W	16	14	11
REZ - 2S32	T8/32W	8	7	5
REZ - 3S32	T8/32W	5	4	3
REZ - IT32	PLT 32-26W	15	12	10
REZ - IT42	PLT 42W	12	10	8
REZ - 1TTS40	CF 40W	14	11	9
REZ - 2TTS40	CF 40W	7	6	5

#### ISD 1000 ADEZ 120 (120 Volt) Table

Advance Mark X™ Part No.	Lamp Type	Maximum Number Ballast/Dimmer		
		Single-Gang	Two-Gang	More than Two-Gang
REZ - 2Q26	PLC 26W	17	13	11
REZ - 132	T8/32W	27	22	19
REZ - 2S32	T8/32W	14	11	9
REZ - 3S32	T8/32W	9	7	6
REZ - IT32	PLT 32-26W	25	20	17
REZ - IT42	PLT 42W	20	16	14
REZ - 1TTS40	CF 40W	23	19	16
REZ - 2TTS40	CF 40W	12	9	8

#### ISD 1200 ADEZ 120 (120 Volt) Table

Advance Mark X™ Part No.	Lamp Type	Maximum Number Ballast/Dimmer		
		Single-Gang	Two-Gang	More than Two-Gang
VEZ - 2Q26	PLC 26W	20	20	6
VEZ - 132	T8/32W	33	33	11
VEZ - 2S32	T8/32W	17	17	5
VEZ - 3S32	T8/32W	11	11	3
VEZ - IT32	PLT 32-26W	30	30	10
VEZ - IT42	PLT 42W	24	24	8
VEZ - 1TTS40	CF 40W	28	28	9
VEZ - 2TTS40	CF 40W	14	14	5

#### NOTE:

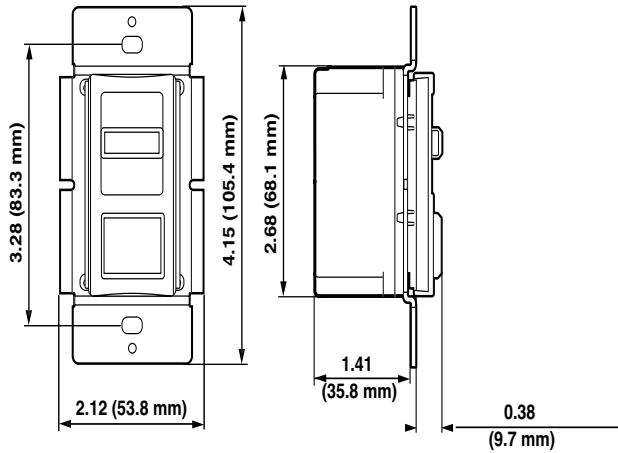
"Two-gang" and "More than Two-Gang" columns indicate dimmer capacity when more than one dimmer is installed under a single multi-gang faceplate.

"Two-gang" = two dimmers under a common faceplate

"More than Two-gang" = more than two dimmers under a common faceplate.

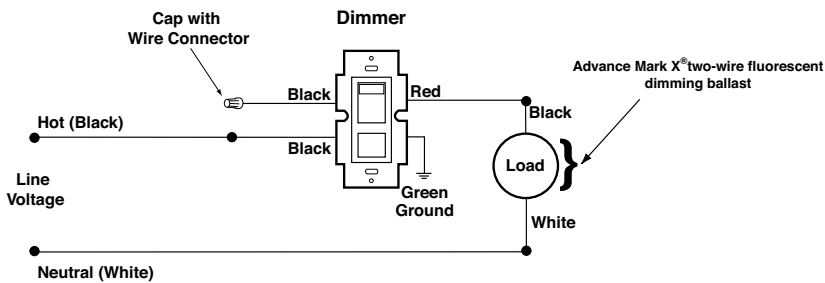
# DIMENSIONS

All dimensions are inches (millimeters).

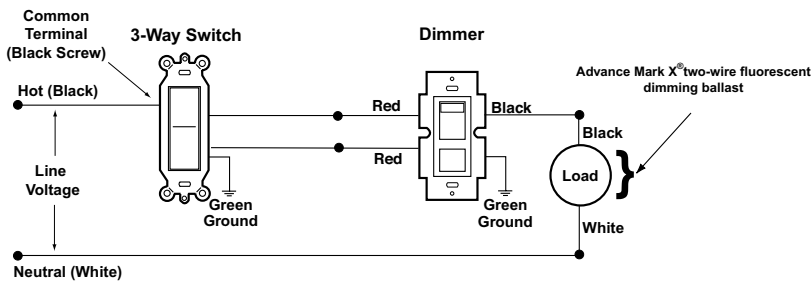


# WIRING DIAGRAMS

## Single Location Control Application



## Two Location Control Application



## Three Location Control Application

