

INTENDED USE

Suited for use with LTC Series Lithonia Lighting track fixtures with electronic transformers or other electronic low-voltage fixtures with transformers capable of being dimmed by reverse phase control dimmers.

ATTRIBUTES

Fluid slide movement allows fine adjustment of light level over the entire dimming range. Separate ON/OFF preset switch permits switching the lighting without disturbing the light level setting. An integral LED indicator turns ON when the dimmer is OFF to facilitate location in a dark room. ISD series dimmers are compatible with the Decora® series of wall plates.

CONSTRUCTION

Strap mount device is designed to fit standard single or multi-gang switchboxes.

FINISH

Standard white, ivory, and light almond finishes are included (Wallplate is not included). Snap on color change kits are available allowing field color change of the device to gray, black, brown, almond, white, red, or ivory. Color change kits DO include a matching single-gang Decora® wallplate.

ELECTRICAL

Uses standard single pole or three-way wiring.

FUNCTIONAL

Integral push ON/push OFF switch allows lighting to be switched ON and OFF at the level currently set by the slider. Dimmers can be used with standard three-way and four-way switches for applications requiring control from multiple locations.

INSTALLATION

Wall mounts over standard single gang switchbox. Devices can be ganged into multi-gang assemblies by breaking off the scored aluminum tabs.

LISTING

UL and CSA listed.

®Decora is a registered trademark of Leviton.

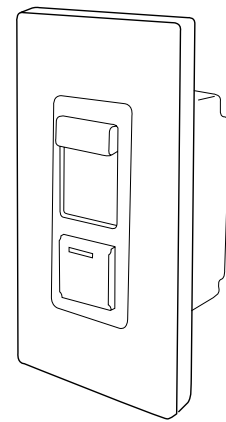
Warranty

3-year limited warranty. Complete warranty terms located at:
www.acuitybrands.com/CustomerResources/Terms_and_conditions.aspx

Note: Actual performance may differ as a result of end-user environment and application. Specifications subject to change without notice.



*ISD ELV
Electronic Low-Voltage
Dimmer*



Shown with optional screwless wallplate (order separately)

ORDERING INFORMATION

Example: ISD 400 ELV 120			
Series	Capacity	Lamp type	Voltage
ISD	400 400 VA at 120 Volts	ELV Electronic low voltage	120 120 Volts

Accessories: Order as a separate catalog number.	
Finish	
ISD CCKIT __	Color change kit, specify WH (White), IV (Ivory), GY (Gray), BR (Brown), BK (Black), AL (Almond), or RD (Red).

SPECIFICATIONS

ELECTRICAL

- Input: 120 VAC @ 60Hz.
- Integral RFI noise suppression.
- Standard three-way operation.
- Use with Electronic Low-Voltage Transformers ONLY. DO NOT use to control a magnetic low-voltage transformer. Use a Synergy magnetic low-voltage dimmer (ISD LV) to control magnetic low-voltage transformers.
- This unit is NOT compatible with magnetic transformers or other inductive loads. Damage to dimmer or transformer can occur if product is misapplied.
- Deration required for multi-gang dimmer installations.

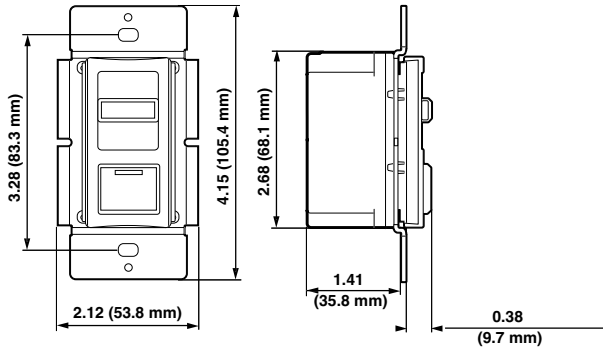
DERATING TABLE

Device Catalog No.	Maximum Capacity		
	Single-Gang	Two-Gang	More than Two-Gang
ISD 400 ELV 120	400 VA	325 VA	265 VA

NOTE: Includes typical transformer loss factors.

DIMENSIONS

All dimensions are inches (millimeters).



MECHANICAL

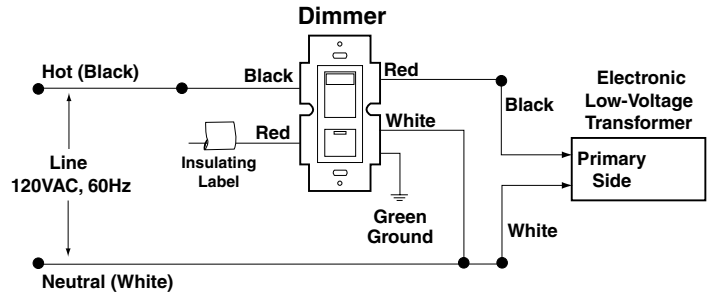
- Captured wrap around slide mechanism, 20mm total travel.
- Air-gap push ON/OFF preset switch.

ENVIRONMENTAL

- Operating range, 0 – 55°C, 20 – 90% relative humidity, non condensing.

WIRING DIAGRAMS

Single-Pole Wiring



3-Way Wiring

