



Catalog Number	
Notes	Type

## FEATURES & SPECIFICATIONS

The Litronic® LIRC is a wall-mount or ceiling-mount infrared occupancy sensor that provides effective coverage for automatic on/off lighting control in indoor applications. The sensor immediately switches the lights *on* when movement is detected. After the room is vacated for a preset length of time, the sensor will automatically switch the lights *off*.

### FEATURES

- Standard sensor (LIRC H) detects occupancy in open areas up to 2500 square feet at 8' mounting height with 110° aperture
- Hallway sensor (LIRC LR H) detects walking motion in 32'x100' open area at 10' mounting height
- Warehouse aisleway sensor (LIRC HB H) detects walking or forklift motion in 7'x55' area at 30' mounting height
- Neutral white housing color
- Swivel-mounting bracket included
- Passive Infrared Technology
- Photocell control
- Self-adjusting, self-calibrating
- Class 2 low voltage device
- 5-year warranty
- UL and CUL Listed

### CONSTRUCTION

- Injection-molded, high-impact plastic, neutral white color
- Integral swivel mount is adjustable

### OPERATION

- Self-adjusting sensitivity and timeout settings.
- Adjustable "lights off" timer from 30 seconds to 30 minutes.
- Integrated photocell can be used to prevent lights from being turned on when room is adequately lit by natural light.
- Learned and adjusted settings saved in non-volatile memory and are not lost during power outages.

### ELECTRICAL

Sensing head: Input 20mA at 24VDC. Class 2 low voltage device.

Detection method: passive infrared.

Use with LPCS Series power pack for stand-alone operation. Compatible with SIMPLY5™ S5SC sensor connector, digital equinox station, SYNERGY® power module or SWITCHPAK® relay panel. LPCS may not be required when using occupancy sensor with above products.

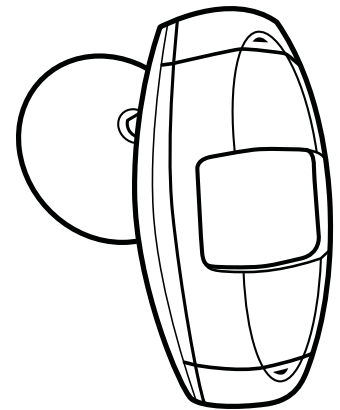
### MOUNTING

Hardware supplied for dry wall, ceiling tile or backbox mounting.

## Specification-Grade Occupancy Sensors

# LIRC

### INFRARED SENSING HEAD



**LITRONIC®**

## ORDERING INFORMATION

Example: **LIRC LR H**

<b>LIRC</b>		<b>H</b>	
Series	Coverage	Sensing head	
LIRC	(blank) Standard LR Long-range lens HB "High bay" lens	H Sensing head	

### Accessories

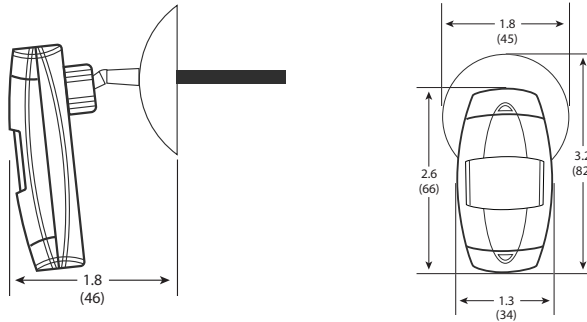
Order as separate item

- LPCS MVOLT** Power control station, 120 or 277 volts. Includes 20 amp relays and provides 24 VDC to operate sensing head.
- LPCS 347** Power control station, 347 volts. Includes 15amp/347 volt rated relay and provides 24 VDC to operate sensing head and isolated Dry Contact Output for HVAC and other signaling.
- LPCS MVOLT DCO** Power control station, 120 or 277 volts. Includes 20amp relay, provides 24 VDC to operate sensing head and isolated Dry Contact Output for HVAC and other signaling.
- LAR MVOLT** Auxiliary Relay, 120 to 277 volt secondary 15 amp switching output, powered by LPCS.

# LIRC Infrared Sensing Head

## DIMENSIONS

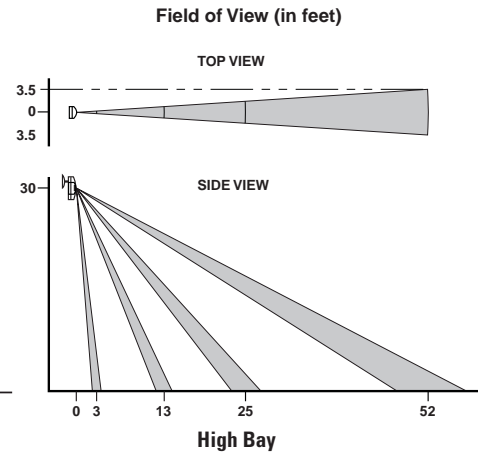
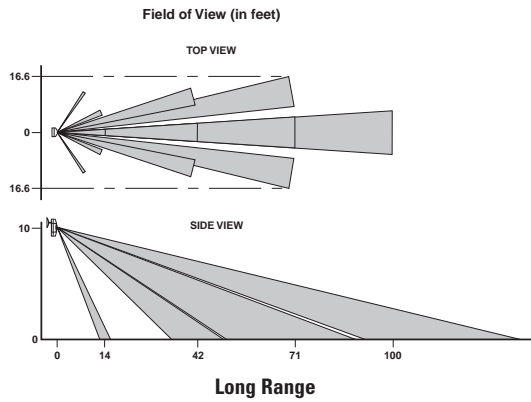
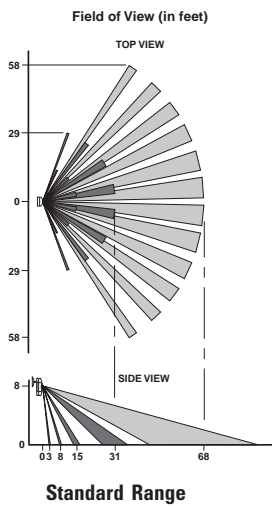
All dimensions are inches (millimeters).



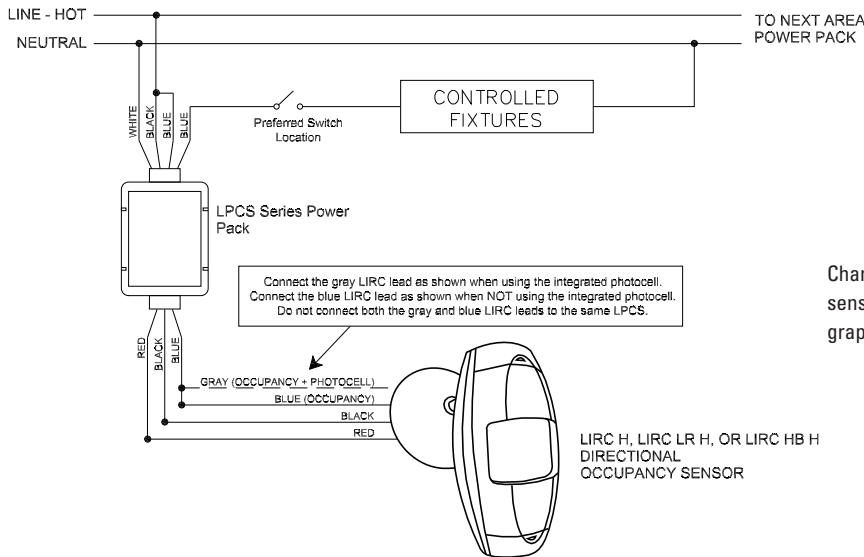
## COVERAGE PATTERNS

Coverage patterns shown are for unobstructed space. The LIRC is a line-of-sight device. Obstructions such as furniture or partitions will restrict the coverage area.

NOTE: Coverages shown are maximum coverages and represent half-step motion.



## WIRING DIAGRAM



Change wiring diagram on the back to show two sensors and one LPCS powerpack. The existing graphics can be reduced to fit the additional details.

Note: Synergy Lighting Controls recommends that only rapid-start fluorescent ballasts be used with occupancy sensors.



An AcuityBrands Company

SEN - 120

©2000 Acuity Brands Lighting, Inc., Rev. 03/08

**Synergy Lighting Controls**

1335 Industrial Blvd, Conyers, GA 30012

Phone: 800-533-2719

www.synergylightingcontrols.com