



Catalog Number	
Notes	Type

FEATURES & SPECIFICATIONS

The Litronic LIRO series is an omni-directional ceiling-mount occupancy sensor employing passive infrared sensing technology to provide effective coverage for automatic on/off lighting control in indoor applications. The sensor works in conjunction with the LPCS power pack. The sensor immediately switches the lights *on* when movement is detected. After the room is vacated for a preset length of time, the sensor will automatically switch the lights *off*.

FEATURES

- Detects occupancy in areas up to 1500 square feet
- Passive infrared sensing technology
- Immune to air currents and fans
- LED motion indicator.
- Photocell control
- Masking kit supplied
- 360 degree coverage
- Simple mounting to box or ceiling tile
- Automatic sensitivity adjustment
- Automatic time-out adjustment
- Class 2 low-voltage device
- Five-year warranty
- UL and CUL listed

CONSTRUCTION

- Ceiling mounting via threaded stem
- Injection-molded housing, neutral white color

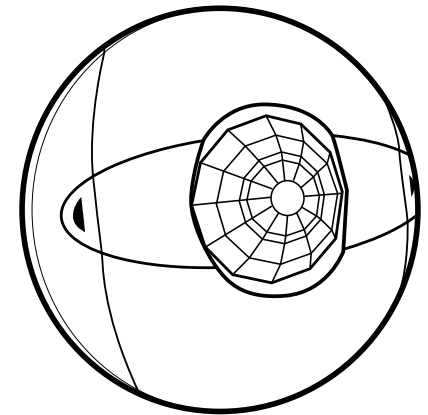
OPERATION

- 1500 square foot coverage
- 30 seconds to 30 minute timer settings, six-second test mode
- Accessible timer and sensitivity adjustment controls
- Self-adjusting circuitry compensates for installation and usage patterns by adjusting timer and sensitivity settings when in automatic mode
- Sensor uses a small semiconductor heat detector that resides behind a multi-zone optical lens. This Fresnel lens establishes dozens of zones of detection. The sensor is sensitive to the heat emitted by the human body. In order to trigger the sensor, the source of heat must move from one zone of sensing to another.

Specification-Grade Occupancy Sensors

LIRO

INFRARED SENSING HEAD



LITRONIC®

ELECTRICAL

Sensor head: Input 20mA at 24VDC. Class 2 low-voltage device.

Detection method: passive infrared.

Use with LPCS Series power pack for stand-alone operation. Compatible with SIMPLY5™ S5SC sensor connector, digital equinox station, SYNERGY® power module or SWITCHPAK® relay panel. LPCS may not be required when using occupancy sensor with above products.

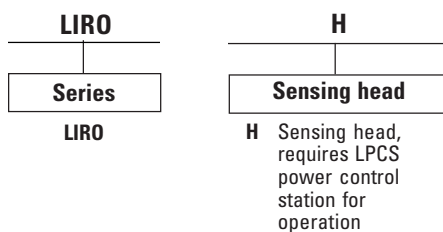
MOUNTING

Hardware supplied for acoustic tile or drywall mounting.

Optionally mounts to a 4" x 1-1/2" octagon box or wire mold round fixture box.

ORDERING INFORMATION

Example: **LIRO H**



Accessories

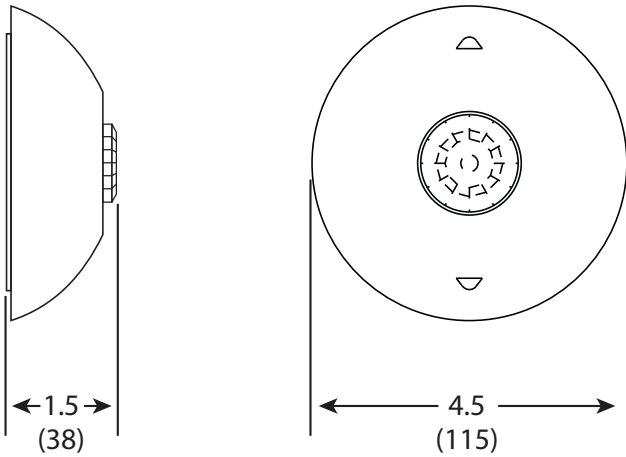
Order as separate item

LPCS MVOLT	Power control station, 120, 220 or 277 volts as required for operation of sensing head. See spec sheet LPCS.
LPCS 347	Power control station for 347 volts.

LIRO Infrared Sensing Head

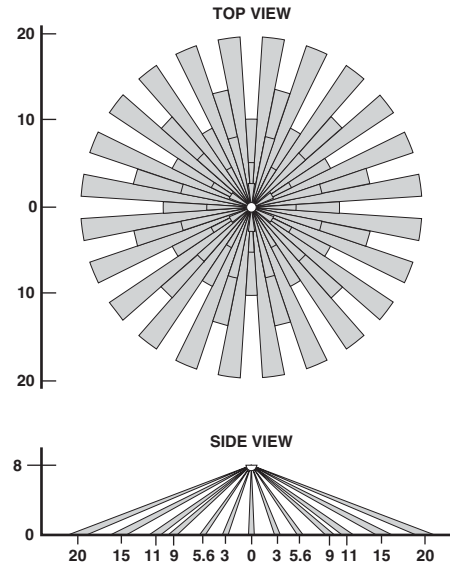
DIMENSIONS

All dimensions are inches (millimeters). Subject to change without notice.

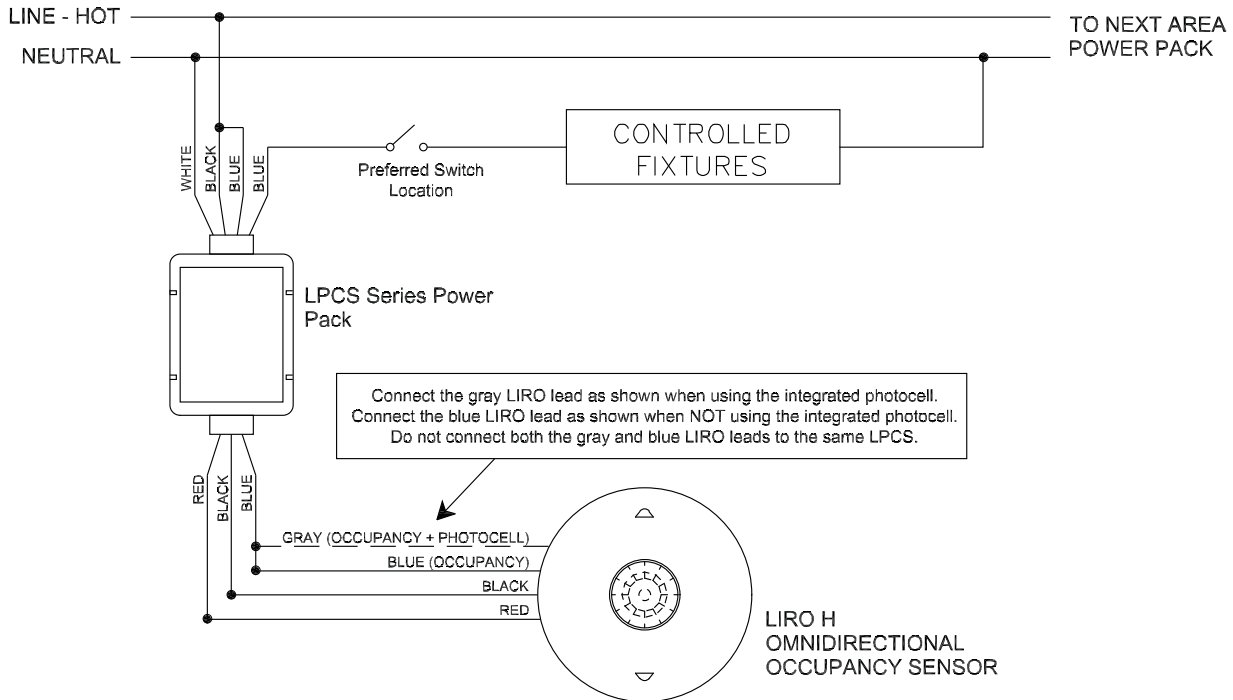


COVERAGE PATTERNS

All dimensions are in feet (meters).



WIRING DIAGRAM



Note: Synergy Lighting Controls recommends that only rapid start or program start fluorescent ballasts be use with occupancy sensors.



An AcuityBrands Company