



Catalog Number	
Notes	Type

FEATURES & SPECIFICATIONS

INTENDED USE

The Lutron LIRW DS provides automatic occupancy based lighting control of two separate lighting loads in a variety of applications. The LIRW DS is ideal for use in smaller areas such as private offices, classrooms, and conference rooms where high/low, inboard/outboard, or two-zone switching control is desired.

ATTRIBUTES

Unit is compatible with most fixture and lamp types including fluorescent, incandescent, and low voltage incandescent loads. The primary relay opens and closes at zero cross to extend contact life and minimize the effects of high inrush loads.

FINISH

Standard white or ivory thermoplastic housing. Supplied with standard Decora® style wallplate. The optional DSA FP screwless designer wallplate is available as an accessory.

ELECTRICAL

Dual voltage, compatible with 120 or 277 volts. No minimum load requirement.

FUNCTIONAL

Detects movement over a 2100 square foot area with a 180° coverage pattern. Front mounted override switches permit independent ON / OFF override or manual ON / automatic OFF operation for each load. LED indicates when motion is detected. Integral photocell can be set to restrict ON operation when sufficient ambient light is present. Photocell calibration and sensor timeout may be set to adjust automatically based on occupant usage.

INSTALLATION

Strap mount device mounts to standard single-gang switch box. Can be ganged with other Decora® style devices.

LISTING

UL Listed. CSA Certified. NOM Certified. California Title 24 compliant.

WARRANTY

Five-year total customer satisfaction warranty.

Decora® is a registered trademark of Leviton.

ORDERING INFORMATION

Choose the boldface catalog nomenclature that best suits your needs and write it on the appropriate line. Order accessories as separate catalog number.

LIRW	DS	MVOLT	
Series	Sensor	Voltage	Color
LIRW	DS Dual switch sensor	MVOLT	WH White IV Ivory

Accessories

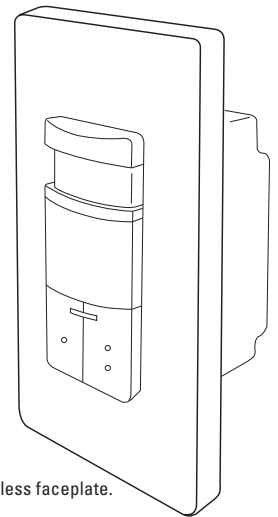
Order as separate item.

DSA FP D# IV	Ivory screwless faceplate for LIRW or Decora® compatible devices. Specify number of gangs from one to six devices.
DSA FP D# WH	White screwless faceplate for LIRW or Decora® compatible devices. Specify number of gangs from one to six devices.

Specification-Grade Occupancy Sensors

LIRW DS

INFRARED DUAL SWITCH WALL-MOUNT SENSOR



Shown with optional DSA FP DI WH screwless faceplate.

LITRONIC®

Example: **LIRW DS MVOLT WH**

LIRW DS Infrared Dual Relay Wall-Mount Sensor, Litronic

SPECIFICATIONS

ELECTRICAL

Compatible with 120V and 277V single-phase 60Hz incandescent and fluorescent loads with magnetic or electronic ballasts.

Ground connection required for proper operation.

Ratings:

Primary Relay:

Fluorescent: 1200VA 120V; 2700VA 277V

Incandescent: 800W 120V

Secondary Relay (isolated contacts):

Fluorescent: 800VA 120V; 1200VA 277V

Incandescent: 800W 120V

FUNCTIONAL

Range: 2100 square feet (195 m²), continuously adjustable from 36% to 100% of this area. Internal sliding blinders are provided to mask out unwanted peripheral motion.

Self-Adjusting Lights Off Timer: Automatically adjusts to occupancy patterns and helps to prevent unnecessary ON/OFF switching and manual adjustment. Timer may also be manually adjusted from 30 seconds to 20 minutes.

Self-Adjusting Photocell: Automatically adjusts ambient light override of one or both zones within range of 2 to 500 foot-candles. The photocell may also be manually adjusted or disabled.

Warn-Before-OFF Feature: Beeps 3 times after the Lights Off timer expires, then waits an additional 10 seconds before turning lights off if no motion is detected.

Walk-Through Feature: Turns off lights after 2 ½ minutes if no motion is detected after a brief occupancy. May be disabled if desired.

Operational Modes: The LIRW DR incorporates two basic operational configurations which allow it to be quickly set up for most commercial applications. Additional adjustments are provided which allow the sensor to be configured to satisfy a wide variety of specialized installation requirements. All adjustment controls are accessible from the front of the unit and protected by a tamper-resistant cover.

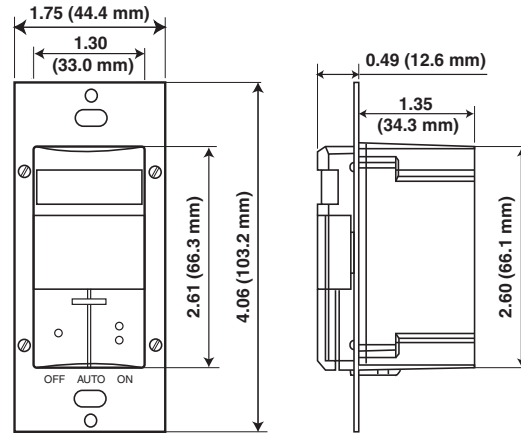
ENVIRONMENTAL

Operating temperature range 32°– 122°F (0° – 50° C). Storage temperature range 14°– 185°F (-10°– 85°C). Humidity 10% – 90% non-condensing.

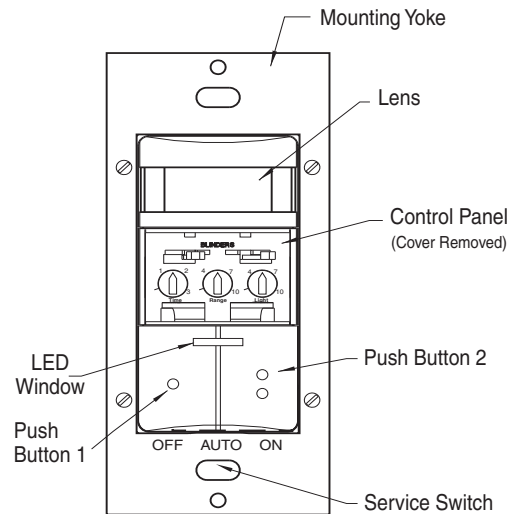
COVERAGE PATTERNS

The LIRW coverage pattern provides a 180° coverage area with a maximum coverage area of approximately 2100 square feet. The maximum sensing distance in front of the sensor is 40 feet, and 30 feet at each side. A "small-motion" zone detects relatively small body movements and allows the lights to stay ON even though a person may not be moving or walking around the room. The remainder of the field of view, the "large-motion" zone, exhibits a lesser sensitivity and requires larger movements.

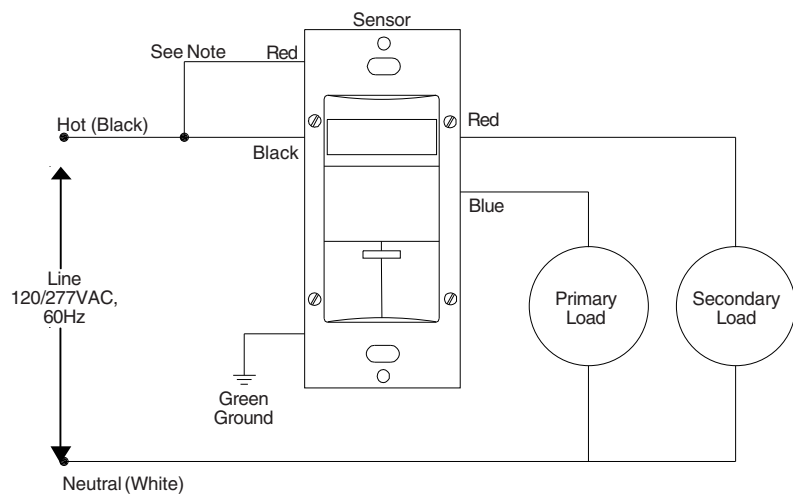
DIMENSIONS



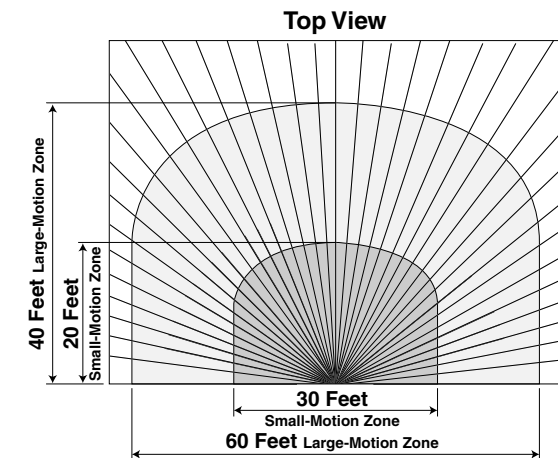
FUNCTIONAL



WIRING DIAGRAM



NOTE: Secondary load may be fed from a separate circuit.



An AcuityBrands Company

Sheet #: LIRW DS

©1995 Acuity Brands Lighting, Inc., Rev. 6/06

Synergy Lighting Controls

1335 Industrial Blvd, Conyers, GA 30012

Phone: 800-533-2719

www.synergylightingcontrols.com