



Catalog Number	
Notes	Type

FEATURES & SPECIFICATIONS

INTENDED USE

- The Lutron LIRW Night provides automatic occupancy based lighting control with an LED nightlight in a variety of applications. The LIRW NIGHT is ideal for smaller areas such as private offices where occupants regularly leave the room for extended periods of time during normal work hours and would like a night light to guide them to the occupancy sensor.

FEATURES

- Auto-ON/Auto-OFF or Manual-ON/Auto-OFF selectable operation
- Convenient push-button provides manual ON/OFF light switching at any time
- LED Night Light offers "Guide Light" functionality
- Adjustable Night Light illumination
- Setting for continuous or dimmed night light
- Proprietary segmented Fresnel lens provides optimum sensitivity and performance. Designed with an extensive "small motion" area where even the slight body movements will be detected
- Horizontal field-of-view may be adjusted between 180 and 32° of arc by using internal blinders located on either side of the lens
- Relay switches at the zero-crossing point of the AC power curve to ensure maximum contact life and compatibility with electronic ballasts

FINISH

Standard white or ivory thermoplastic housing. Supplied with standard Decora® style wallplate. Optional screwless designer styled wallplate is available as an accessory.

ELECTRICAL

Dual voltage, compatible with either 120 or 277 volts. No minimum load requirement.

FUNCTIONAL

Detects movement over a 1200 square foot area with 180° coverage pattern. Front mounted override switch permits *OFF* override of automatic operation or manual *ON*/automatic *OFF* operation. LED indicates when motion is detected. Integral photocell can be set to restrict *ON* operation when sufficient ambient light is present. Integral Photocell also dims LED for night light during daytime with no motion.

INSTALLATION

Strap mount device mounts to standard single-gang switch box. Can be ganged with other Decora® style devices. **Ground and neutral connection required.**

LISTING

UL Listed. CSA Certified. NOM Certified. California Title 24 certified.

WARRANTY

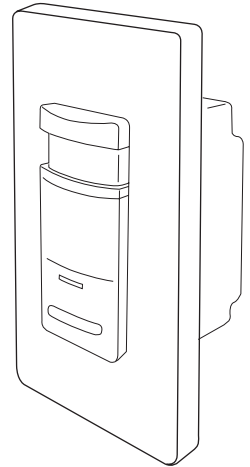
Five-year limited warranty.

®Decora is a registered trademark of Leviton.

Specification-Grade Occupancy Sensors

LIRW NIGHT

INFRARED WALL-MOUNT SENSOR WITH LED NIGHT LIGHT



Shown with optional DSA FP DI WH screwless faceplate.

LITRONIC®

Example: LIRW NIGHT MVOLT WH

ORDERING INFORMATION

Choose the boldface catalog nomenclature that best suits your needs and write it on the appropriate line. Order accessories as separate catalog number.

LIRW	NIGHT MVOLT	
Series	Voltage	Color
LIRW	NIGHT MVOLT	WH White IV Ivory

Accessories:

Order as separate item.

DSA FP D# IV Ivory screwless faceplate for LIRW or Decora® compatible devices. Specify number of gangs from one to six devices.

DSA FP D# WH White screwless faceplate for LIRW or Decora® compatible devices. Specify number of gangs from one to six devices.

LIRW NIGHT Infrared Wall-Mount Sensor, Litronic

SPECIFICATIONS

ELECTRICAL

Compatible with incandescent and fluorescent loads with magnetic or electronic ballasts: 120 volts, zero to 800 watts maximum incandescent; 120 volts, zero to 1200 watts maximum ballast (high power factor); 277 volts, zero to 2700 watts maximum, all loads.

FUNCTIONAL

Range: 1200 square foot continuously adjustable from minimum to maximum, 180° field of view. Internal blinders are provided to mask out unwanted peripheral motion.

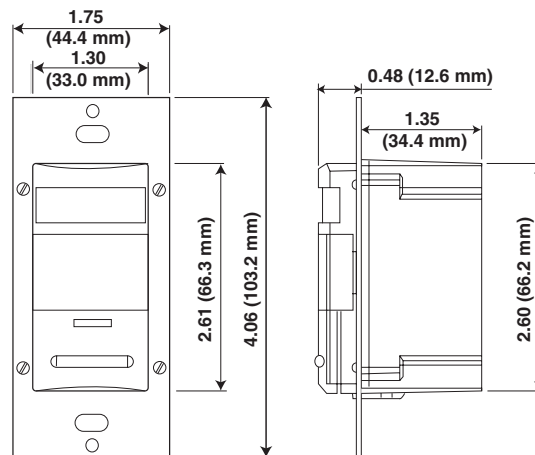
Lights Off Timer: adjustable from 30 seconds to 30 minutes.

Photocell: overrides automatic operation, adjustable for 2 to 500 footcandles threshold, can be disabled.

ENVIRONMENTAL

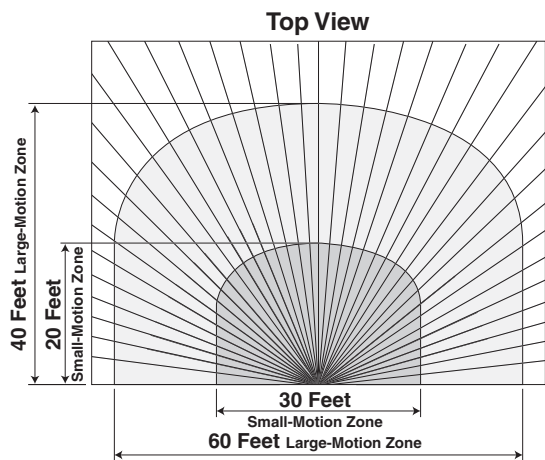
Optimum temperature range 32° – 122° F (0° – 50° C). Storage temperature range 14° – 185° F (-10° – 85° C). Humidity 10% – 90% non-condensing.

DIMENSIONS

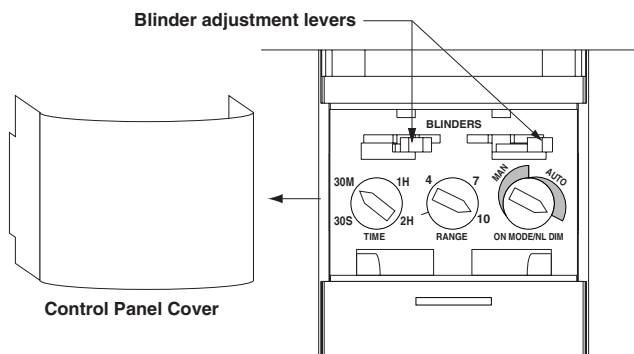


COVERAGE PATTERNS

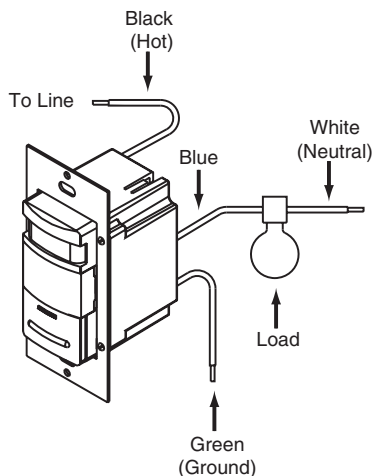
The LIRW MVOLT NIGHT coverage pattern provides a 180° coverage area with a maximum coverage area of approximately 1200 square feet. The maximum sensing distance in front of the sensor is 40 feet, and 30 feet at each side. A "small-motion" zone detects relatively small body movements and allows the lights to stay ON even though a person may not be moving or walking around the room. The remainder of the field of view, the "large-motion" zone, exhibits a lesser sensitivity and requires larger movements.



FUNCTIONAL



WIRING DIAGRAM



An Acuity Brands Company