



FEATURES & SPECIFICATIONS

INTENDED USE

The Litronic LIRW provides automatic occupancy based lighting control in a variety of applications. The LIRW is ideal for smaller areas such as private offices where occupants regularly leave the room for extended periods of time during normal work hours.

ATTRIBUTES

Unit is compatible with most lamp types including magnetic and electronic fluorescent ballasts, high power factor compact fluorescent and incandescent loads. A special zero cross switching circuit eliminates problems associated with high inrush currents.

FINISH

Standard white or ivory thermoplastic housing. Supplied with standard Decora® style wallplate. Optional screwless designer styled wallplate is available as an accessory.

ELECTRICAL

Dual voltage, compatible with either 120 or 277 volts. No minimum load requirement.

FUNCTIONAL

Detects movement over a 2000 square foot area with 180° coverage pattern. Front mounted override switch permits *OFF* override of automatic operation or manual *ON*/automatic *OFF* operation. LED indicates when motion is detected. Integral photocell can be set to restrict *ON* operation when sufficient ambient light is present.

INSTALLATION

Strap mount device mounts to standard single-gang switch box. Can be ganged with other Decora® style devices.

LISTING

UL Listed. CSA Certified. NOM Certified. California Title 24 certified.

WARRANTY

Five-year total customer satisfaction warranty.

®Decora is a registered trademark of Leviton.

ORDERING INFORMATION

Choose the boldface catalog nomenclature that best suits your needs and write it on the appropriate line. Order accessories as separate catalog number.

LIRW	MVOLT	
Series	Voltage	Color
LIRW	MVOLT 120-277 VAC 347 347VAC	WH White IV Ivory

Accessories

Order as separate item.

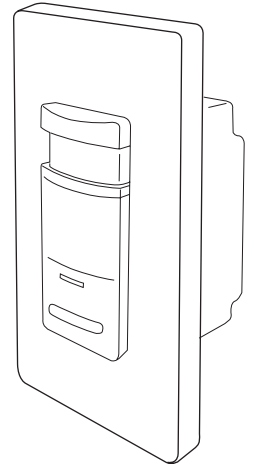
DSA FP D# IV	Ivory screwless faceplate for LIRW or Decora® compatible devices. Specify number of gangs from one to six devices.
DSA FP D# WH	White screwless faceplate for LIRW or Decora® compatible devices. Specify number of gangs from one to six devices.

Catalog Number	
Notes	Type

Specification-Grade Occupancy Sensors

LIRW

INFRARED WALL-MOUNT SENSOR



Shown with optional DSA FP DI WH screwless faceplate.

LITRONIC®

Example: **LIRW MVOLT WH**

LIRW Infrared Wall-Mount Sensor, Litronic

SPECIFICATIONS

ELECTRICAL

Compatible with incandescent and fluorescent loads with magnetic or electronic ballasts: 120 volts, zero to 800 watts maximum incandescent; 120 volts, zero to 1200 watts maximum ballast (high power factor); 277 volts, zero to 2700 watts maximum, all loads. 10AMPS at 347VAC on LIRW 347

FUNCTIONAL

Range: 2000 square foot (200 m²), continuously adjustable from minimum to maximum, 180° field of view. Internal blinders are provided to mask out unwanted peripheral motion.

Lights Off Timer: Adjustable from 30 seconds to 30 minutes.

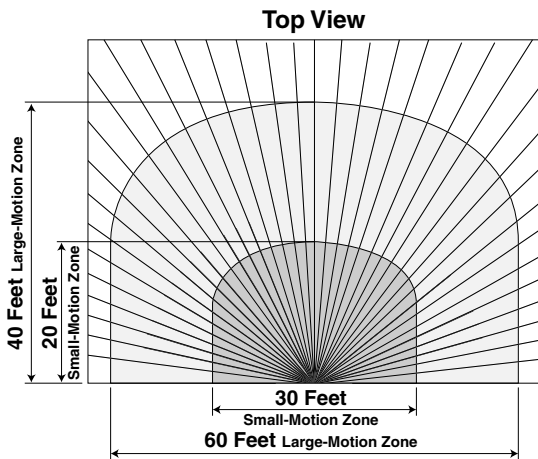
Photocell: Overrides automatic operation, adjustable for 2 to 500 foot-candles threshold, can be disabled.

ENVIRONMENTAL

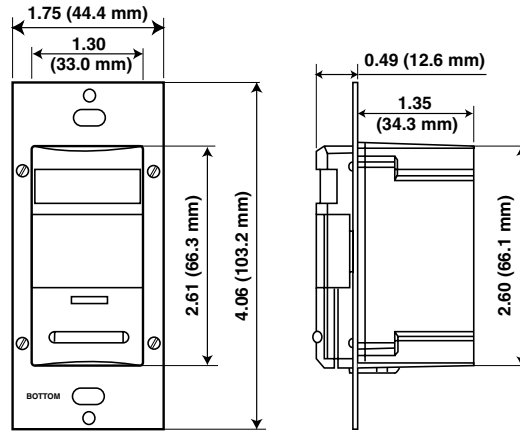
Optimum temperature range 32° – 122° F (0° – 50° C). Storage temperature range 14° – 185° F (-10° – 85° C). Humidity 10% – 90% non-condensing.

COVERAGE PATTERNS

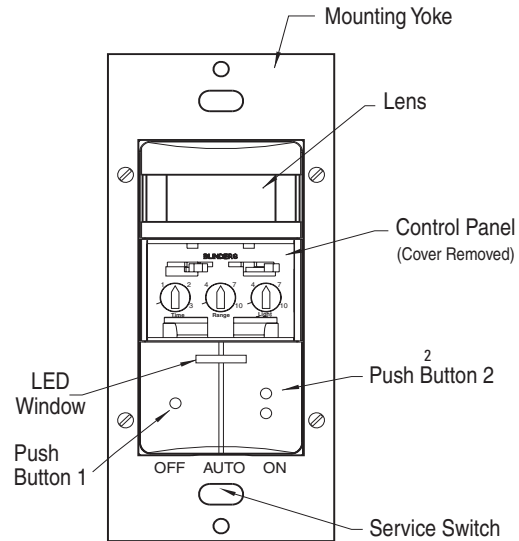
The LIRW coverage pattern provides a 180° coverage area with a maximum coverage area of approximately 2000 square feet. The maximum sensing distance in front of the sensor is 40 feet, and 30 feet at each side. A "small-motion" zone detects relatively small body movements and allows the lights to stay ON even though a person may not be moving or walking around the room. The remainder of the field of view, the "large-motion" zone, exhibits a lesser sensitivity and requires larger movements.



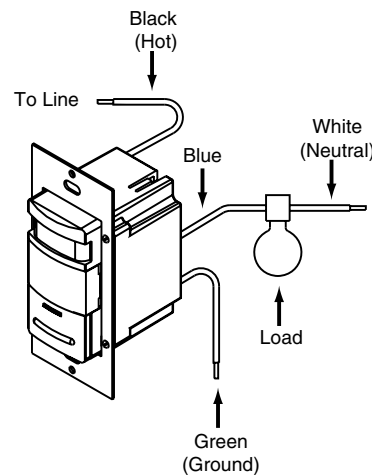
DIMENSIONS



FUNCTIONAL



WIRING DIAGRAM



An AcuityBrands Company