



Catalog Number	
Notes	Type

FEATURES & SPECIFICATIONS

The Litronic LMT series is a ceiling-mount or wall-mount occupancy sensor employing both infrared and ultrasonic sensing technologies to provide effective coverage for automatic on/off lighting control in indoor applications. The sensor immediately switches the lights *on* when movement is detected. After the room is vacated for a preset length of time, the sensor will automatically switch the lights *off*.

FEATURES

- Detects occupancy in areas up to 1200 square feet (111m²)
- Infrared and ultrasonic technologies
- 32 kilohertz operation
- Maximum immunity to false triggering
- Dual LED motion indicators
- Photocell control
- Provides small motion sensitivity and error immunity
- 110° coverage
- Aim and lock mounting bracket
- Automatic sensitivity adjustment
- Automatic time-out adjustment
- Class 2 low-voltage device
- Five-year warranty
- UL and CUL listed

CONSTRUCTION

- Corner, wall or ceiling mounting via integral aim and lock mounting bracket
- Injection-molded housing, neutral white color

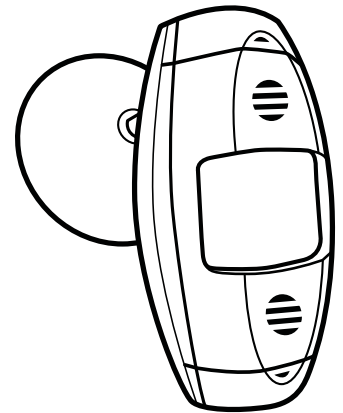
OPERATION

- 1200 square foot coverage [111m²]
- 32 kHz operation
- Self-adjusting timer settings, six-second test mode
- Accessible timer and dual sensitivity adjustment controls
- Self-adjusting circuitry adapts sensitivity and time-out for installation and usage patterns by adjusting timer and sensitivity settings when in automatic mode
- Learned and adjusted settings are saved in non-volatile memory and are not lost during power outages

Specification-Grade Occupancy Sensors

LMT H

MULTI-TECHNOLOGY SENSING HEAD



LITRONIC®

ELECTRICAL

Sensing head: Input 30mA at 24VDC. Class 2 low voltage device.

Detection method: passive infrared and ultrasound.

Use with LPCS Series power pack for stand-alone operation. Compatible with SIMPLY5™ S5SC sensor connector, digital equinox station, SYNERGY® power module or SWITCHPAK® relay panel. LPCS may not be required when using occupancy sensor with above products.

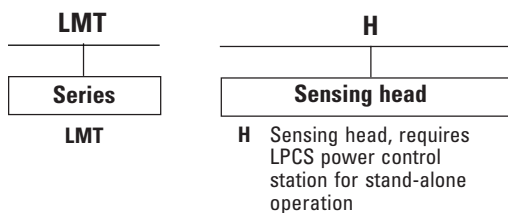
MOUNTING

Hardware supplied for acoustic tile or drywall mounting.

Optionally mounts to a 4" x 1-1/2" octagon box or wire mold round fixture box.

ORDERING INFORMATION

Example: **LMT H**



Accessories

Order as separate item

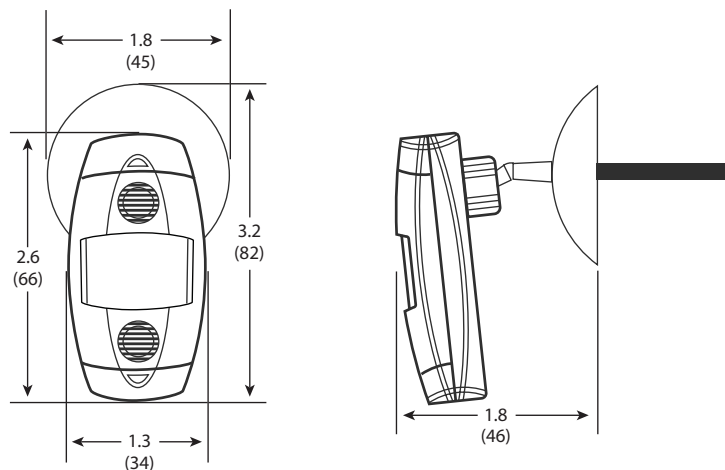
LPCS MVOLT Power control station, 120, 220 or 277 volts as required for operation of sensing head. See spec sheet LPCS.

LPCS 347 Power control station for 347 volts.

LMT H Multi-Technology Sensing Head

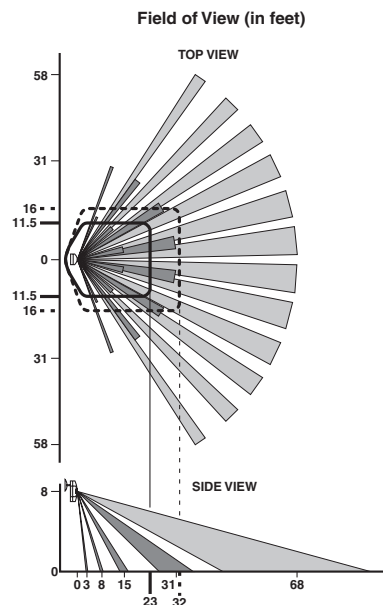
DIMENSIONS

All dimensions are in inches (millimeters).

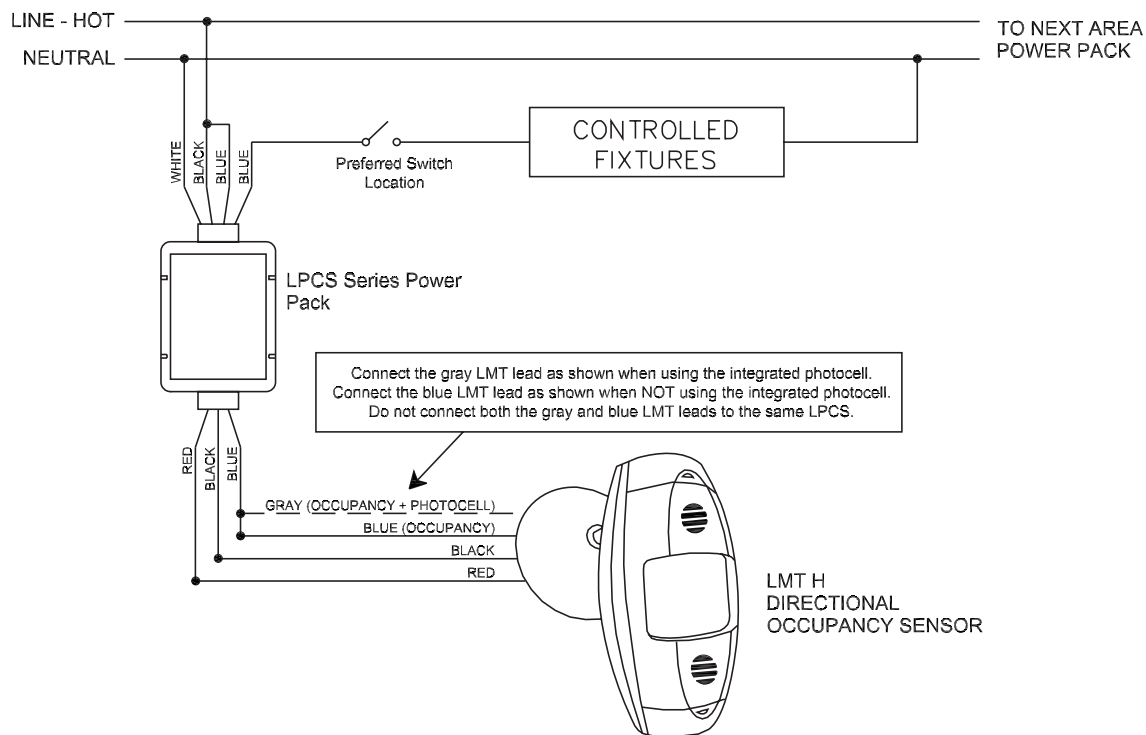


COVERAGE PATTERNS

All dimensions are in feet (meters).



WIRING DIAGRAMS



Note: Synergy Lighting Controls recommends that only rapid start or program start fluorescent ballasts be used with occupancy sensors.



An AcuityBrands Company