

Catalog Number	
Notes	Type

FEATURES & SPECIFICATIONS

The Litronic LMTO is an omni-directional ceiling-mount occupancy sensor employing both infrared and ultrasonic sensing technologies to provide effective coverage for automatic on/off lighting control in indoor applications. The sensor immediately switches the lights *on* when movement is detected. After the room is vacated for a preset length of time, the sensor will automatically switch the lights *off*.

FEATURES

- Detects occupancy in areas up to 2000 square feet (180m²)
- Infrared and ultrasonic technologies
- 32 KHz operation
- Maximum immunity to false triggering
- Dual LED motion indicators
- Hand movement coverage
- 360 degree coverage
- Simple mounting to box or ceiling tile
- Automatic sensitivity adjustment
- Automatic time-out adjustment
- Class 2 low voltage device
- 5-year warranty
- UL and CUL listed

CONSTRUCTION

- Ceiling mounting via threaded stem
- Injection-molded housing, neutral white color

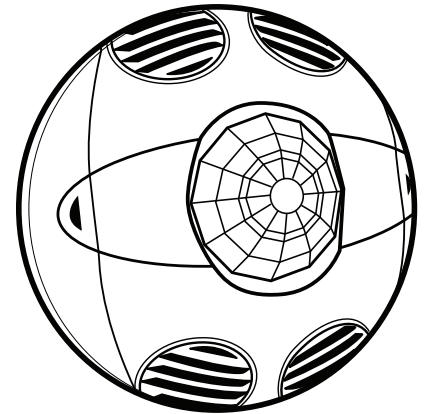
OPERATION

- 2000 square foot coverage [180m²]
- 32 KHz operation
- 30 second to 30 minute timer settings, six-second test mode
- Accessible timer and dual sensitivity adjustment controls
- Self-adjusting circuitry adapts sensitivity and time-out for installation and usage patterns by adjusting timer and sensitivity settings when in automatic mode
- Learned and adjusted settings saved in protected memory and are not lost during power outages
- PIR masking kit supplied

Specification-Grade Occupancy Sensors

LMTO

MULTI-TECHNOLOGY SENSING HEAD



LITRONIC®

ELECTRICAL

Sensing head: Input 32mA at 24VDC. Class 2 low voltage device.

Detection method: passive infrared and ultrasound.

Use with LPCS Series power pack for stand-alone operation. Compatible with SIMPLY5™ S5SC sensor connector, digital equinox station, SYNERGY® power module or SWITCHPAK® relay panel. LPCS may not be required when using occupancy sensor with above products.

MOUNTING

Hardware supplied for acoustic tile or drywall mounting

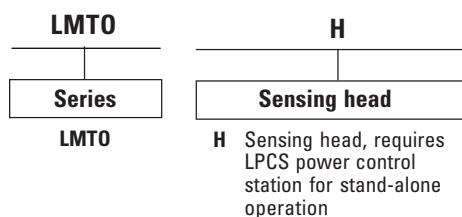
Optionally mounts to a 4" x 1-1/2" octagon box or wire molded round fixture box.

CERTIFICATION

California Title 24 certified.

ORDERING INFORMATION

Example: **LMTO H**



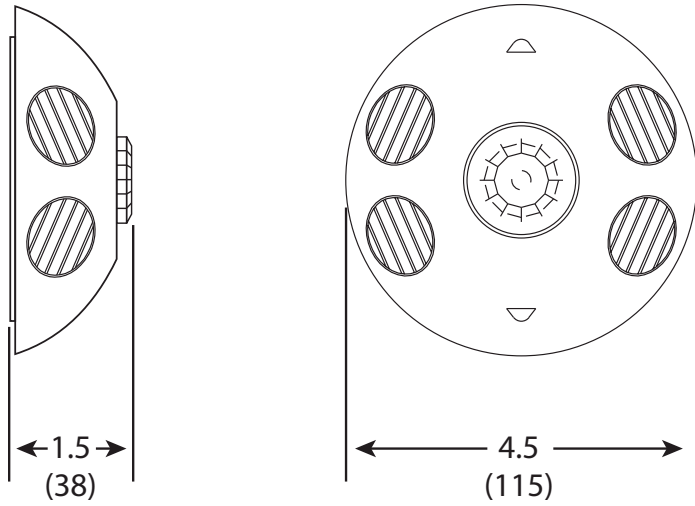
Accessories

Accessories	
Order as separate item	
LPCS MVOLT	Power control station, 120 or 277 volt. Includes 20 amp relays and provides 24 VDC as required for operation of sensing head.
LPCS 347 DCO	Power control station, 347 volts. Includes 15amp/347 volt rated relay and provides 24 VDC to operate sensing head and isolated Dry Contact Output for HVAC and other signaling.
LPCS MVOLT DCO	Power control station, 120 or 277 volt. Includes 20 amp relay, provides 24 VDC to operate sensing head and isolated Dry Contact Output for HVAC and other signaling.
LPCS BASE MVOLT	Box mounted self-contained power control stations, 120 or 277 volt. Includes 15amp switching relay and provides 24 VDC to operate sensing head. Sensing head mounts direct to base for self-contain sensor installation.
LAR MVOLT	Auxiliary Relay, 120 to 277 volt secondary 15 amp switching output, no power supply.
LCAGE	Heavy gauge welded steel cage with white rustproof coating to protect ceiling mounted sensing heads in high abuse installations like gymnasiums and locker rooms.

LMTO Multi-Technology Sensing Head

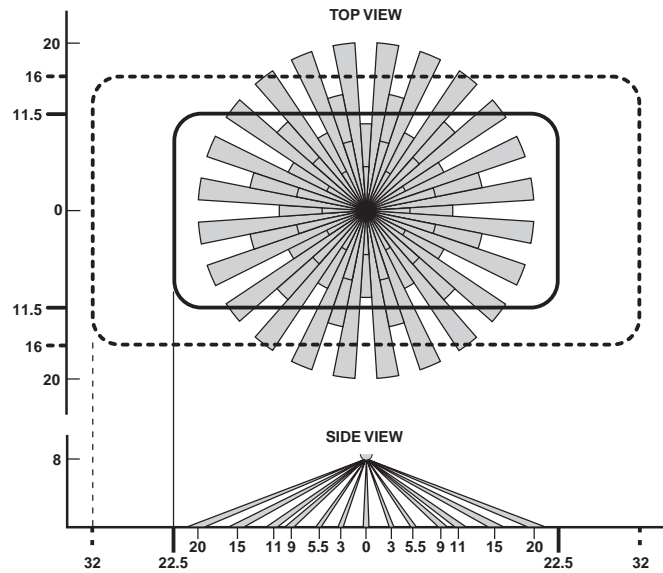
DIMENSIONS

All dimensions are inches (millimeters). Subject to change without notice.

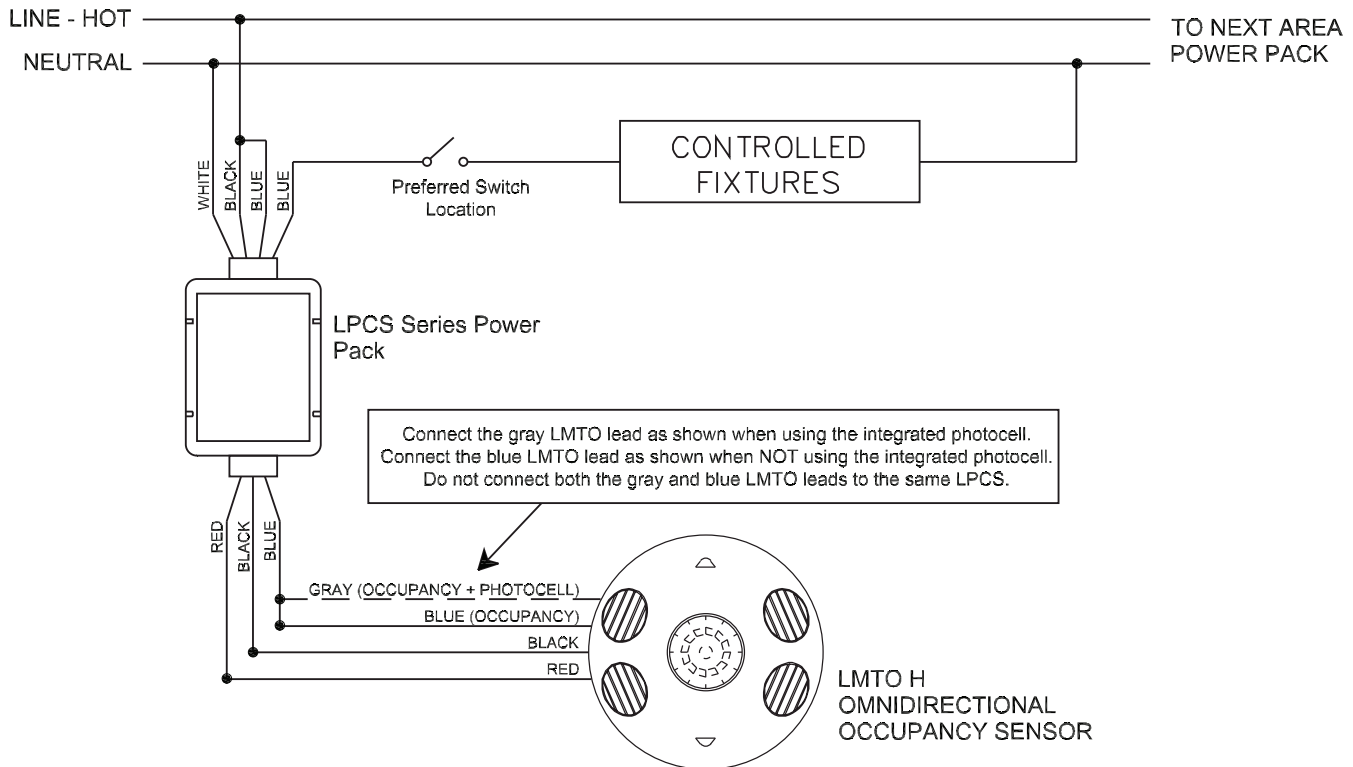


COVERAGE PATTERNS

Based on an 8' (2.4) ceiling height. All dimensions are in feet (meters).



WIRING DIAGRAM



Note: Synergy Lighting Controls recommends that only rapid start or program start fluorescent ballasts be used with occupancy sensors.