



Catalog Number	
Notes	Type

FEATURES & SPECIFICATIONS

INTENDED USE

Synergy Lighting Controls' LMTW combines Passive Infrared (PIR) and Ultrasonic (US) Multi-Technology with all-digital architecture to minimize false triggering. The result is a trouble-free, "install and forget" solution for wall box occupancy sensor lighting control. The LMTW Multi-Technology Decora Style Wall Switch Occupancy Sensor is used to provide automatic lighting control for energy savings and convenience in a variety of commercial applications, including:

- Private and Executive offices • Conference rooms
- Storage areas • Restrooms • Classrooms • Lounges
- Training areas

The LMTW provides for automatic switching of incandescent lamps, low-voltage lighting with electronic and magnetic transformers, and electronic and magnetic fluorescent ballasts. The LMTW features a manual override switch that can be used to keep lights OFF while an area is occupied, which may be desired in conference rooms, classrooms and other areas during video presentations. Designed to replace a single-pole Decora wall switch, it fits in a standard wall box. The unit requires a neutral and a ground connection.

OPERATION

The PIR portion gives immunity to false ON through a specialized lens which divides the field of view into sensor zones.

When a person passes into or out of a sensor zone, the sensor detects motion and switches the lights ON. The US sensors give maximum sensitivity and range in difficult spaces with irregular shaped rooms and partitions that can block the PIR field of view. A pair of US sensors will detect Doppler shifts caused by motion in a space. These sensors are more sensitive to small movements since they do not rely on zones. Sensitivity can be field adjusted to Low-Medium-High. This feature makes the LMTW perfect for a wide variety of room sizes and configurations.

[®]Decora is a registered trademark of Leviton.

Specification-Grade Occupancy Sensors

LMTW

MULTI-TECHNOLOGY WALL-MOUNT SENSOR



Shown with optional DSA FP DI WH screwless faceplate.

LITRONIC[®]

Example: **LMTW MVOLT WH**

ORDERING INFORMATION

Choose the boldface catalog nomenclature that best suits your needs and write it on the appropriate line. Order accessories as separate catalog number.

LMTW		
Series	Voltage	Color
LMTW	MVOLT 120-277	WH White IV Ivory

Accessories:

Order as separate item.

DSA FP D# IV Ivory screwless faceplate for LIRW or Decora[®] compatible devices. Specify number of gangs from one to six devices.

DSA FP D# WH White screwless faceplate for LIRW or Decora[®] compatible devices. Specify number of gangs from one to six devices.

FEATURES

- Self-Adaptive Technology: Callbacks for adjustment are eliminated. Time delay and sensitivity settings are continually adjusted to occupant patterns of use in auto adapt mode.
- Exclusive Walk-through Feature: Provides increased energy savings by not leaving the lights ON for an extended period after only momentary occupancy.
- Maximum Reliability, Low Cost: All digital circuitry uses a minimum of components.
- Convenient Push-Button: Provides manual ON/OFF light switching at any time.
- Fast, Simple Installation: Fits in a standard wall box and replaces a single-pole wall-switch; neutral and ground connection required. Sensor can be ganged together with other units in a multiple-switch wall plate.
- Adjustable Horizontal Field of View (PIR): May be adjusted between 180° and 32° of arc by using integral blinders located on either side of the lens.
- Optional Manual Adjustment for Delayed-OFF Time Settings: Allows customized adjustments to maximize energy savings.
- Ambient Light Recognition: Integrated photocell prevents lights from turning on when the room is adequately illuminated by natural light.
- Small Motion Sensitivity (US): The ultrasonic technology provides excellent small motion sensitivity.
- True Zero-Cross Relay: Switches at the zero crossing point of the AC power curve to ensure maximum contactor life and compatibility with electronic ballasts.

LMTW Infrared Wall-Mount Sensor, Litrionic

ELECTRICAL SPECIFICATIONS

Input Voltage:	120/277 VAC, 60 Hz
Ultrasonic Operating Frequency:	40 kHz
Load Rating:	Incandescent/Tungsten: 800W @ 120V Fluorescent: 1200VA @ 120V, 2700VA @ 277V Motor: 1/4 HP @ 120V
Wire Designation:	Line—Black; Load—Blue Ground—Green; Neutral—White

ENVIRONMENTAL SPECIFICATIONS

Operating Temperature Range:	0°C to 50°C
Storage Temperature Range:	-10°C to 85°C
Relative Humidity:	20% to 90% non-condensing

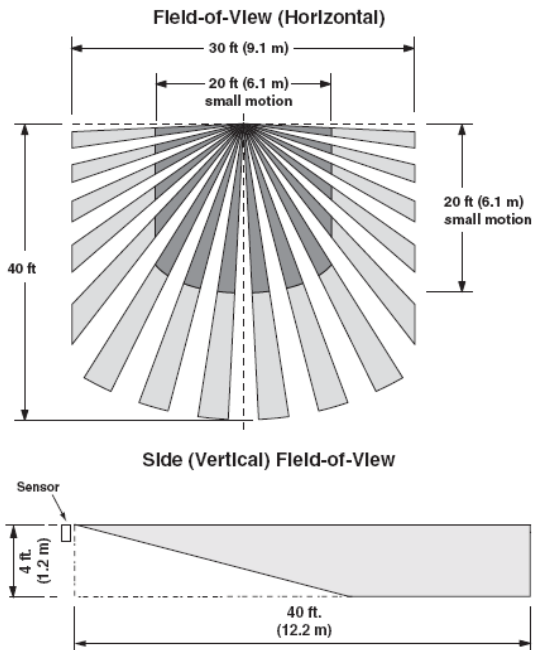
PHYSICAL SPECIFICATIONS

Size:	4.06" H x 1.75" W x 1.85" D, (103.2mm x 44.4mm x 47.2mm)
Colors:	White, Ivory
Listings:	UL and cUL listed, CEC Title 24 Compliant, FCC Compliant

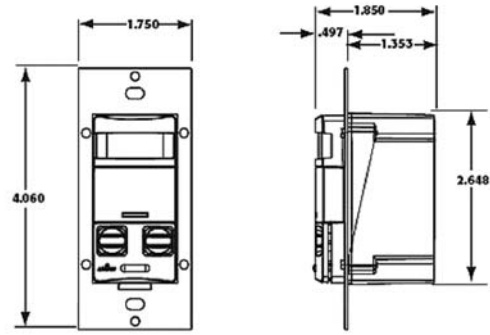
Limited 5-Year Warranty

COVERAGE PATTERNS

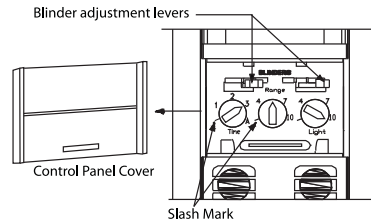
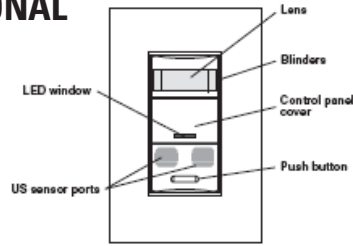
The LMTW provides a 180° field of view with a maximum coverage area of approximately 1200 square feet. The maximum sensing distance in front of the sensor is 40 feet, and at each side is 30 feet. A "small-motion" zone detects relatively small body movements and allows the lights to stay ON even though a person may not be moving or walking around the room. The remainder of the field of view, the "large-motion" zone, exhibits a lesser degree of sensitivity and requires larger movements.



DIMENSIONS



FUNCTIONAL



WIRING DIAGRAM

