



Catalog Number	
Notes	Type

FEATURES

Lithonia-supplied transfer equipment is used to transfer lighting loads from a dimmed or switched normal power source to an alternate power source upon failure of the normal source. The lighting load is returned to its pre-outage level after restoration of the normal source.

UL 1008 Listed Version Features:

- Automatic transfer switch.
- Assures continuous power for emergency systems.
- 30-amp contacts rated for switching one load between two sources.
- 20 times in-rush current rating.
- NEMA 1 enclosure.
- Neutral switching standard.
- 70% dropout, 90% pickup.
- Three-phase sense standard.
- Mechanically held in normal and emergency position.

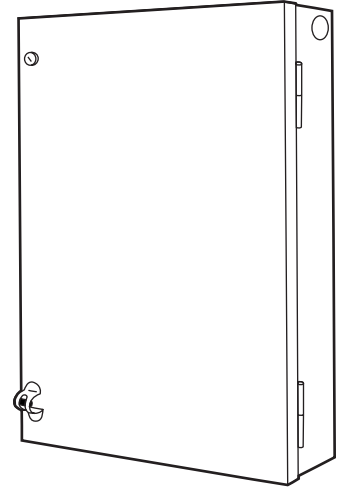
UL 30541 Listed Version Features:

- Automatic transfer of normal to standby supply.
- Dependable double throw control of lighting circuits.
- 30-amp contacts rated for switching one load between two sources.
- 30-amp tungsten, ballast and general contact rating at 120 and 277 volts.
- NEMA 1 enclosure.
- Neutral switching standard.
- Suitable for installations where continuous lighting is a necessity.

Dimming Systems Accessories

LSA EB

Emergency Transfer



ORDERING INFORMATION

Example: **LSA EB 4 POLE 120 ATS**

LSA EB			
Series	Maximum number of poles	Sensed voltage	Options
	2 POLE	120	ETR Emergency transfer relay UL30541 listed (3 POLE only)
	3 POLE	277	ATS Automatic transfer switch UL1008 listed (not available in 3 POLE)
	4 POLE	480 *	
	6 POLE	* ETR only	
	12 POLE		

NOTE:

The coil of the transfer switch must be fed with a constant output circuit breaker in the dimmer cabinet or main ATS for the building.

LSA EB Emergency Transfer

SPECIFICATIONS

FUNCTION

Provides transfer of load circuit(s) from normal (dimmer or relay output) to emergency supply upon loss, or under voltage condition of normal power. UL 1008 rating provides reliable operation and compliance with strict Life Safety Codes. UL 30541 provides dependable operation. Refer to Article 700, 701, 702 and 518 of the National Electric Code for information about emergency lighting, standby systems and places of assembly.

ELECTRICAL

Transfers the following lighting circuits:

Single phase, 2-Wire

Multiphase with common neutral

Multipole with common neutral

MECHANICAL

Surface-mount NEMA 1, hinged-cover enclosures.

14-gauge steel, gray enamel finish; all components mounted to removable interior panel.

ENVIRONMENTAL

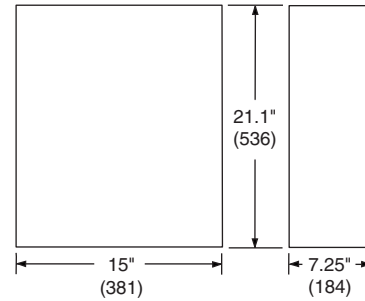
Operational temperature 32-104°F (0-40°C)

Humidity 10-90%, non-condensing

DIMENSIONS

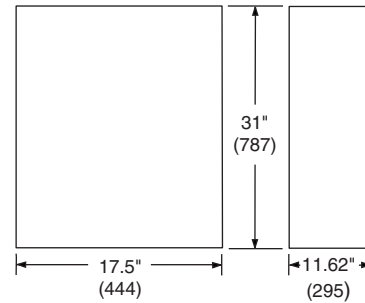
All dimensions are inches (millimeters).

ETR



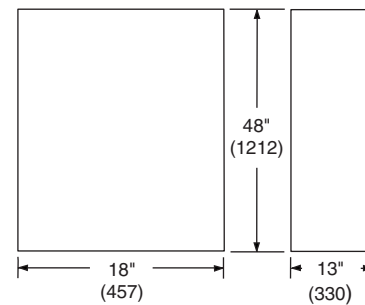
ATS

2 - 12 POLE



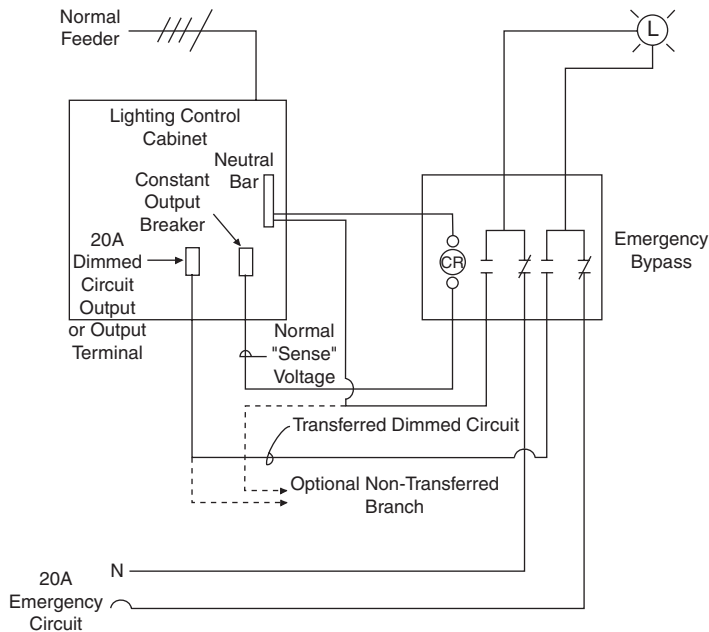
ATS

24 POLE



WIRING DIAGRAM

Single Phase Two-Wire Transfer



An Acuity Brands Company

Lithonia Lighting

Acuity Lighting Group, Inc.

Lighting Controls Systems

One Lithonia Way, Decatur, GA 30035

Phone: 800-533-2719

In Canada: 1100 50th Ave., Lachine, Quebec H8T 2V3

www.lithonia.com