



Catalog Number	
Notes	Type

FEATURES & SPECIFICATIONS

The Litronic LUSO series is an omni-directional ceiling-mount occupancy sensor employing ultrasonic sensing technology to provide effective coverage for automatic on/off lighting control in indoor applications. The sensor immediately switches the lights on when movement is detected. After the room is vacated for a preset length of time, the sensor will automatically switch the lights off.

FEATURES

- Detects occupancy in areas up to 2000 square feet (180m²)
- Ultrasonic sensing technology
- 32 kilohertz operation
- LED motion indicator
- Integral photocell control
- 360 degree coverage
- Simple mounting to box or ceiling tile
- Automatic sensitivity adjustment
- Automatic time-out adjustment
- Class 2 low-voltage device
- Five-year warranty
- UL and CUL listed

CONSTRUCTION

- Ceiling mounting via threaded stem and twist-lock attachment
- Injection-molded housing, neutral white color

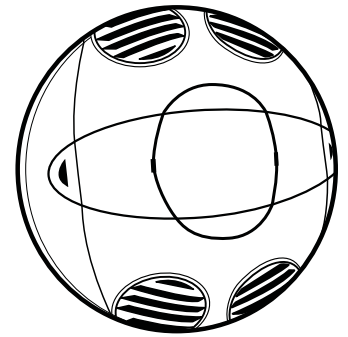
OPERATION

- Up to 2,000 square foot coverage (180m)
- 32 kHz operation
- 30 second to 30 minute timer settings, six second test mode
- Integrated photocell can be used to prevent lights from turning on when room adequately lit by natural light
- Accessible timer and sensitivity adjustment controls
- Self-adjusting circuitry adapts sensitivity and time-out for installation and usage patterns by adjusting timer and sensitivity settings when in automatic mode
- Learned and adjusted settings saved in protected memory are not lost during power outages

Specification-Grade Occupancy Sensors

LUSO

ULTRASONIC SENSING HEAD



LITRONIC®

ELECTRICAL

Sensing head: Input 32 mA at 24VDC, Class 2 low voltage device. Short circuit protected.

Detection method: Ultrasonic.

Use with LPCS Series power pack for stand-alone operation. Compatible with SIMPLY5™ S5SC sensor connector, Synergy distributed controls, SYNERGY® power module, or SWITCHPAK® relay panel. LPCS may not be required when using occupancy sensor with above products.

MOUNTING

Hardware supplied for acoustic tile or dry wall mounting.

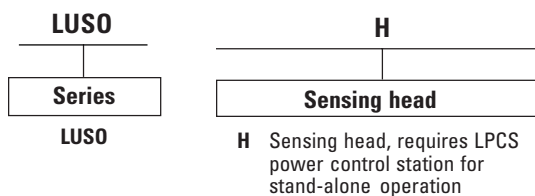
Optionally mounts to 4" x 1-1/2" octagon box or wire mold round fixture box.

CERTIFICATION

California Title 24 certified.

Example: **LUSO H**

ORDERING INFORMATION



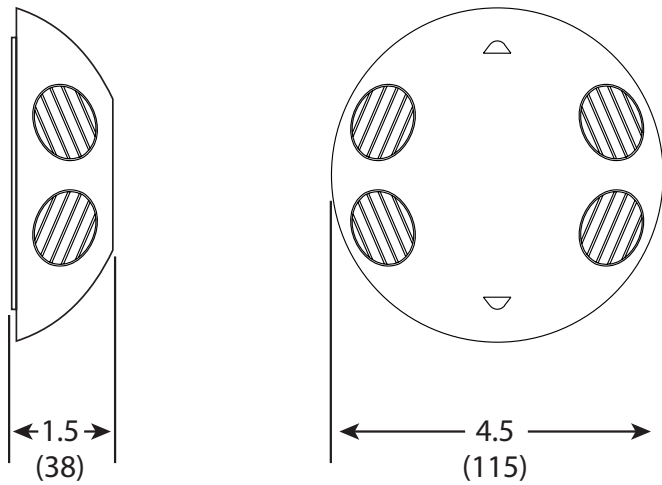
Accessories

Accessories	
	Order as separate item
LPCS MVOLT	Power control station, 120 or 277 volt. Includes 20 amp relays and provides 24 VDC as required for operation of sensing head.
LPCS 347 DCO	Power control station, 347 volts. Includes 15amp/347 volt rated relay and provides 24 VDC to operate sensing head and isolated Dry Contact Output for HVAC and other signaling.
LPCS MVOLT DCO	Power control station, 120 or 277 volt. Includes 20 amp relay, provides 24 VDC to operate sensing head and isolated Dry Contact Output for HVAC and other signaling.
LPCS BASE MVOLT	Box mounted self-contained power control stations, 120 or 277 volt. Includes 15amp switching relay and provides 24 VDC to operate sensing head. Sensing head mounts direct to base for self-contained sensor installation.
LAR MVOLT	Auxiliary Relay, 120 to 277 volt secondary 15 amp switching output, no power supply.
LCAGE	Heavy gauge welded steel cage with white rustproof coating to protect ceiling mounted sensing heads in high abuse installations like gymnasiums and locker rooms.

LUSO Ultrasonic Sensing Head

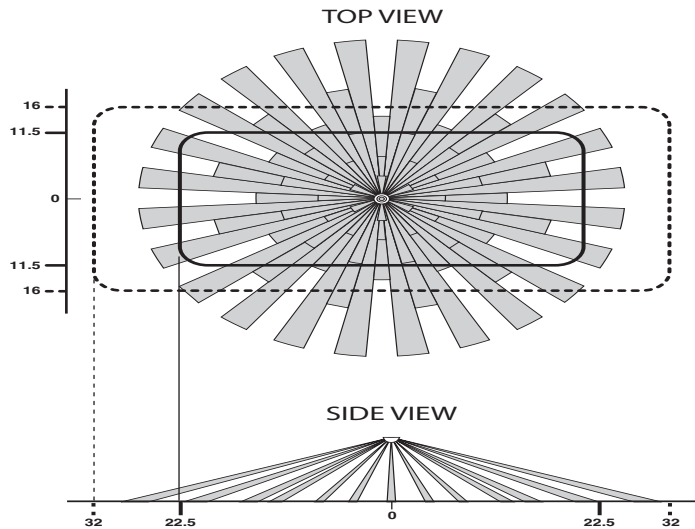
DIMENSIONS

All dimensions are inches (millimeters). Subject to change without notice.

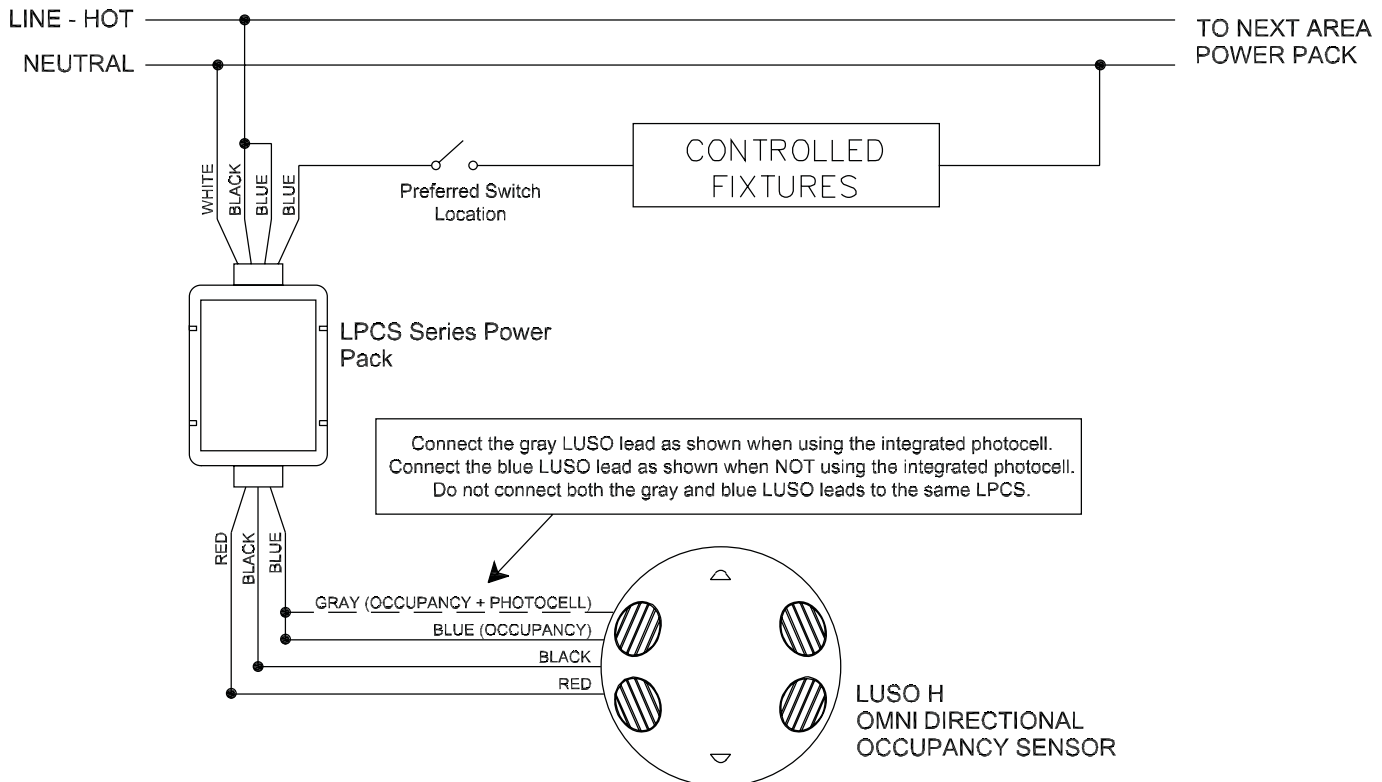


COVERAGE PATTERNS

Based on an eight-foot (2.4) ceiling height. All dimensions are in feet (meters).



WIRING DIAGRAM



Note: Synergy Lighting Controls recommends that only rapid-start or program start fluorescent ballasts be used with occupancy sensors.



An **Acuity Brands** Company