

Catalog Number	
Notes	Type

FEATURES

Synergy Lighting Controls LVPS (Low Voltage Push-button Switch) provides a durable and attractive solution to override lighting controlled by Synergy Lighting Controls Systems. The LVPS is a Decora[®] style switch and uses standard Decora Wallplates for single or multi-gang applications. A pilot light is provided for both switches, they can be configured as one switch for ON (top push button w/pilot) and the other switch for OFF (bottom push button, no pilot) or they can control two separate lighting zones with each switch toggling a zone(s) on and off, with separate pilot lamps for both alternate action switches. A terminal block is provided for all low voltage connections, eliminating the need for traditional spade type connectors or wire nuts.

Use with Synergy[®] or SwitchPAK[®] lighting control panels.

OPERATION

- Fits in single-gang wall box, 2" deep
- Use standard DECORA[®] wall plate (not included)
- Fits side-by-side for multi-gang routing
- 2 or 4 normally-open momentary switches
- Low power LED indicator in each button
- Locator (night light) LED
- Class 2, low voltage
- Clear button cap removable from the front
- Label/symbol can be placed in button cap
- Low power LED reduces wire gauge requirement

SPECIFICATIONS

FUNCTIONAL

- Designed to mount in standard 2" deep wall box with Decora wallplate
- Each switch assembly consists of single-pole/single-throw contacts with shared common and provides closure to relay panel switch inputs or other compatible devices.

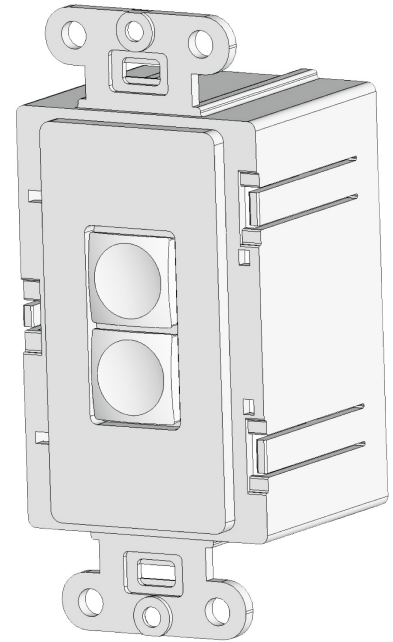
ELECTRICAL

- Contacts rated 32VDC, 50mA DC
- Contacts normally open, not interlocked
- Contacts rated for 5,000,000 activations
- LED rated for 100,000 operating hours
- Pilot LED current requirement: 8mA @ 20VDC
9mA @ 24VDC
Locator LED 2mA @ 24VDC

Lighting Control System

LVPS

Low Voltage Push-button Switch



ORDERING INFORMATION

Choose the boldface catalog nomenclature that best suits your needs and write it on the appropriate line. Order accessories as separate catalog number.

Example: **LVPS 2BT WH**

LVPS		
Series	Number of buttons	Color
LVPS	2BT 2 buttons 4BT 4 buttons	IV Ivory WH White

Accessories

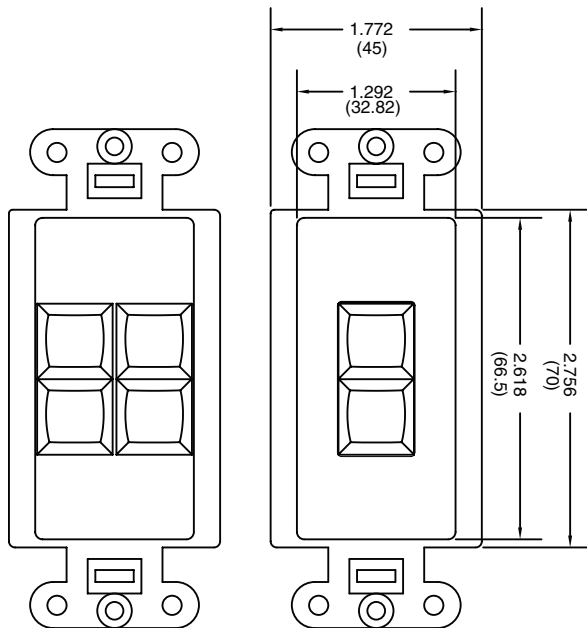
Order as separate catalog number.

DSA FP D#-__ Screwless thermoplastic Decora style wallplate.

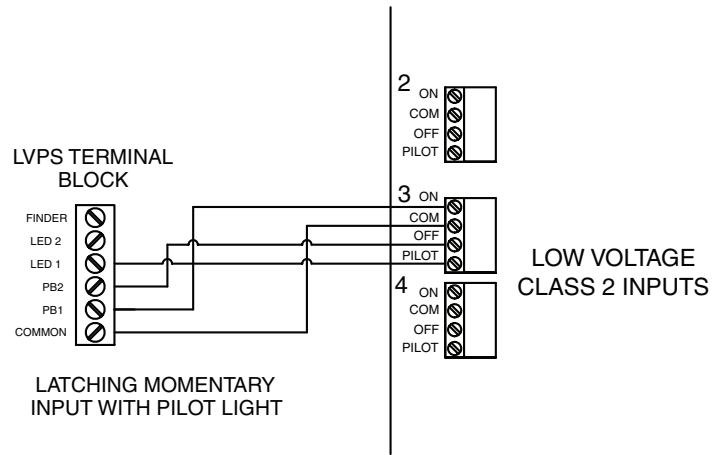
LVPS Low Voltage Override Switch

DIMENSIONS

All dimensions are inches (millimeters).

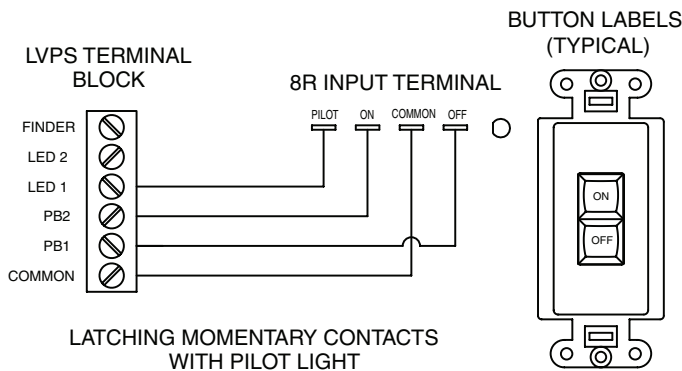


LOW VOLTAGE CONNECTIONS (TYPICAL)

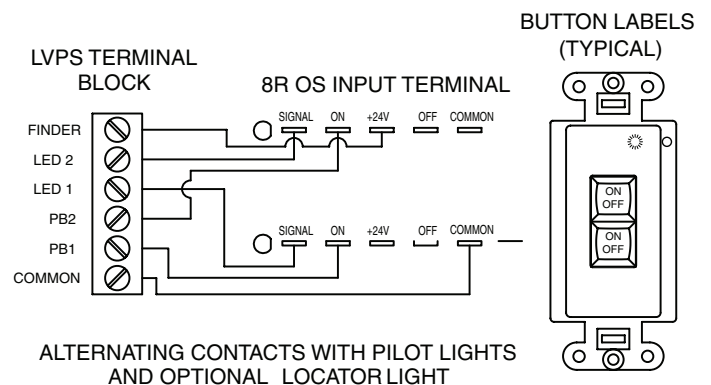
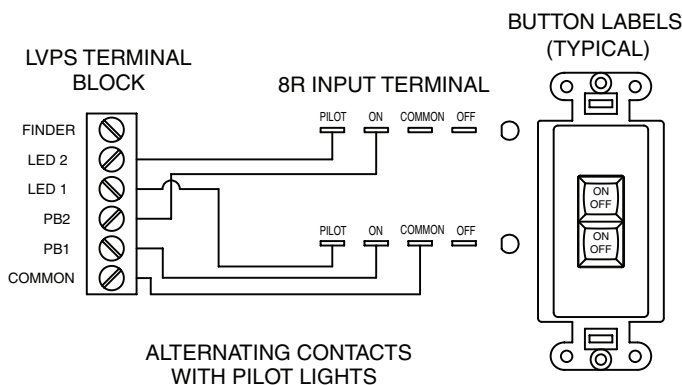
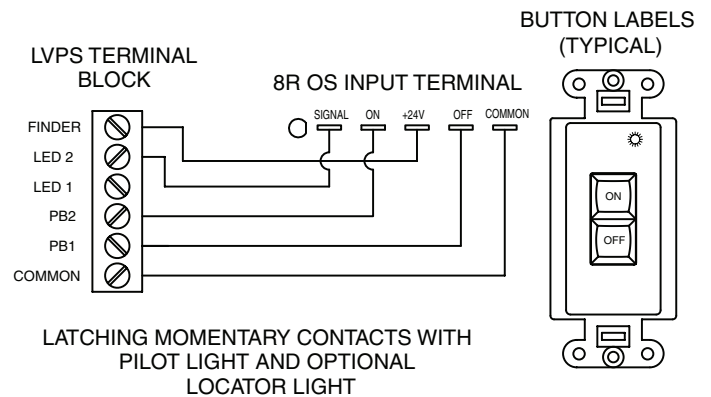


WIRING DIAGRAM EXAMPLES

SYPM 8R WIRING DIAGRAMS



SYPM 8R OS WIRING DIAGRAMS



An AcuityBrands Company