



Catalog Number	
Notes	Type

## FEATURES

The Switching Photocell is a self-contained light-level sensor that uses an internal photoconductor cell to measure light levels. The photocell turns lighting systems OFF when natural light levels reach the user-specified setting. The time delay and deadband feature prevent cycling. The photocell may be connected to a Synergy analog input or directly to an LPCS power pack for on/off control.

- Adjustable time delay
- Adjustable ON light level
- Adjustable OFF deadband feature
- LEDs indicate unit status
- Low voltage class-2 wiring
- Powered from relay cabinet or LPCS power pack
- Class 2 device

## Circuit Switching Accessories

# RC PC

## SWITCHING PHOTOCELL




---

## ORDERING INFORMATION

Catalog Number	Description
<b>RC PC IN</b>	Switching Photocell for indoor applications

# RC PC Switching Photocell

## SPECIFICATIONS

### PHYSICAL

- Indoor - mounts directly to ceiling tile or other surface.

### PERFORMANCE

- Sensing range: indoor 10-200 FC.
- Adjustable time delay: three seconds to five minutes.

### ELECTRICAL

- Voltage: 24V DC supplied by panel. Control output; 120 mA current maximum.

Specifications subject to change without notice.

## DIMENSIONS

All dimensions are inches (millimeters)

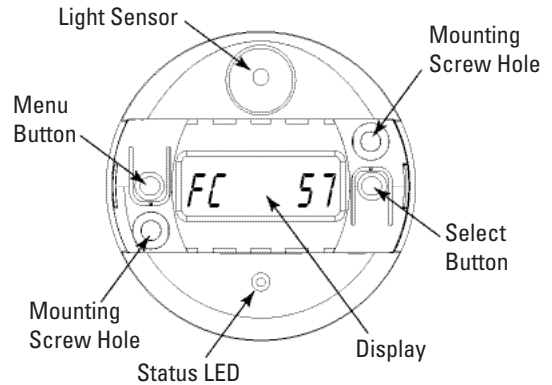
Indoor: 2-1/2" L x 2-1/2" W x 3/4" D

## APPLICATION INFORMATION

The deadband feature prevents lighting systems from cycling. If light levels fall below the set ON level, the LED will be red and the lights will turn ON when the user-specified time delay has expired. Light levels will increase until the OFF level is reached.

The user-set OFF level should be twice the electric lighting level plus 5 percent. If light levels exceed the OFF level, the LED will turn green and the lights will switch OFF when the time delay has expired.

## FUNCTIONAL



## WIRING DIAGRAM

