



Catalog Number	
Notes	Type

FEATURES

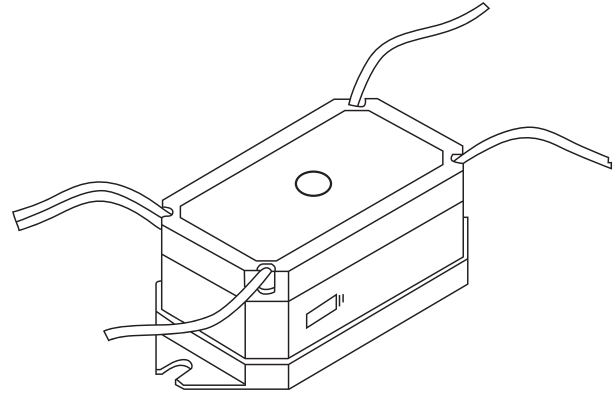
The RRU provides an interface between a line voltage normal power sense circuit and the low voltage remote override input on Synergy SYPM power modules. All connected SYPM modules will be overridden to full ON if normal power falls below 90% of nominal voltage.

- Works in conjunction with Synergy SYPM power modules
- One RRU is needed for each Synergy cabinet to be overridden
- Available to sense either 120VAC or 277VAC normal power
- 90% nominal input voltage drop out
- SPDT low voltage dry contact outputs rated for 10 Amps
- UL 924 listed

Lighting Control System

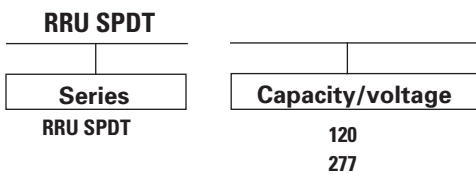
RRU SPDT

SPDT Normal Power Sense Relay



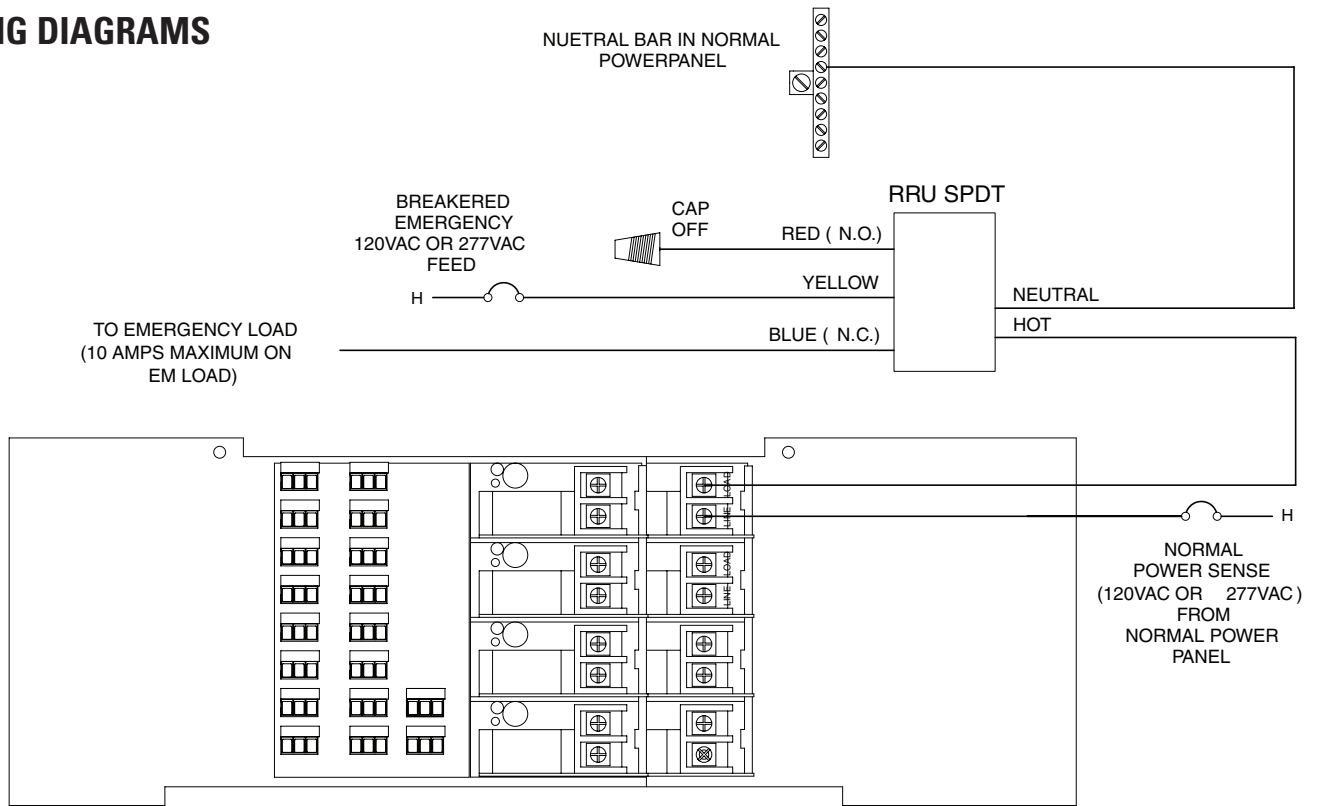
ORDERING INFORMATION

Example: **RRU SPDT 277**

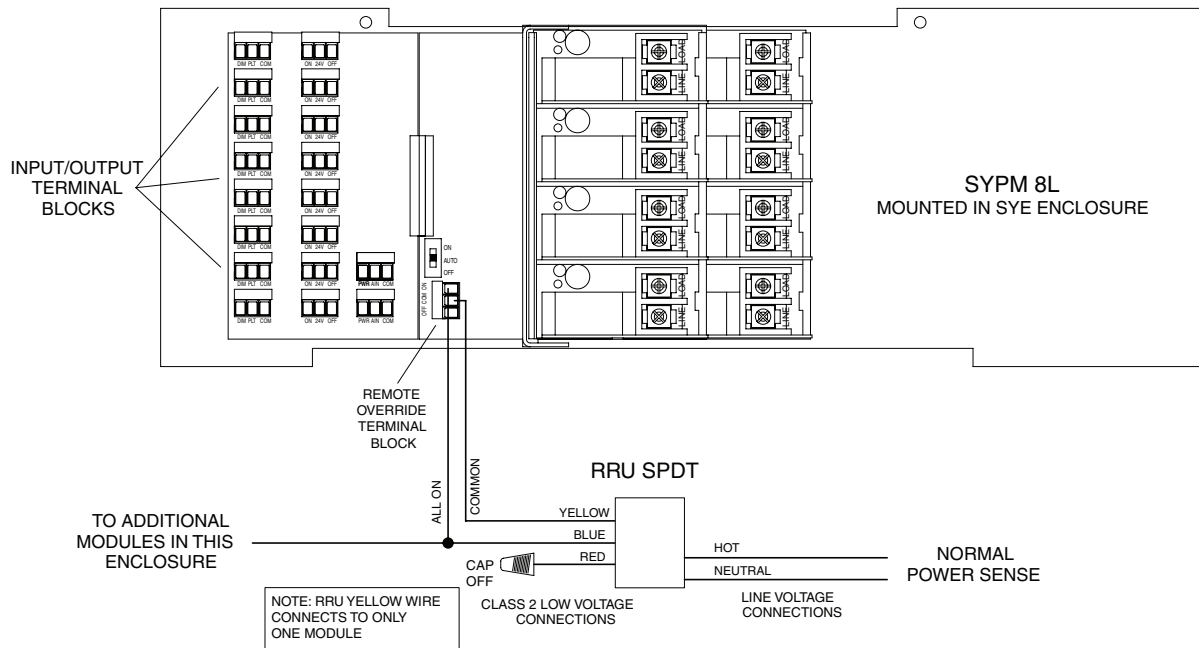


RRU SPDT 120/277 SPDT Normal Power Sense Relay

WIRING DIAGRAMS



SYPM 8L EMERGENCY BYPASS



ALL RELAYS ON CONNECTED MODULES WILL BE FORCED TO "ON" STATE IF NORMAL POWER CIRCUIT FALLS BELOW 90% OF NOMINAL VOLTAGE

SYPM 8L EMERGENCY OVERRIDE



An AcuityBrands Company